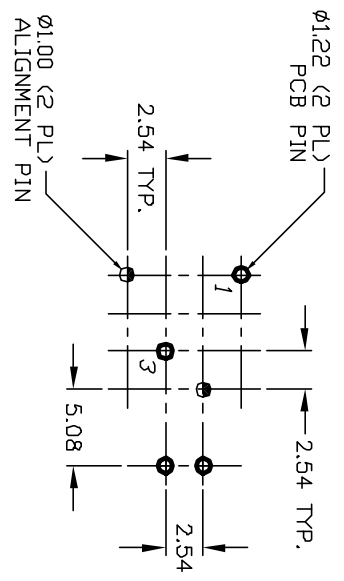
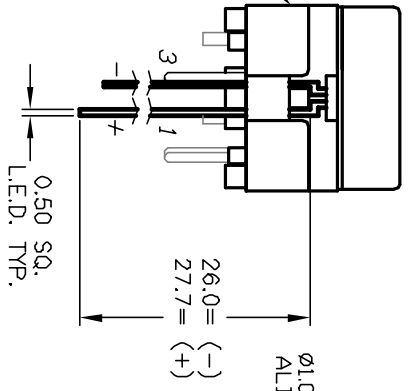
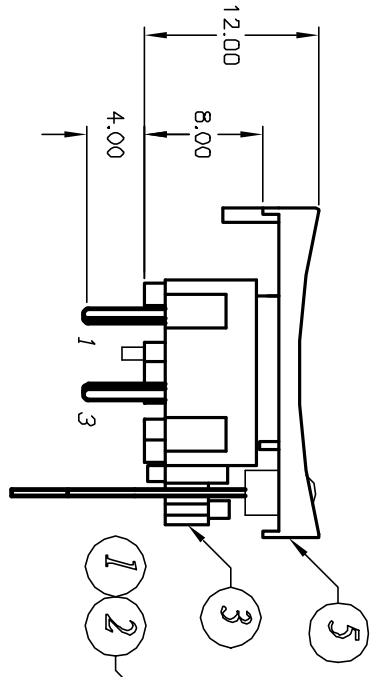
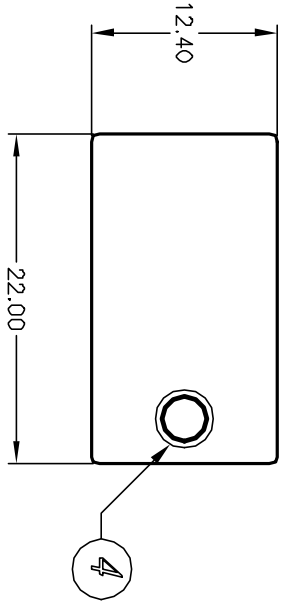
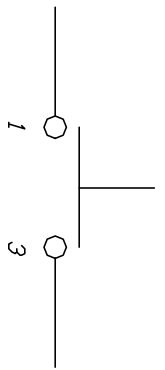


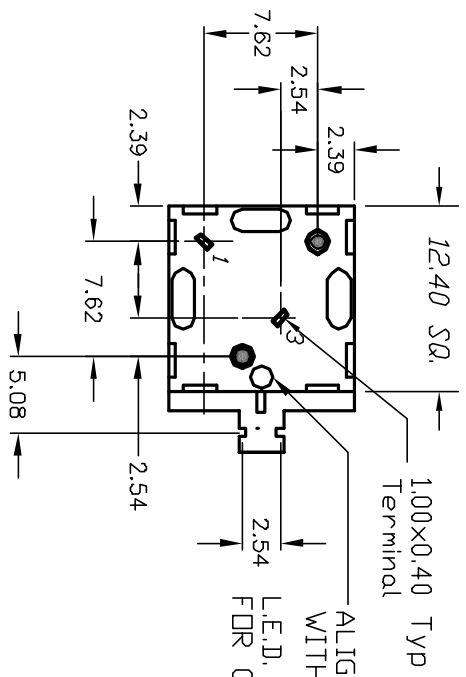
Item	Qty.	Dwg. No.	Part No.
1	1	B01ME11	320 E1-1 BODY
2	1	B050001	320 E1-1 CONTACT
3	1	B070001	320.2 LED HOLDER
4	1	D062004	RED L.E.D.
5	1	B042006	320.2 CAP GRN



RECOMMENDED P.C.B. LAYOUT



CIRCUIT: SPST



ALIGN LED HOLDER WITH STUD  
L.E.D. SHOWN REMOVED FOR CLARITY

- NOTES:
1. ALL DIMENSIONS IN MM
  2. GENERAL TOLERANCE: X.X=±0.4  
X.XX=±0.25
  3. TERM. NOS. FOR REF. ONLY
  4. CONTACT RATING: 25mA/50V DC.
  5. TRAVEL: 0.7mm
  6. OPERATING FORCE: 120gf.
  7. LED SPECIFICATION
- FORWARD VOLTAGE:  $I_f = 2.0V$



A	12550	RELEASED FOR PRODUCTION	11/11/02	CB
REV.	ECN No.	DESCRIPTION	DATE	CHKD

TITLE	SCALE	DATE	DR	DWG	REV
320.2 E1-1 GRN (W/RED LED)	2:1	--	--	XB0673A	A

THE INFORMATION CONTAINED IN THIS DOCUMENT IS PROPRIETARY TO E-SWITCH AND IS NOT TO BE COPIED OR TRANSMITTED