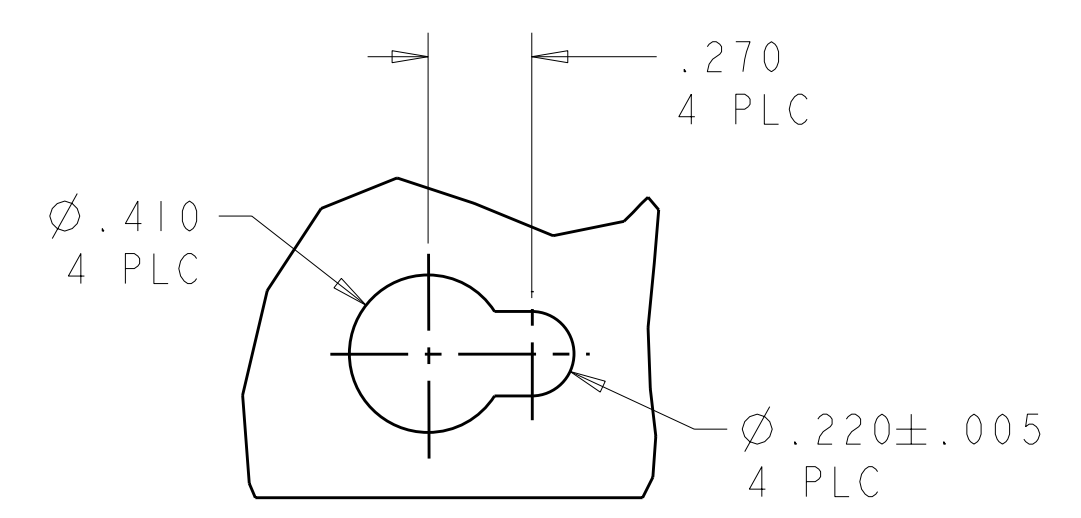
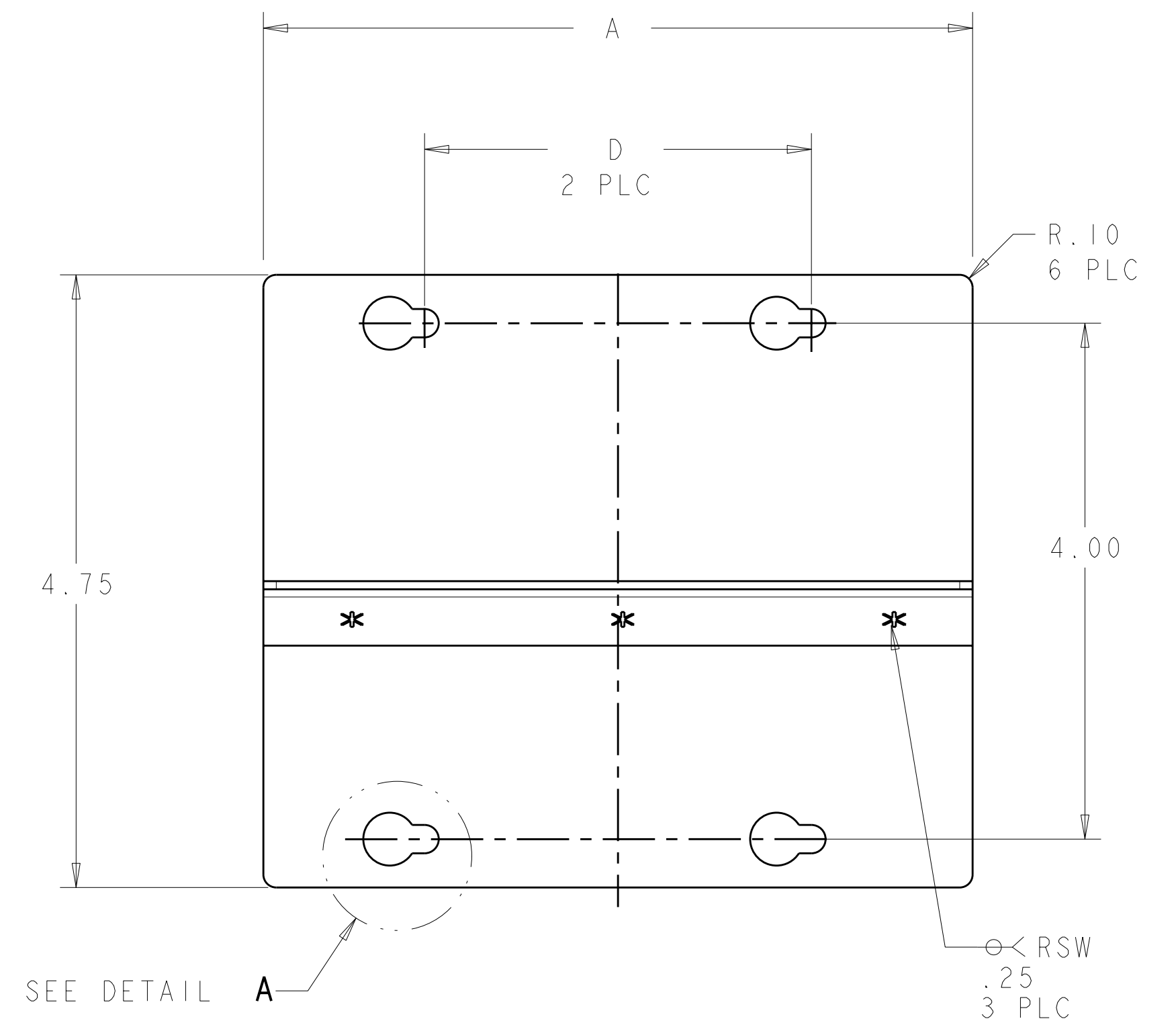


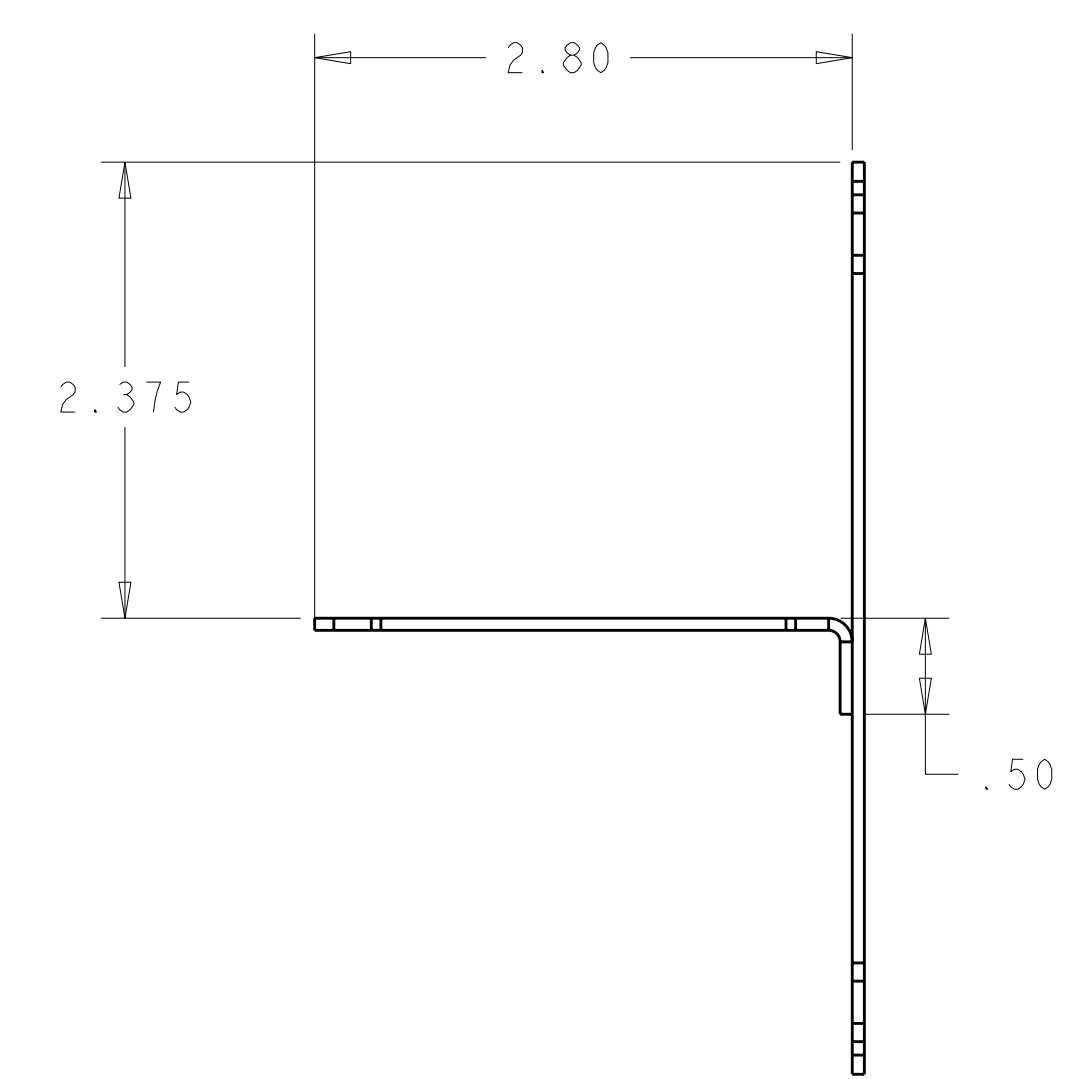
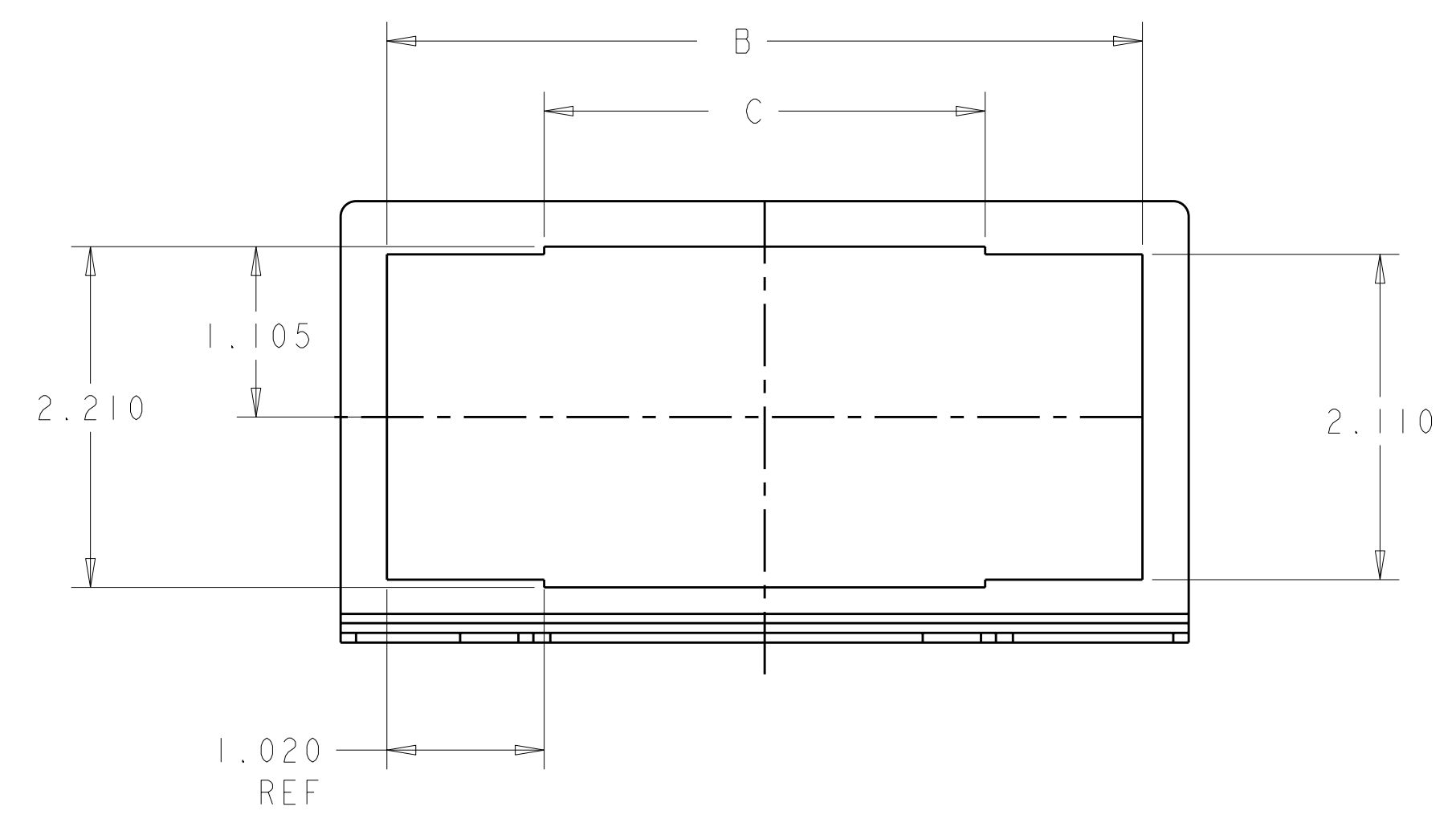
LOC	DIST	REVISIONS					
		P	LTR	DESCRIPTION	DATE	DWN	APVD
HM	00	A		NSD08-050	11JUN2008	JB	SJ
		B		REV: ECO-08-031885	22DEC2008	GG	SJ



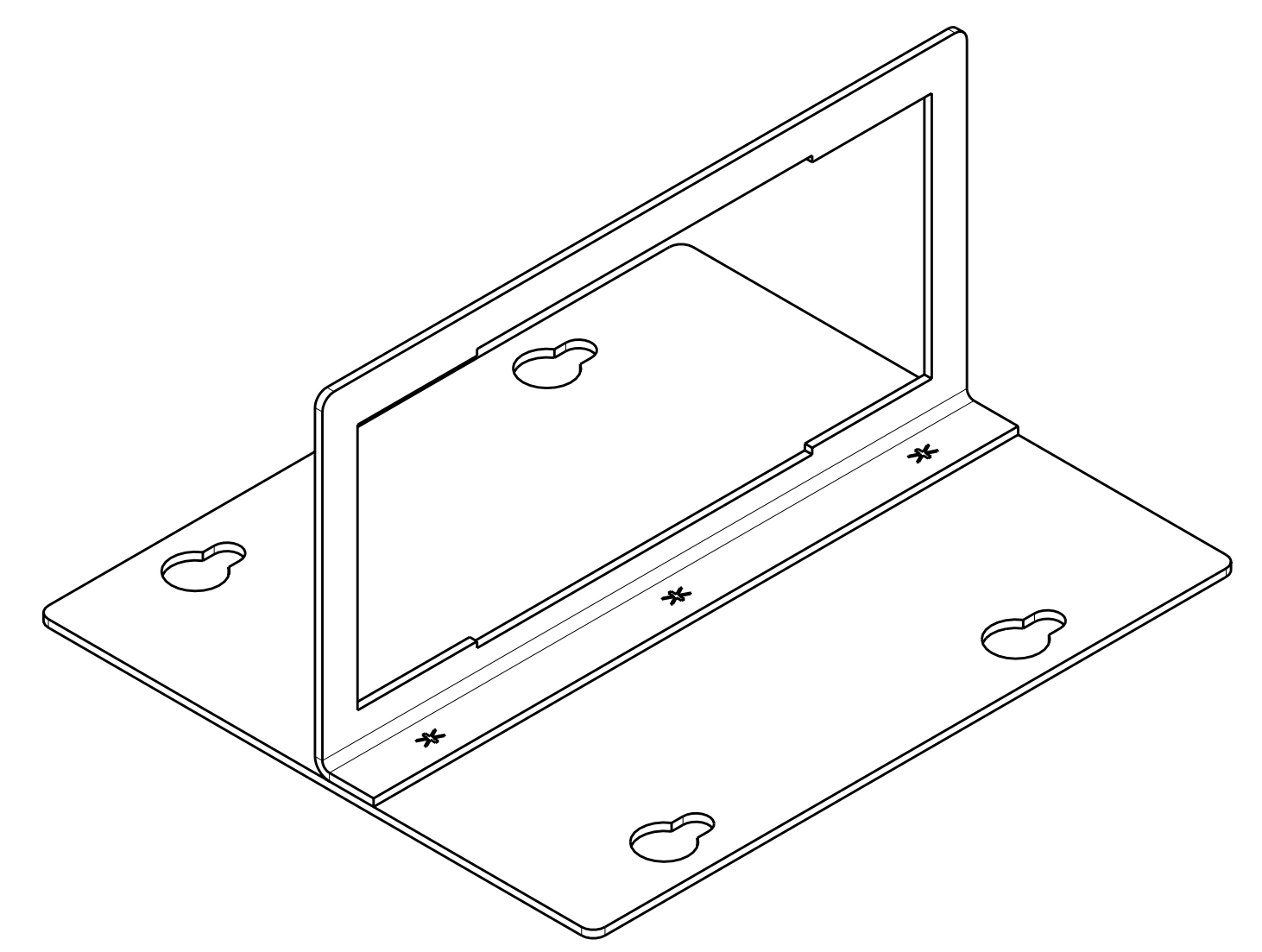
DETAIL A
SCALE 2:1



SEE DETAIL A



- 1 DIMENSIONS ARE NOMINAL UNLESS OTHERWISE SPECIFIED.
- 2 MATERIAL: PREGALVANIZED CARBON STEEL.
- 3 APPLICATION: USE BRACKET WITH AMPINERGY SNAP-IN STYLE JUNCTION BOX (NOT INCLUDED) TO PROVIDE SURFACE MOUNTING FOR UP TO 2 DUPLEX RECEPTACLES (NOT INCLUDED). THE BRACKET CAN BE MOUNTED WITH CUSTOMER-SUPPLIED FASTENERS USING THE KEYHOLE PATTERN.



6.00	7.85	9.88	10.70	1933781-2
3.00	2.85	4.88	5.70	1933781-1
DIM D	DIM C	DIM B	DIM A	PART NO.

DIMENSIONS: INCHES TOLERANCES UNLESS OTHERWISE SPECIFIED: 9 PLC ± .010 8 PLC ± .008 5 PLC ± .005 4 PLC ± .003 ANGLES ± .010		DWN: J. BURWELL 11JUNE08 CHK: S. JONES 11JUNE08 APVD: - PRODUCT SPEC: - APPLICATION SPEC: - WEIGHT: - CUSTOMER DRAWING: -	Tyco Electronics Harrisburg, PA 17105-3608 NAME: BRACKET, KEYHOLE MOUNT, SNAP-IN SIZE: A CAGE CODE: 100779 DRAWING NO: C=1933781 RESTRICTED TO: - SCALE: 1:1 SHEET: 1 OF 1 REV: B
---	--	---	--