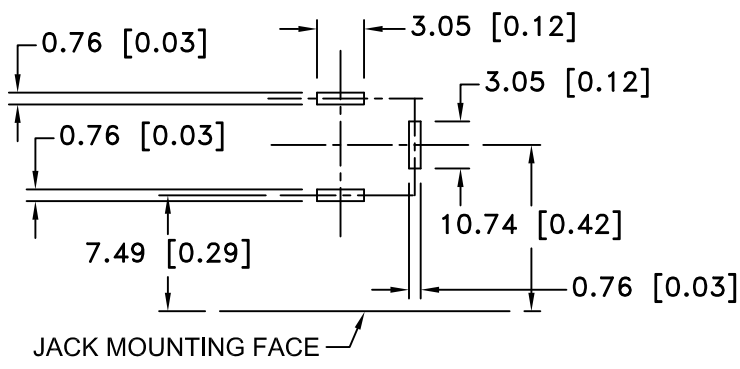
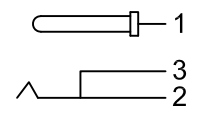


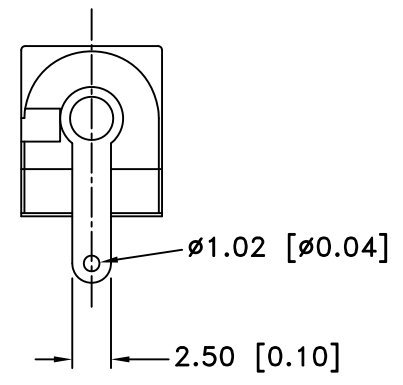
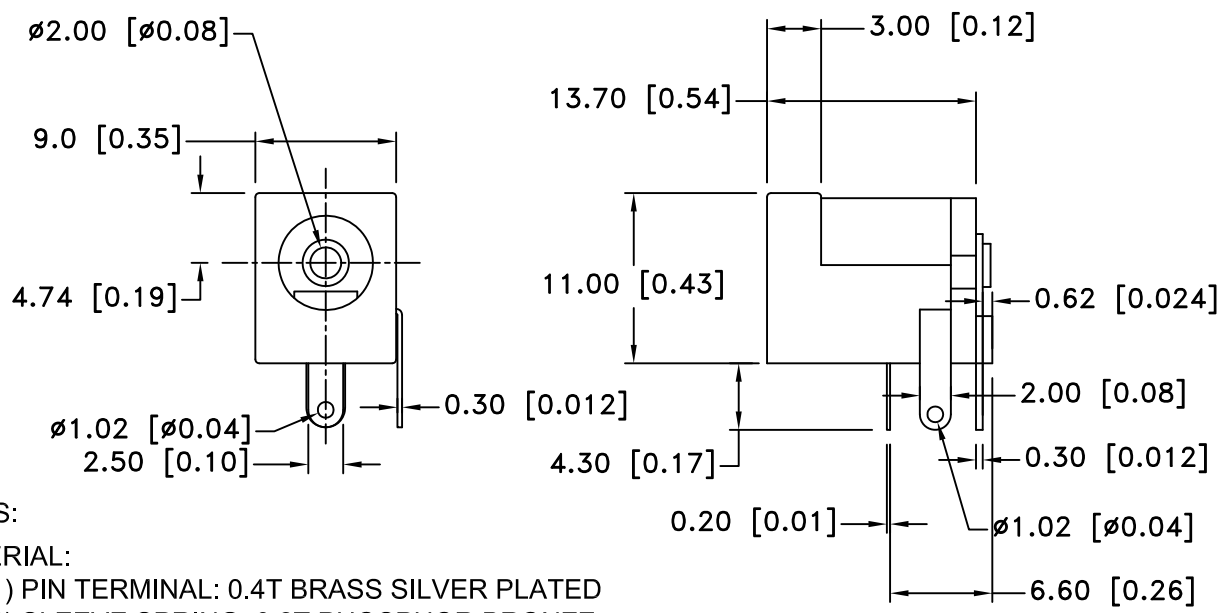
Date	SYM	REVISION RECORD	AUTH	DR.	CK.
3/07/14	A	UPDATED TO ROHS 2 COMPLIANT	T.B.	B.S.	
07/14/16	B	UPDATED LEFT SIDE VIEW	T.B.	B.S.	




**PCB LAYOUT**



**SCHEMATIC**



- NOTES:
- MATERIAL:
- 1) PIN TERMINAL: 0.4T BRASS SILVER PLATED
  - 2) SLEEVE SPRING: 0.2T PHOSPHOR BRONZE
  - 3) BREAK TERMINAL: 0.3T BRASS
  - 4) PIN (Ø2.0): COPPER
  - 5) HOUSING: PBT
  - 6) COVER: PBT
- ELECTRICAL SPECS:
1. LIFE: 10,000 INSERTION/WITHDRAWAL CYCLE MINIMUM
  2. CONTACT RESISTANCE: 50mΩ MAXIMUM
  3. INSULATION RESISTANCE: 1000mΩ MINIMUM
  4. DIELECTRIC WITHSTANDING VOLTAGE: 500V AC MAXIMUM
  5. MAXIMUM RATING: 5A, 12V DC
  6. TEMPERATURE RATING: -15°C TO 90°C
- ROHS 2 COMPLIANT

Tolerance (Except as noted)	 <b>Memory Protection Devices, Inc</b> 200 Broad Hollow Road, Farmingdale, New York 11735	Scale	Drawn By B.S.
			Approved By T.B.
decimal ±.5 (.020)	Title DC JACK – PCB MOUNTING 2.1 I.D. x 5.5 O.D.		
Fractional ± .8 (.030)		Date 07/14/16	Drawing Number EJ503A
Angular ± 3°			