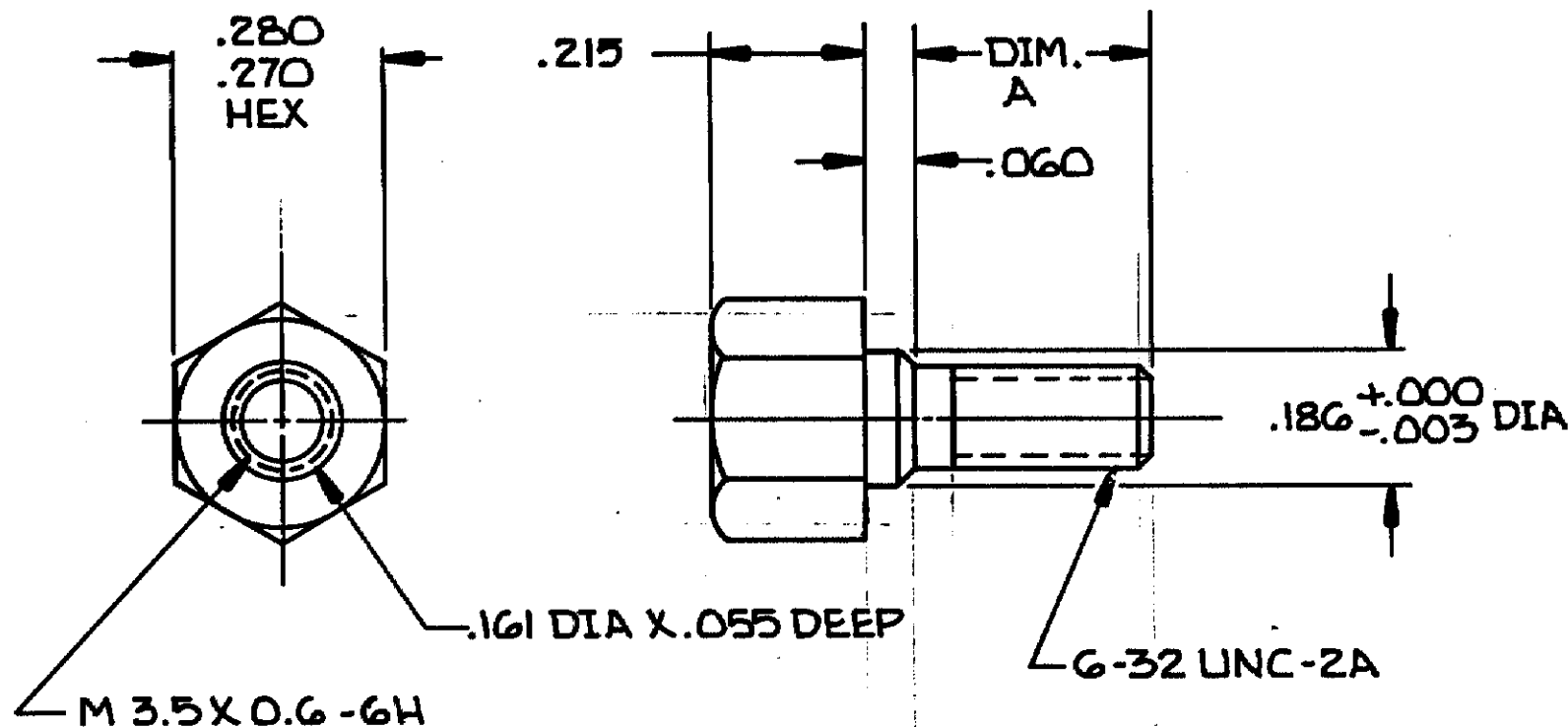


© COPYRIGHT

REVISIONS						
P	F	ZONE	LTR	DESCRIPTION	DATE	APPROVED
✓			A1	REVISED PER ECO-11-005294	12APR11	HMR



1. ALL DIMENSIONS SHOWN ARE MAXIMUM UNLESS OTHERWISE SPECIFIED.
2. MATERIAL: BLACK OXIDE COATED CARBON STEEL.
3. PARTS COATED WITH AMP APPROVED CORROSION PREVENTATIVE.
4. PACKAGED 10,000 PER BOX.
5. PACKAGED 500 STANDOFFS PER BAG.

5	.320	554043-3
4	.205	554043-2
	.320	554043-1
PACKAGED	DIM. A	PART NO

UNLESS OTHERWISE SPECIFIED DIMENSIONS ARE IN INCHES.
 TOLERANCES ON:
 DECIMALS ± —
 ANGLES ± —

MATERIAL 2

FINISH 2

CONTRACT NO
 DR DB *5-17-88*
 CHK *g. Panty 6/3/88*
 APPD *D. Trammell 6/3/88*
 APPD *(R. J. Johnson 6-3-88)*
 DSGN APPD
 OTHER APPD

TE TE Connectivity

NAME STANDOFF, MOUNTING STUD, HEX HEAD, CHAMP®

SIZE **B** FSCM NO 00779 DRAWING NO 554043

SCALE 4:1 SHEET 1 OF 1