

DETAILS

Product Number	CC15001_FLORENTINA-O
Family	Florentina
Type	Assembly
Color	black
Diameter	28,81x286,8 mm
Height	25,1 mm
Style	rectang
Optic Material	
Holder Material	
Fastening	screw
Status	production ready
ROHS Compliant	Yes
Date Updated	20/09/2016

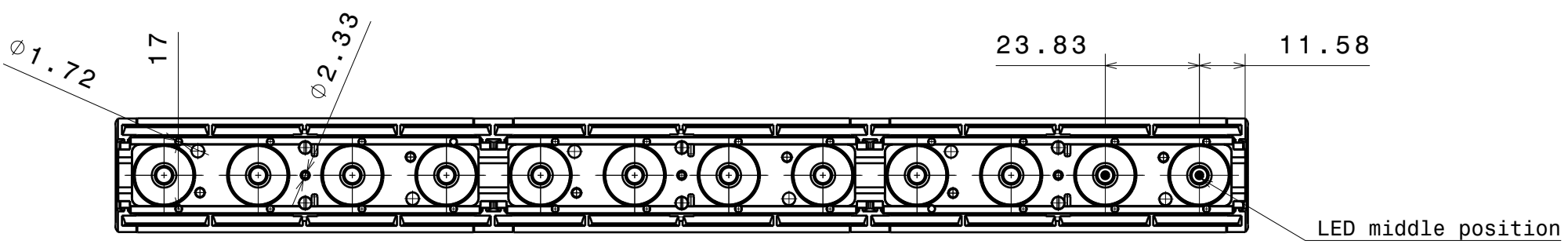


OPTICAL PROPERTIES

LED	Viewing	Light	Efficiency	cd/lm	Connector
	Angle	Beam			
XP-E2	35+12 deg	Oval	83 %	5.050	-
XP-G2	34+15 deg	Oval	83 %	4.200	-
H35C1 (LEMWA33)	34+16 deg	Oval	80 %	3.660	-
LUXEON Rebel Plus	33+15 deg	Oval	81 %	4.300	-
LUXEON TX	34+16 deg	Oval	81 %	3.800	-
LUXEON Rebel ES	33+17 deg	Oval	79 %	3.600	-
LUXEON Z ES	34+13 deg	Oval	82 %	5.100	-
NCSxx19B	34+14 deg	Oval	79 %	4.200	-
NVSxx19B/NVSxx19C	34+17 deg	Oval	78 %	3.430	-
Oslon SSL 80	33+15 deg	Oval	79 %	4.080	-
Oslon Square EC	34+15 deg	Oval	79 %	3.870	-
Oslon SSL 150	34+12 deg	Oval	80 %	5.000	-
LH351B	34+18 deg	Oval	94 %	3.480	-
TL1L4	34+17 deg	Oval	79 %	3.590	-

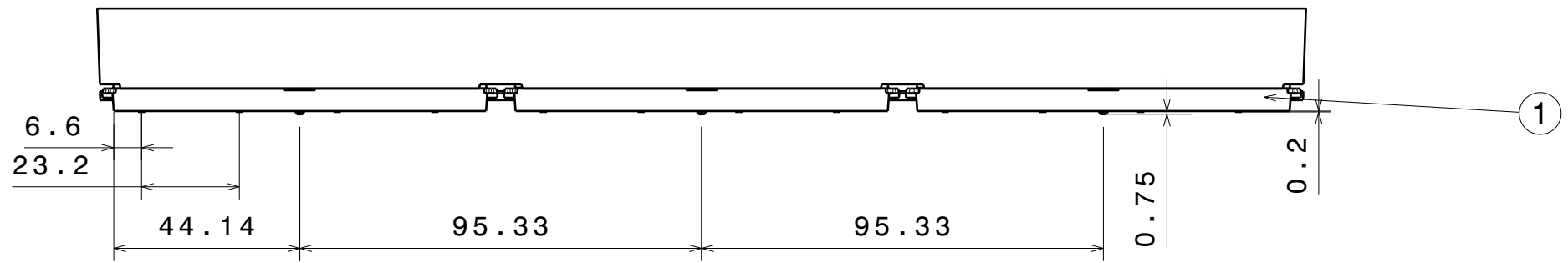
H G F E D C B A

4



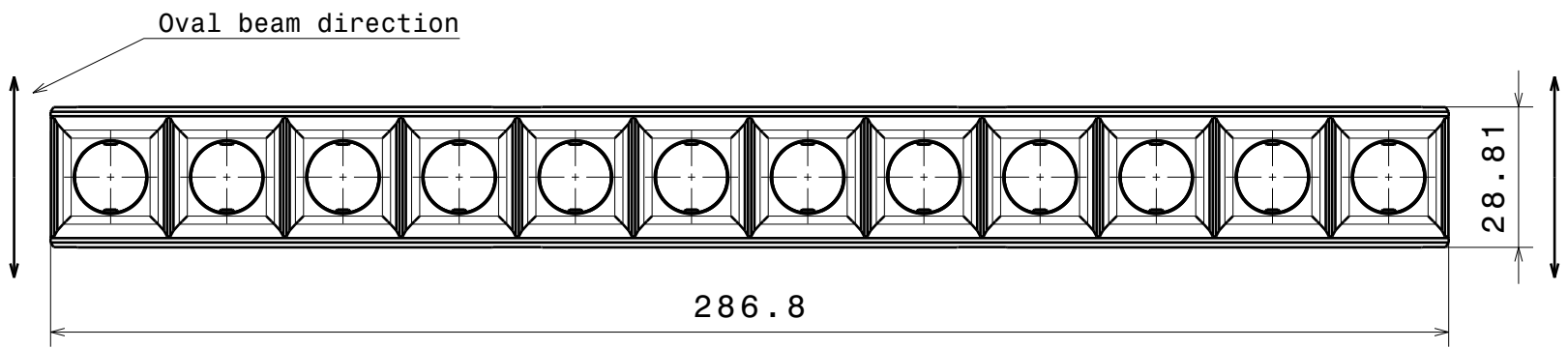
Bottom view

3



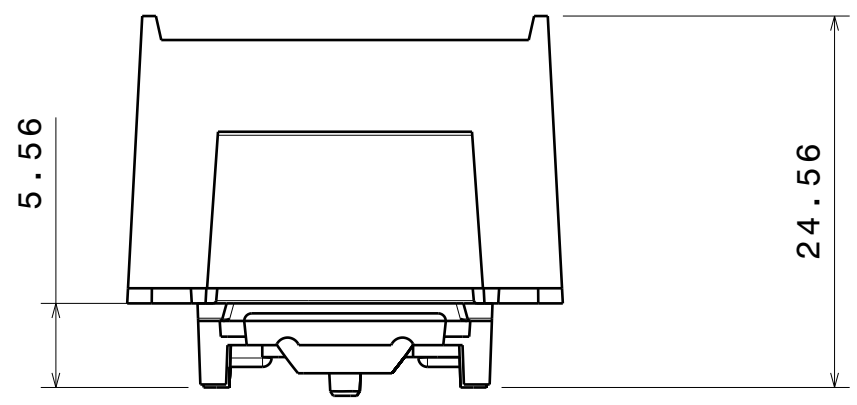
Side view

2

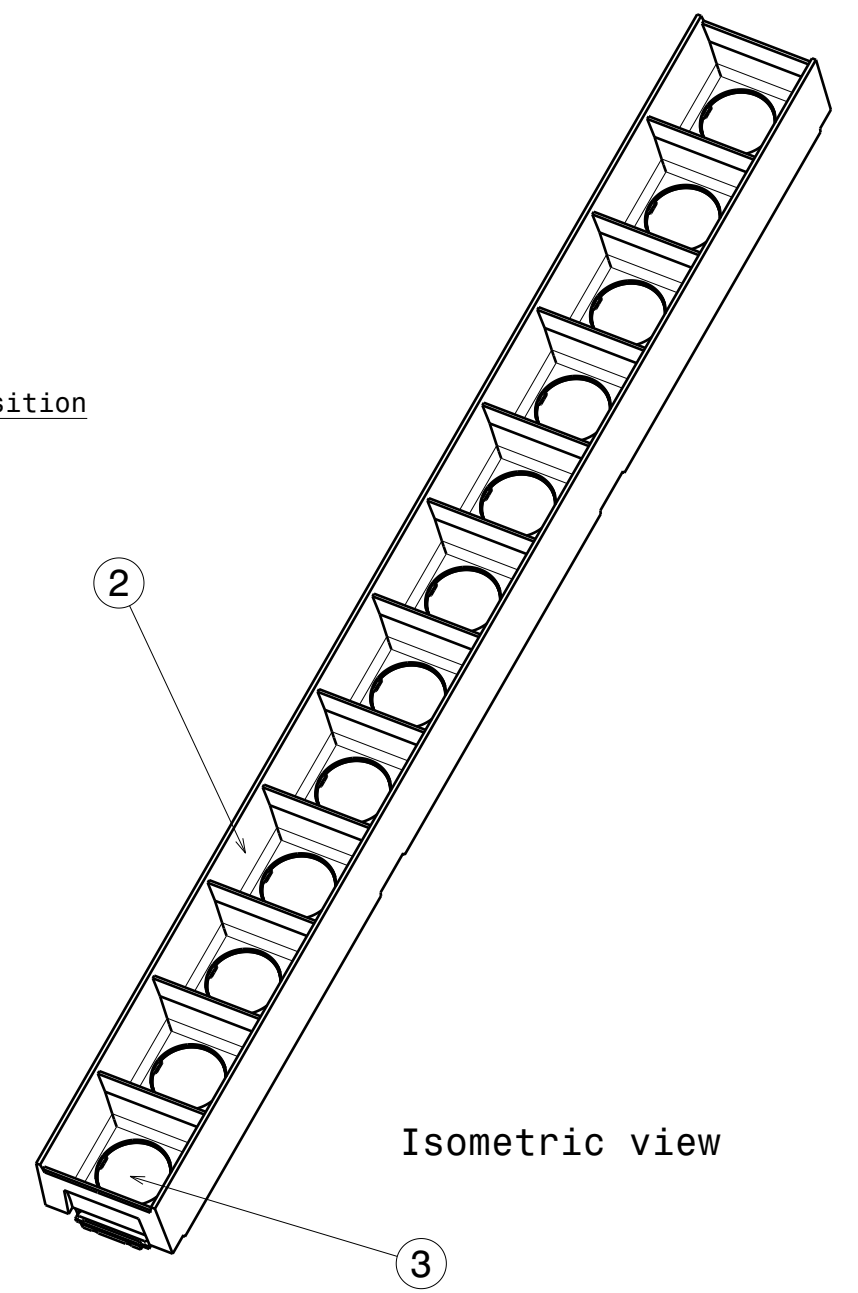


Top view

1



Front view
Scale: 2:1



Isometric view

INDEX	PART NO	DESCRIPTION	MATERIAL	COLOUR
1	C14445	FLORENTINA-HLD	PC	black
2	C14446	FLORENTINA-SHD	PC	black
3	C11050	TINA2-0 (12 pcs)	PMMA	clear

Tolerances if not otherwise shown
According to DIN ISO 2768-1
Linear measures:
up to 30mm class M, otherwise class C
According to DIN ISO 2768-2
Form and position: class L

LEDiL LediL Oy
Salorankatu 10
FIN 24240 SALO
Finland

THIRD ANGLE PROJECTION:

DRAWING TITLE
CC15001_FLORENTINA-0

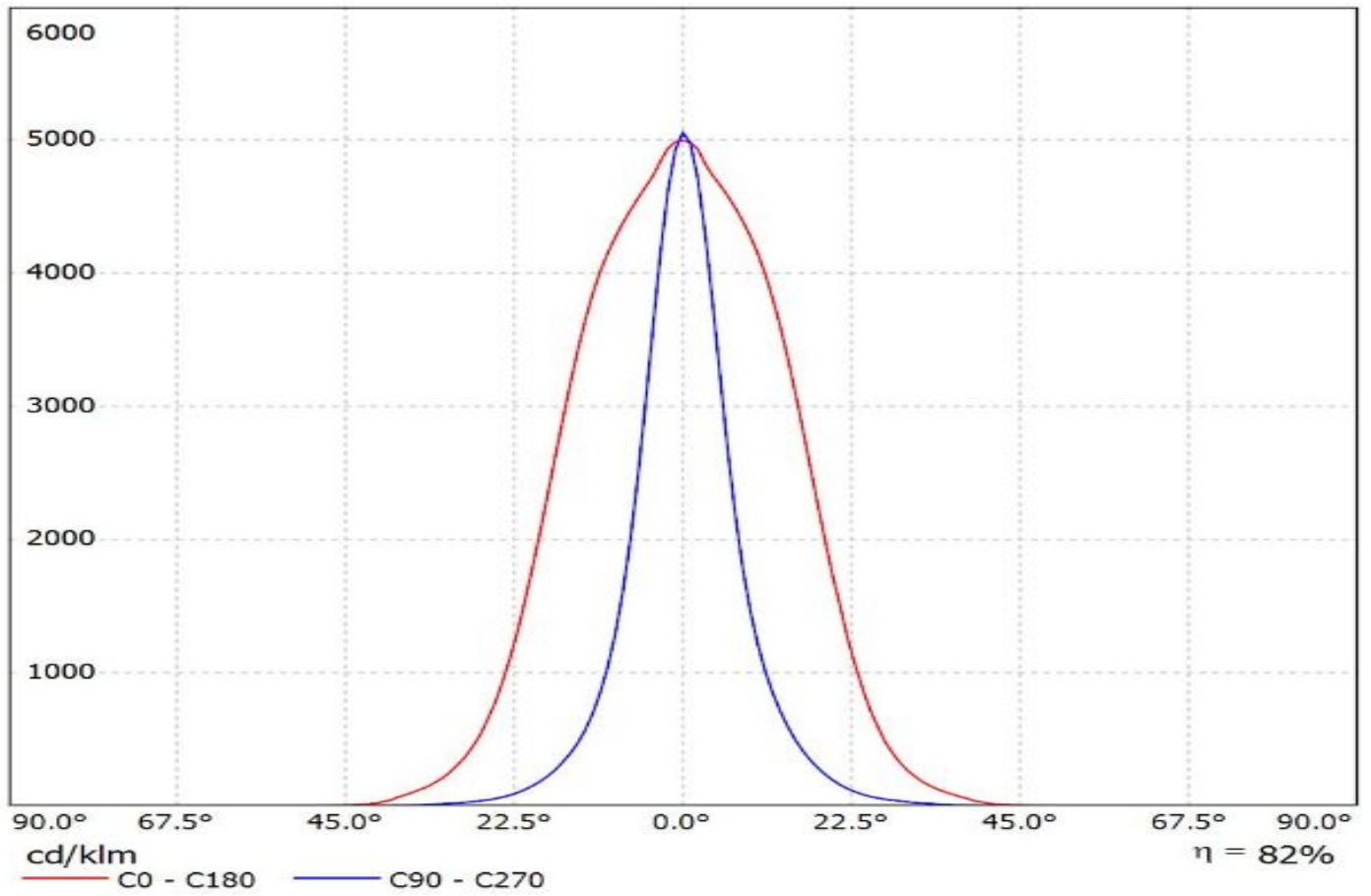
This drawing is the property of LEDiL Oy. It may not be reproduced, copied or communicated without a written agreement with LEDiL Oy.

SIZE	PART NUMBER		
A3	CC15001		

SCALE	2:3	WEIGHT	68,20 g	SHEET	1/1
-------	-----	--------	---------	-------	-----

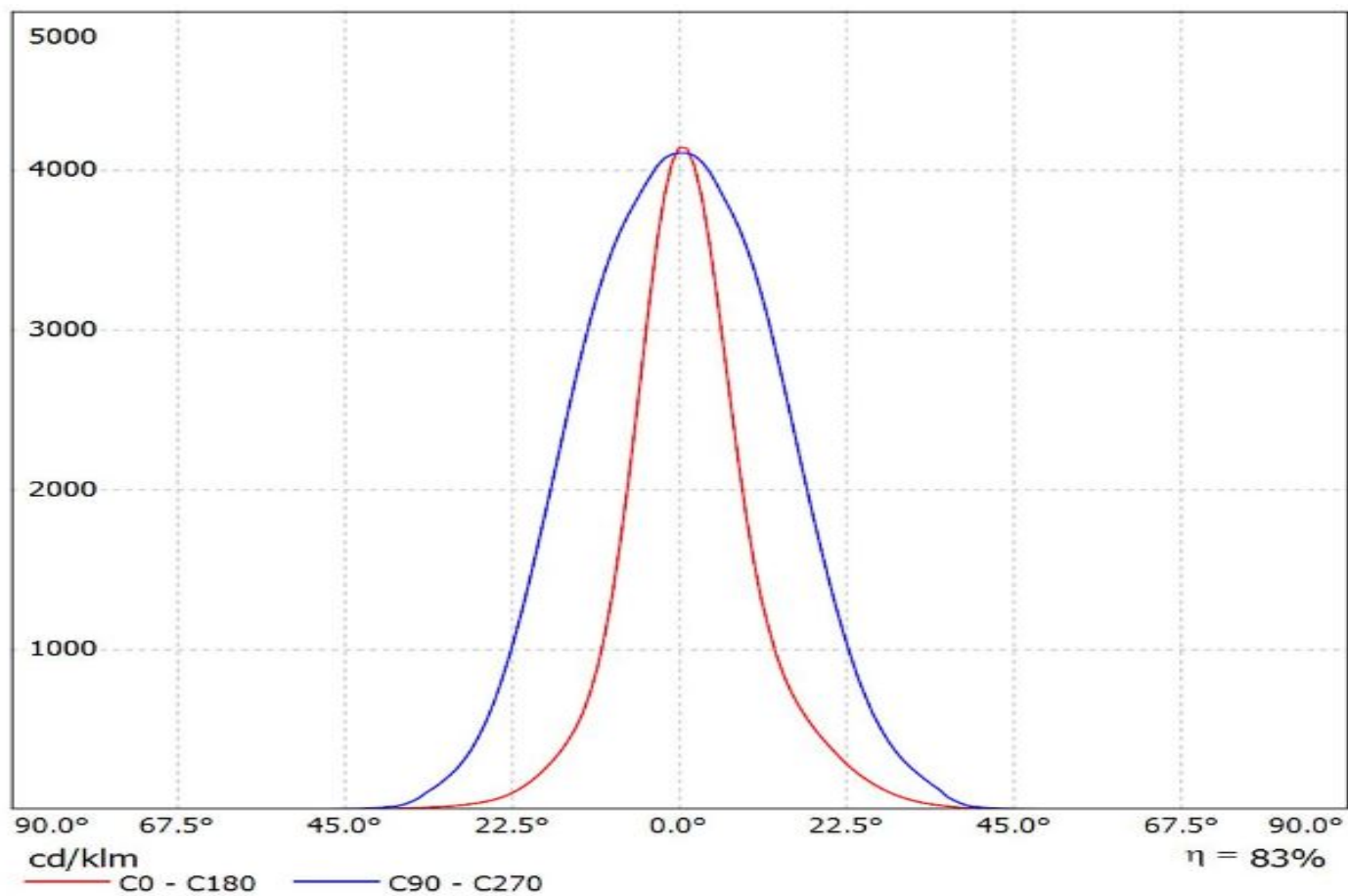
H G B A

Luminaire: Ledil CC15001_FLORENTINA-O_(XP-E2)
Lamps: 1 x XP-E2_925.241lm@250mA_CCT=3000K_P=8.66W_I=0.250A

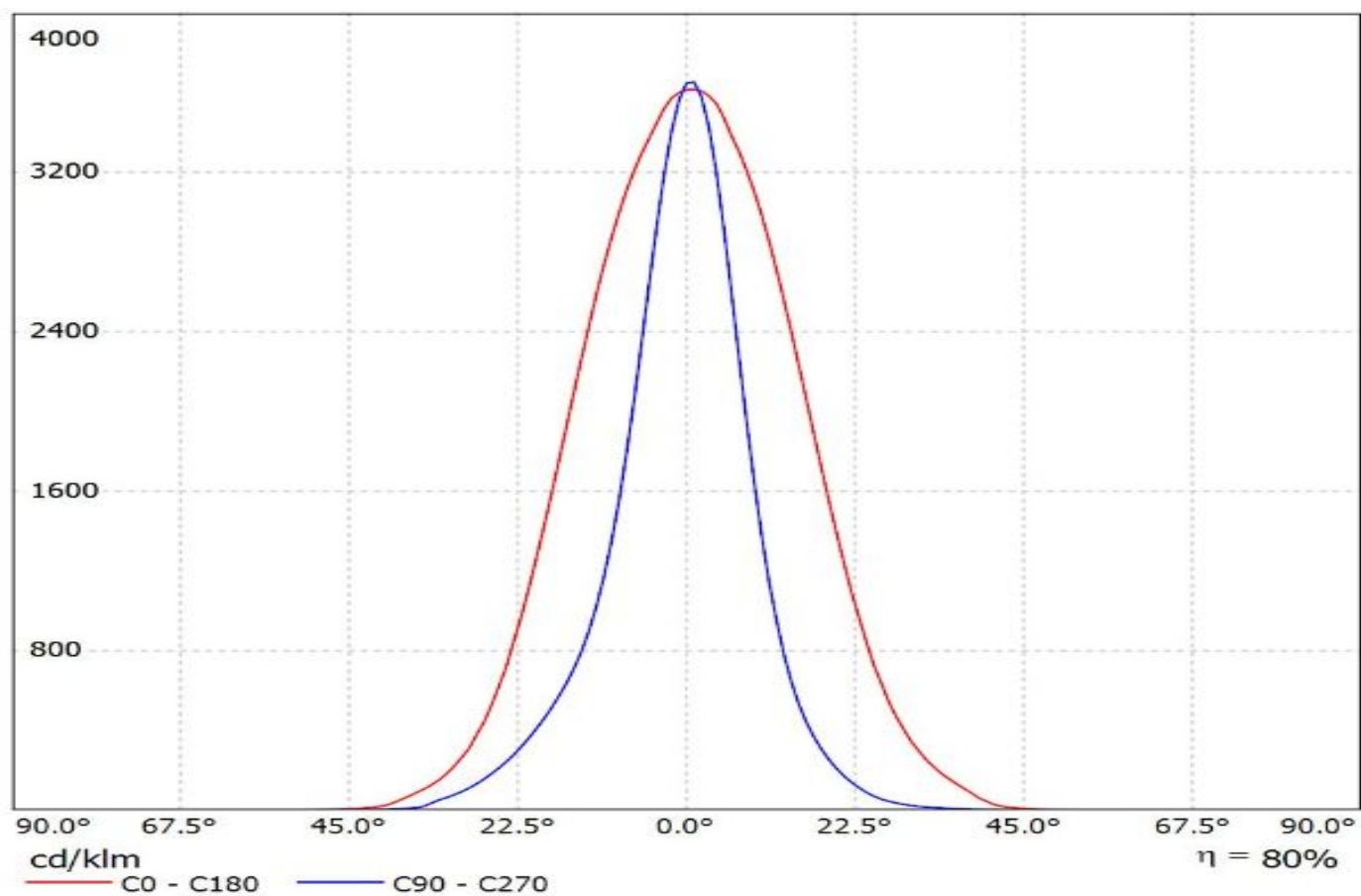


Luminaire: Ledil CC15001_FLORENTINA-O_(XP-G2)

Lamps: 1 x Cree_XP-G2_(XPGBWT-01-4A0-R3-0-01)_1166.49lm@250mA_P=8.4705W_I=0.25A

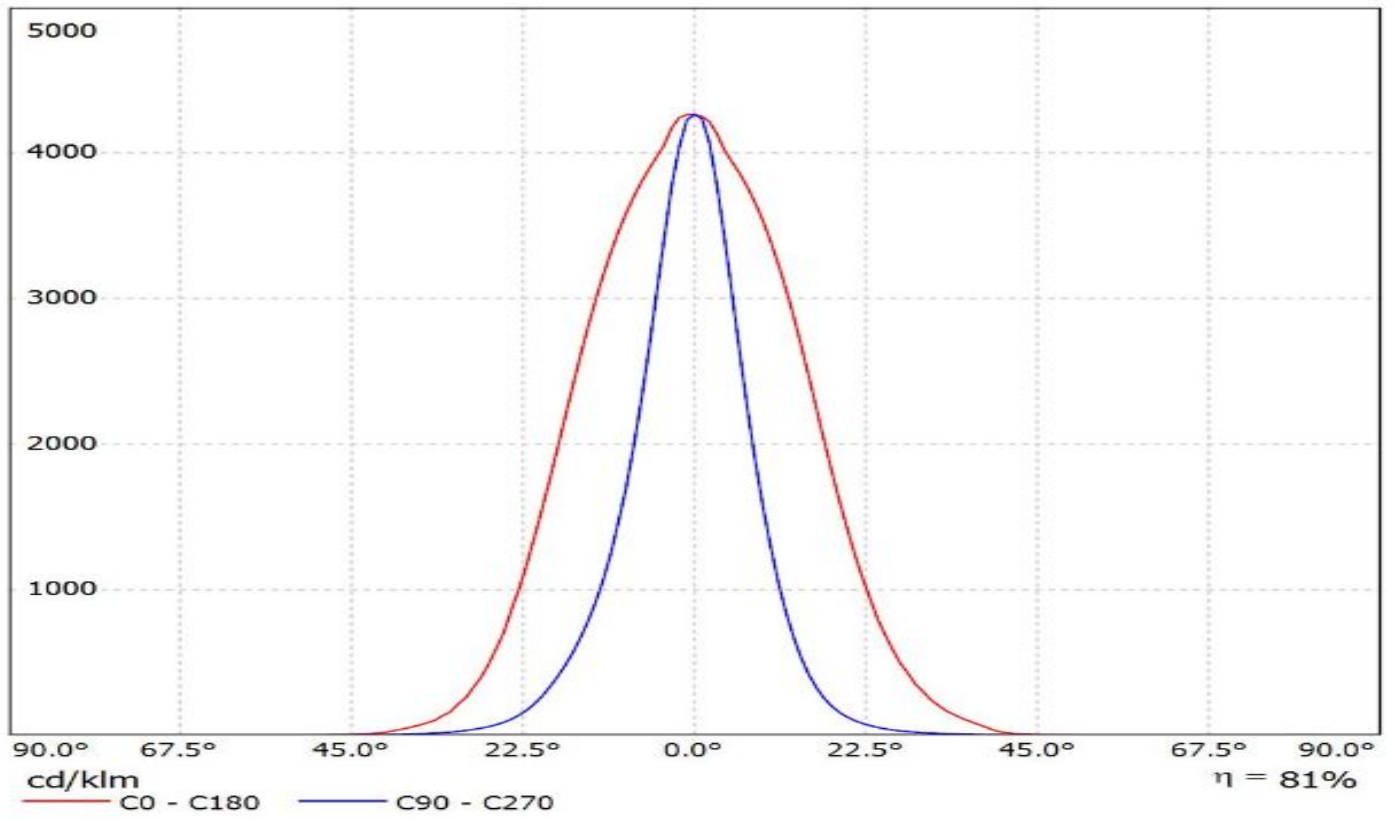


Luminaire: Ledil CC15001_FLORENTINA-O_(LG_H35C1)
Lamps: 1 x LG_H35C1_x12_1386.4lm@250mA_P=8.5608W_I=0.25A



Ledil CC15001_FLORENTINA-O_(Rebel_Plus) / LDC (Linear)

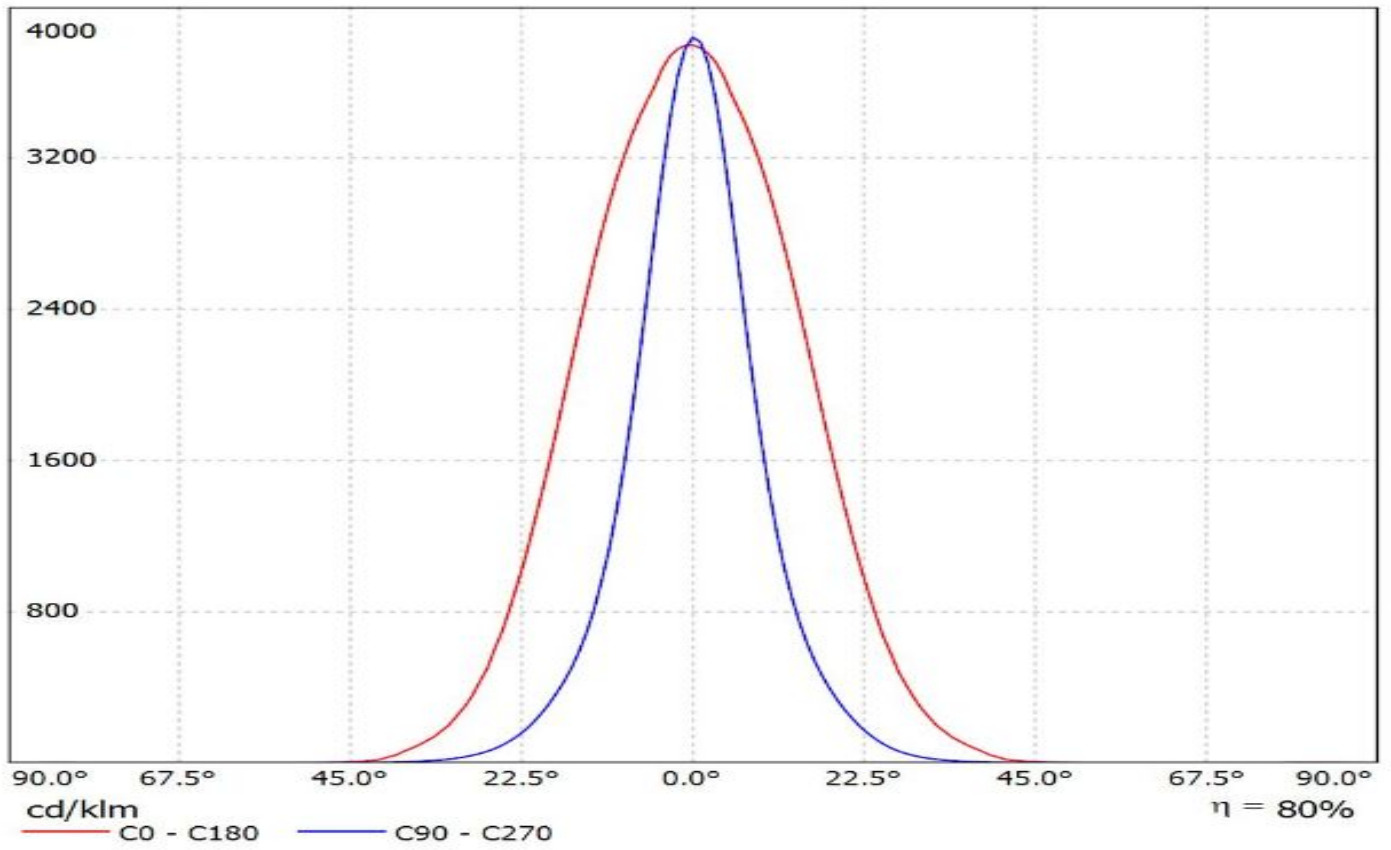
Luminaire: Ledil CC15001_FLORENTINA-O_(Rebel_Plus)
Lamps: 1 x Luxeon_Rebel_Plus_x12_(LX18-P140-3)
_1023.73lm@250mA_CCT=4000K_P=8.4525W_I=0.25A



Ledil CC15001_FLORENTINA-O_(Luxeon_TX) / LDC (Linear)

Luminaire: Ledil CC15001_FLORENTINA-O_(Luxeon_TX)

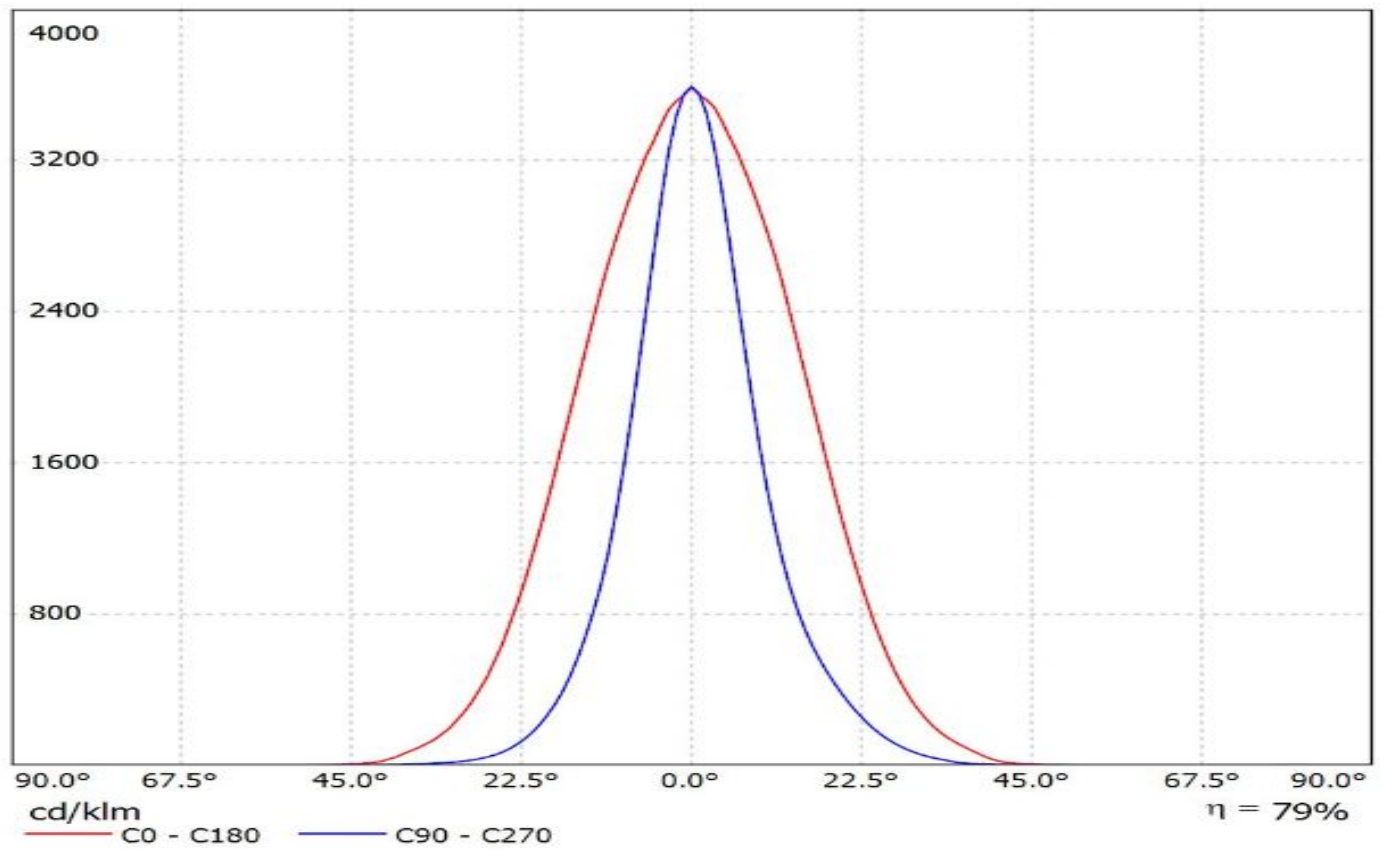
Lamps: 1 x Luxeon_TX_x12_(L1T2-5770)_1350.11lm@250mA_CCT=5700K_P=8.3223W_I=0.25A



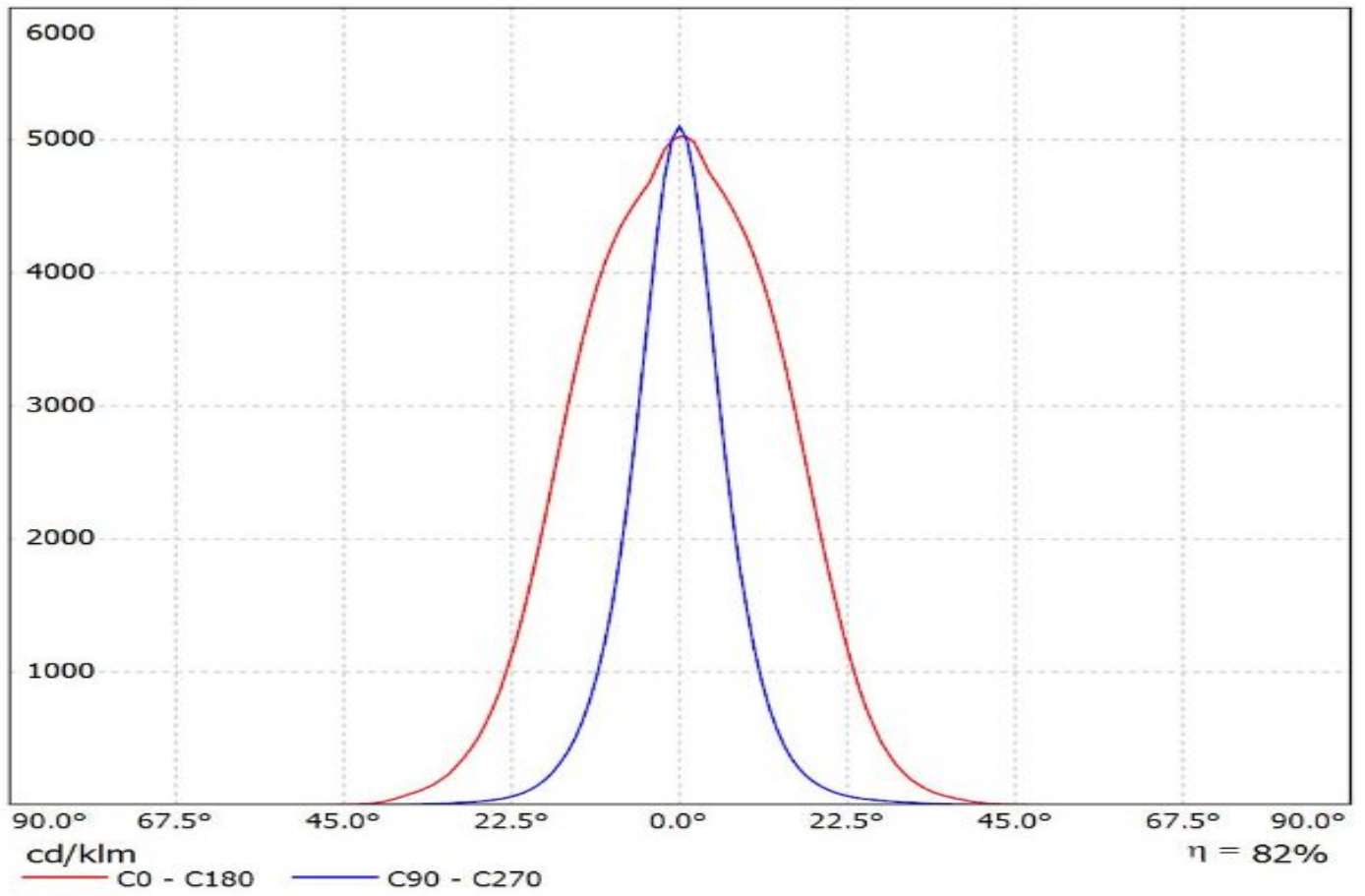
Ledil CC15001_FLORENTINA-O_(Rebel_ES) / LDC (Linear)

Luminaire: Ledil CC15001_FLORENTINA-O_(Rebel_ES)

Lamps: 1 x Luxeon_Rebel_ES_x12_(LXML-PWC2)_1133.87lm@250mA_P=8.6613W_I=0.25A

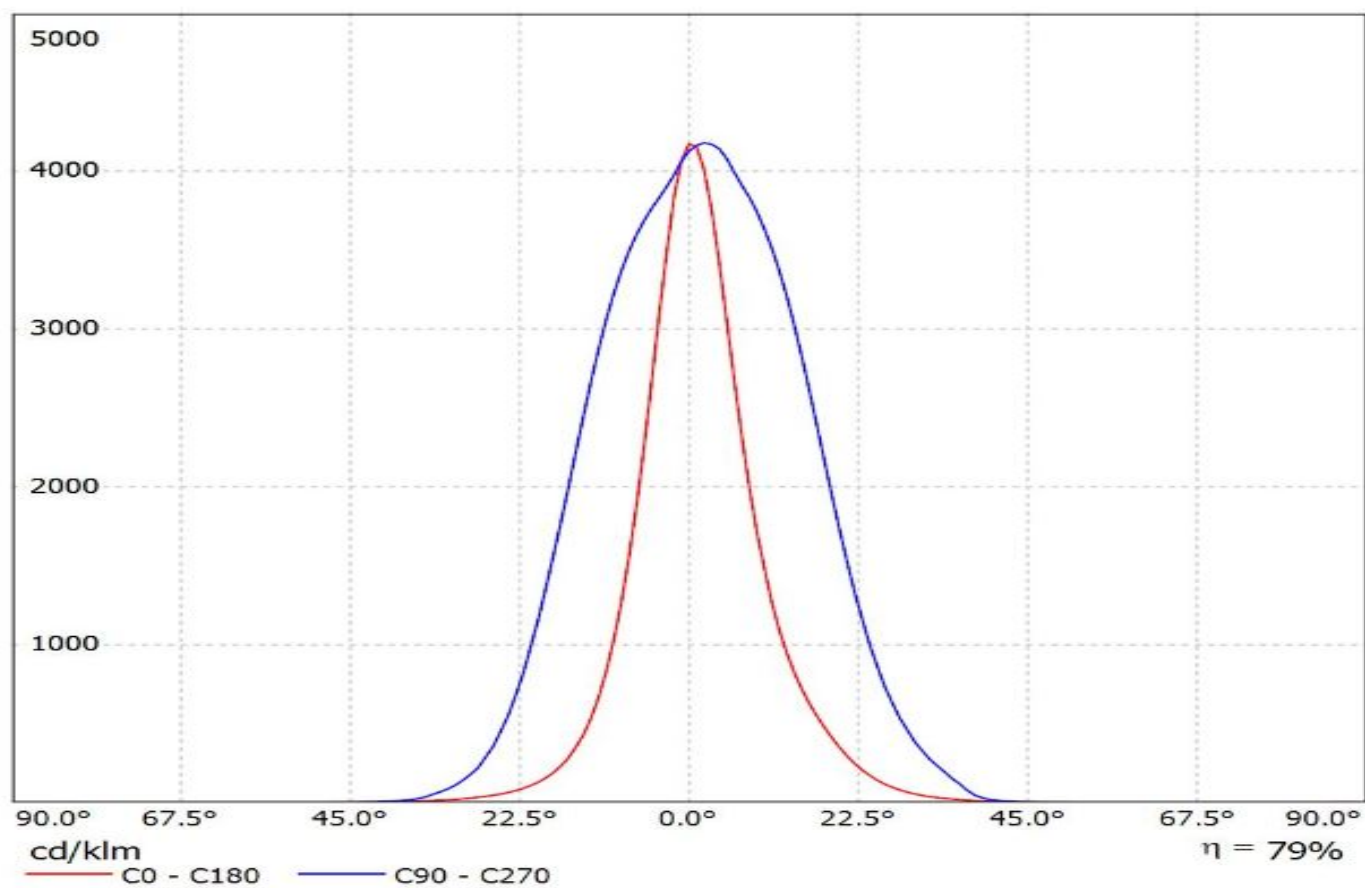


Luminaire: Ledil CC15001_FLORENTINA-O_(Luxeon_Z-ES)
Lamps: 1 x Luxeon_Z-ES_x12_934.806@250mA_P=8.3W_I=0.25A



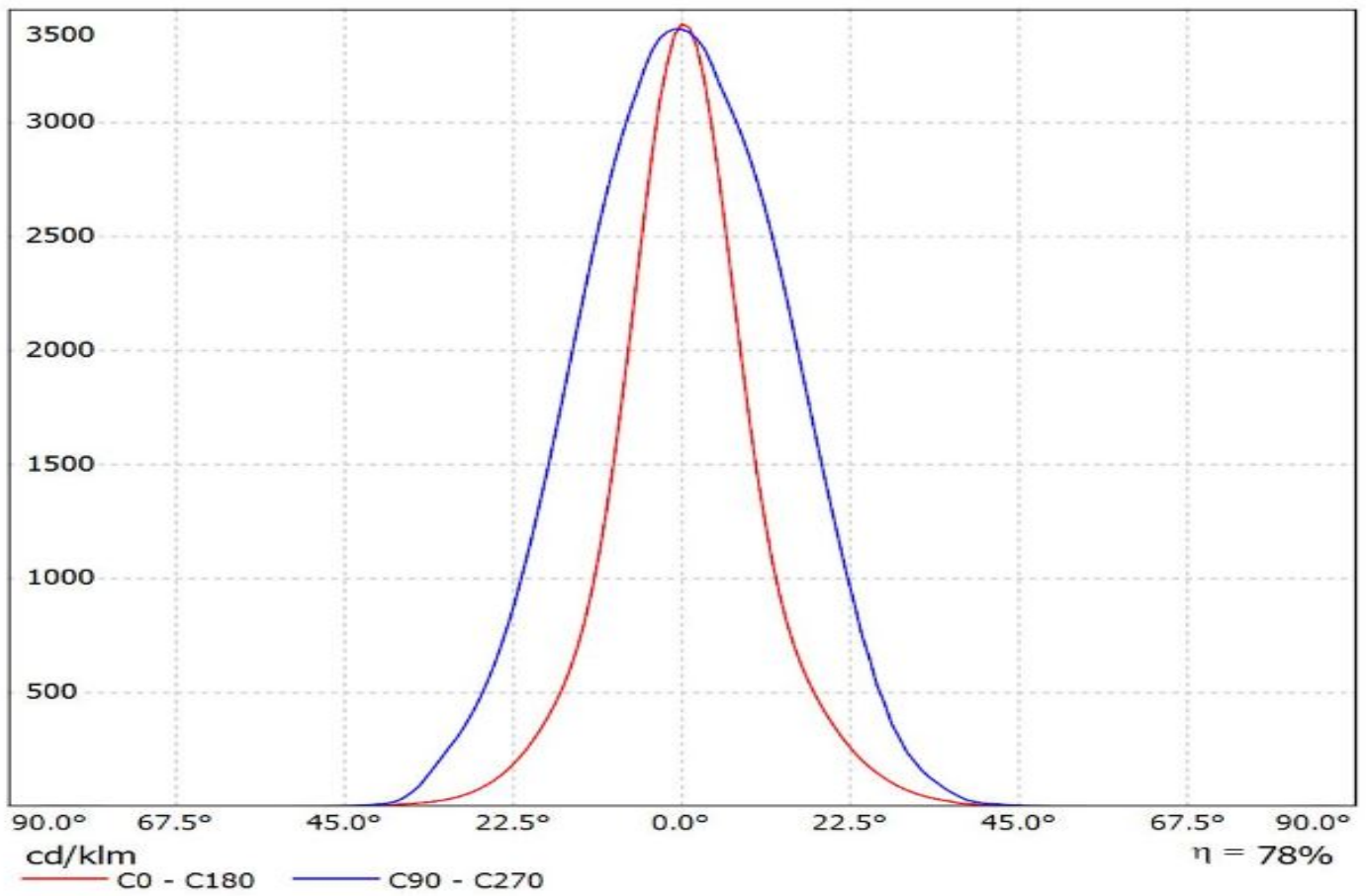
Luminaire: Ledil CC15001_FLORENTINA-O_(NCSL219B)

Lamps: 1 x Nichia_NCSxx19B_x12_(NCSL219B)_935.439lm@250mA_P=8.9467W_I=0.25A

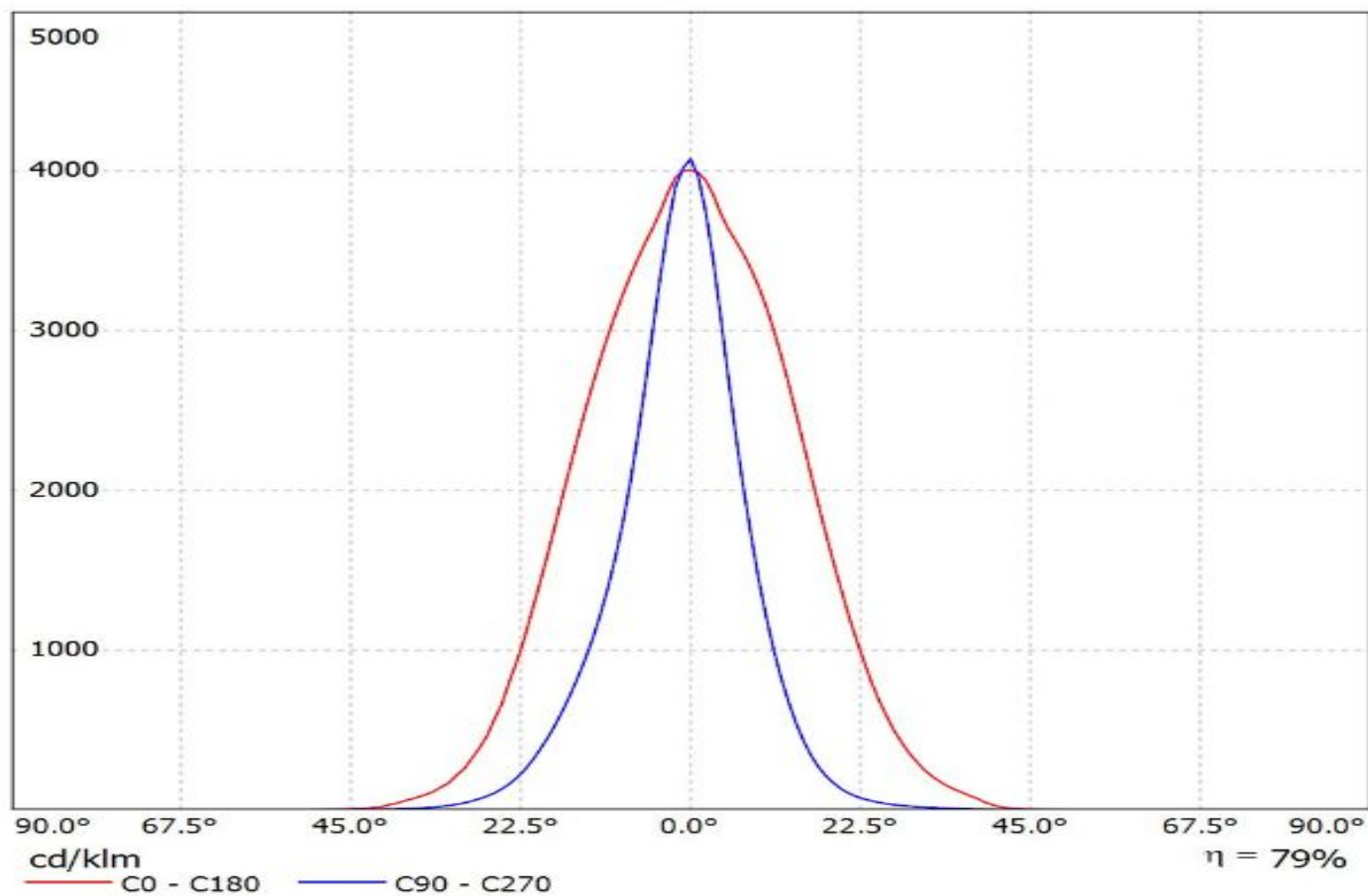


Luminaire: Ledil CC15001_FLORENTINA-O_(NVSL219B)

Lamps: 1 x Nichia_NVSL219B_x12_1040.35@250mA_P=8.6165W_I=0.25A

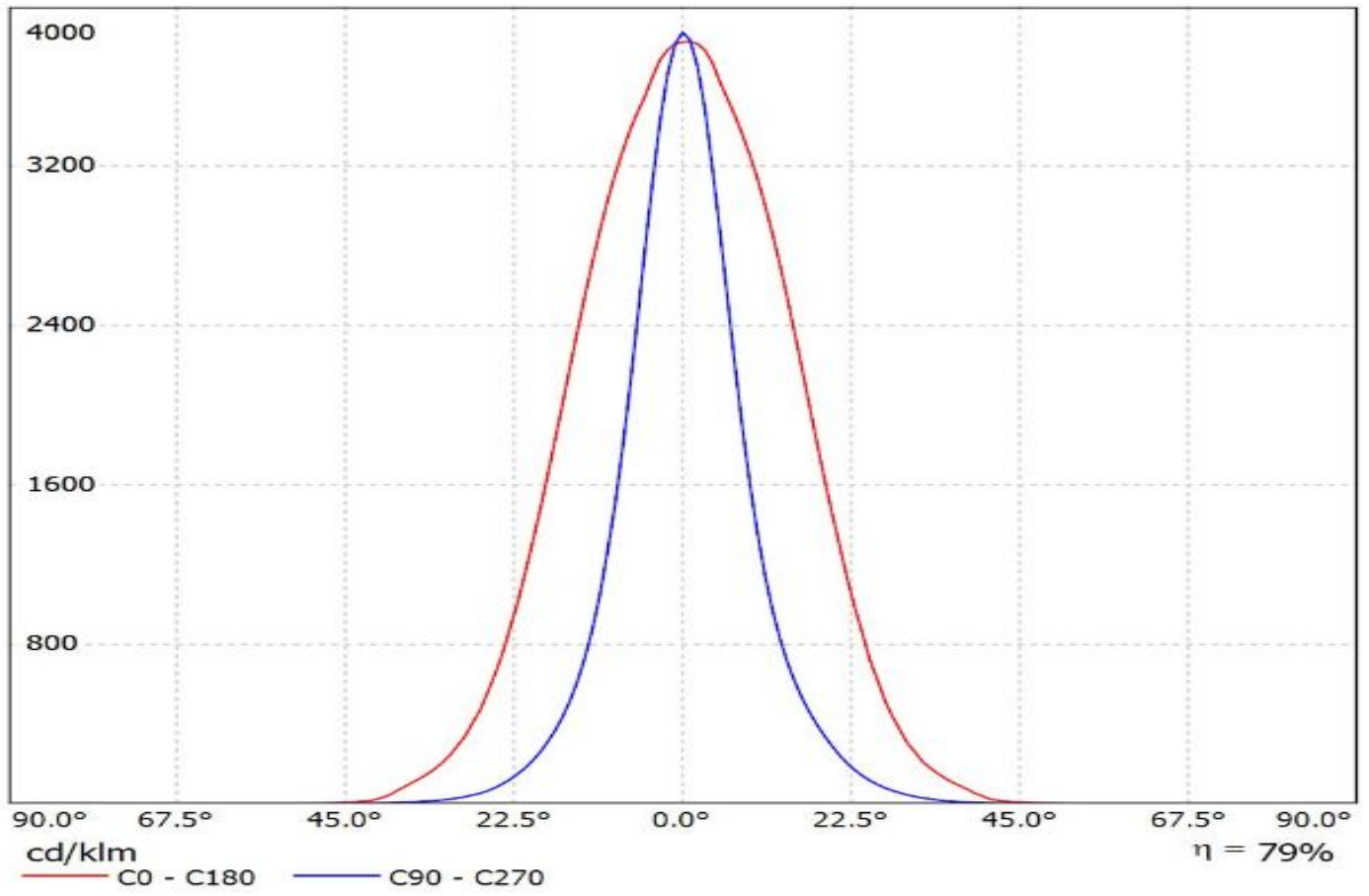


Luminaire: Ledil CC15001_FLORENTINA-O_(Oslon_SSL_80)
Lamps: 1 x Oslon_SSL_80_828.64lm@250mA_CCT=?K_P=9.31W_I=0.250A

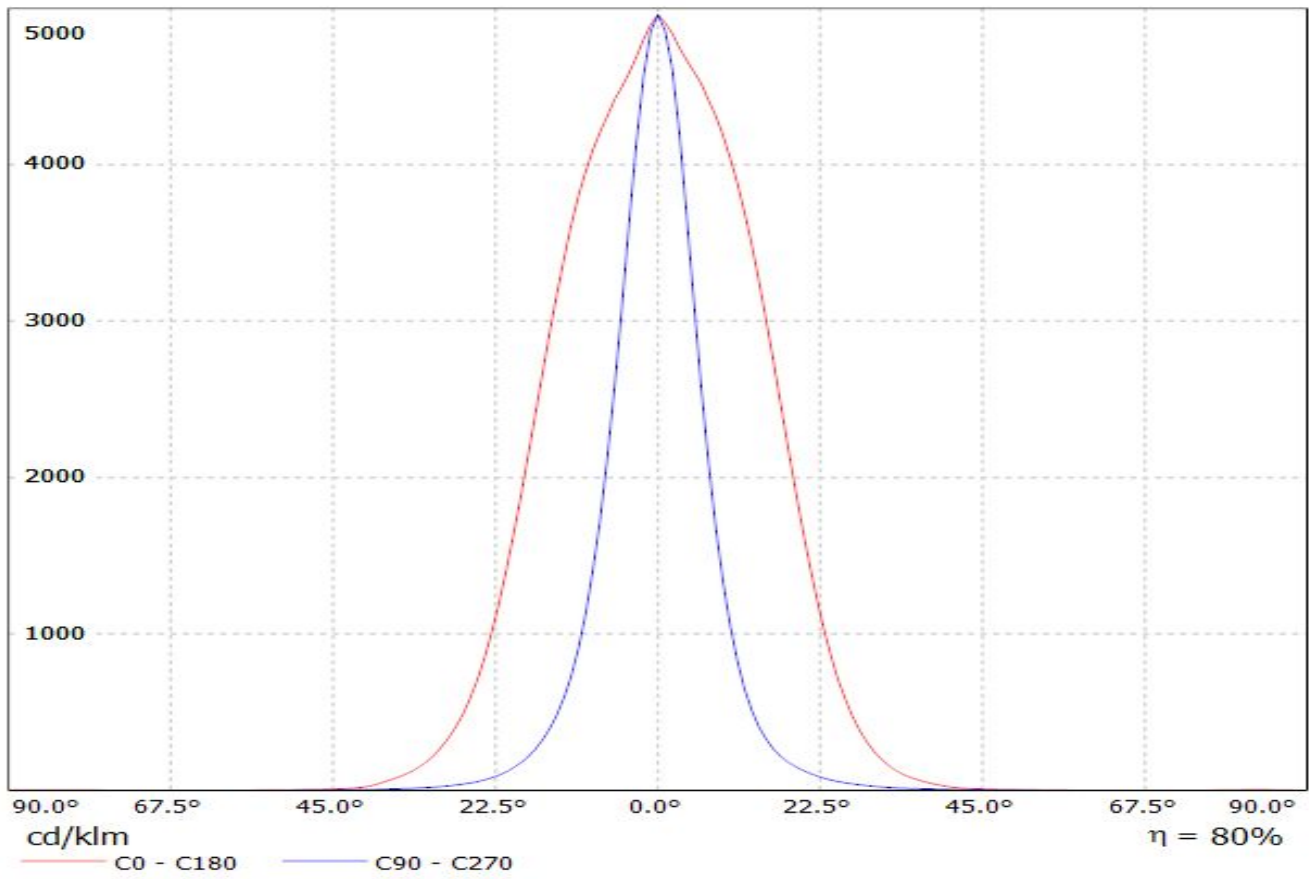


Luminaire: Ledil CC15001_FLORENTINA-O_(SQ-EC)

Lamps: 1 x OSLO_N_SQUARE-EC_x12_1046.45lm@250mA_P=8.3193W_I=0.25A

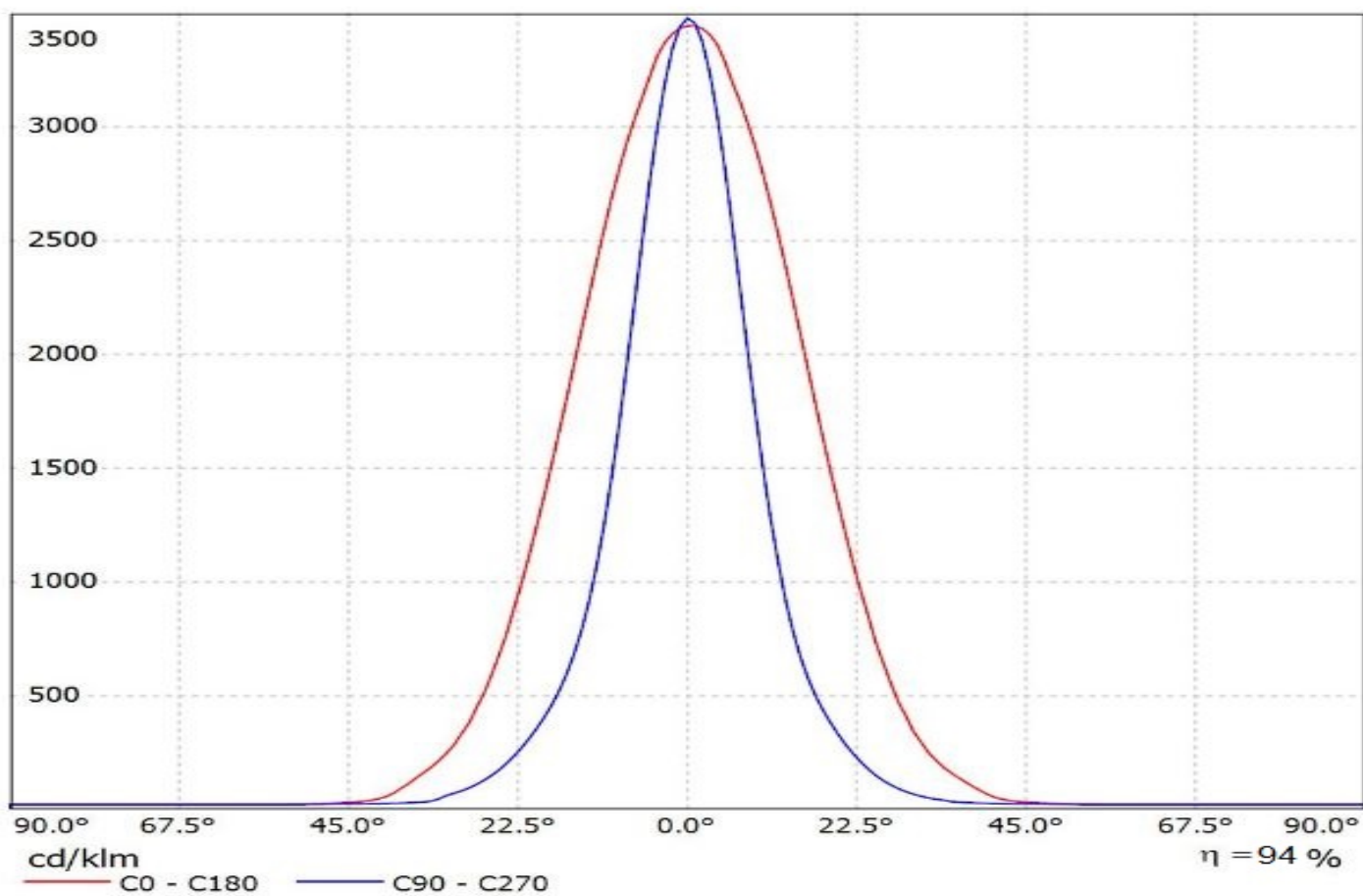


Luminaire: Ledil CC15001_FLORENTINA-O_(SSL150)
Lamps: 1 x Oslon_SSL150_995.439lm@250mA_P=8.4375W_I=0.25A

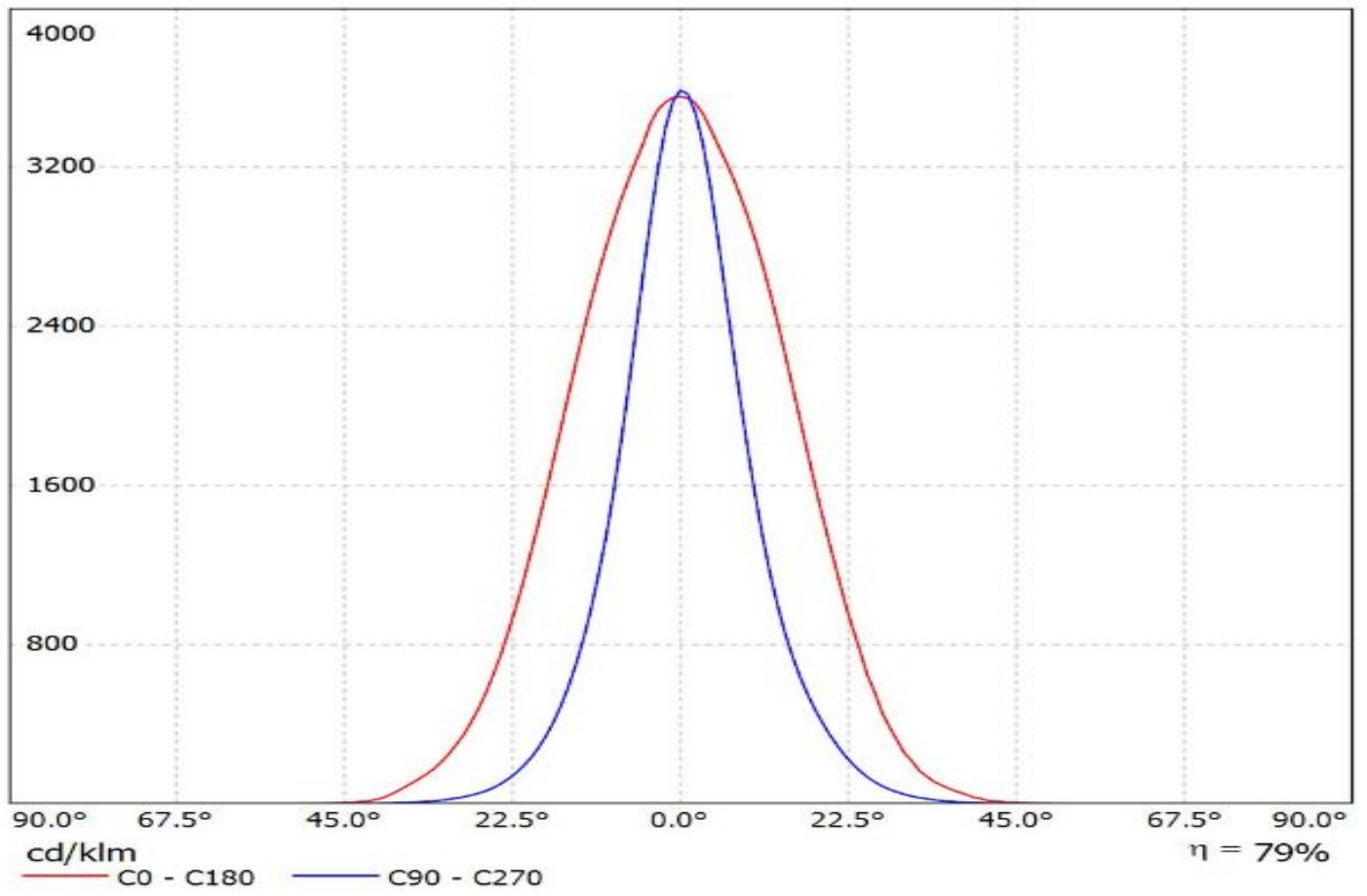


Luminaire: Ledil CC15001_FLORENTINA-O_(LH351B)

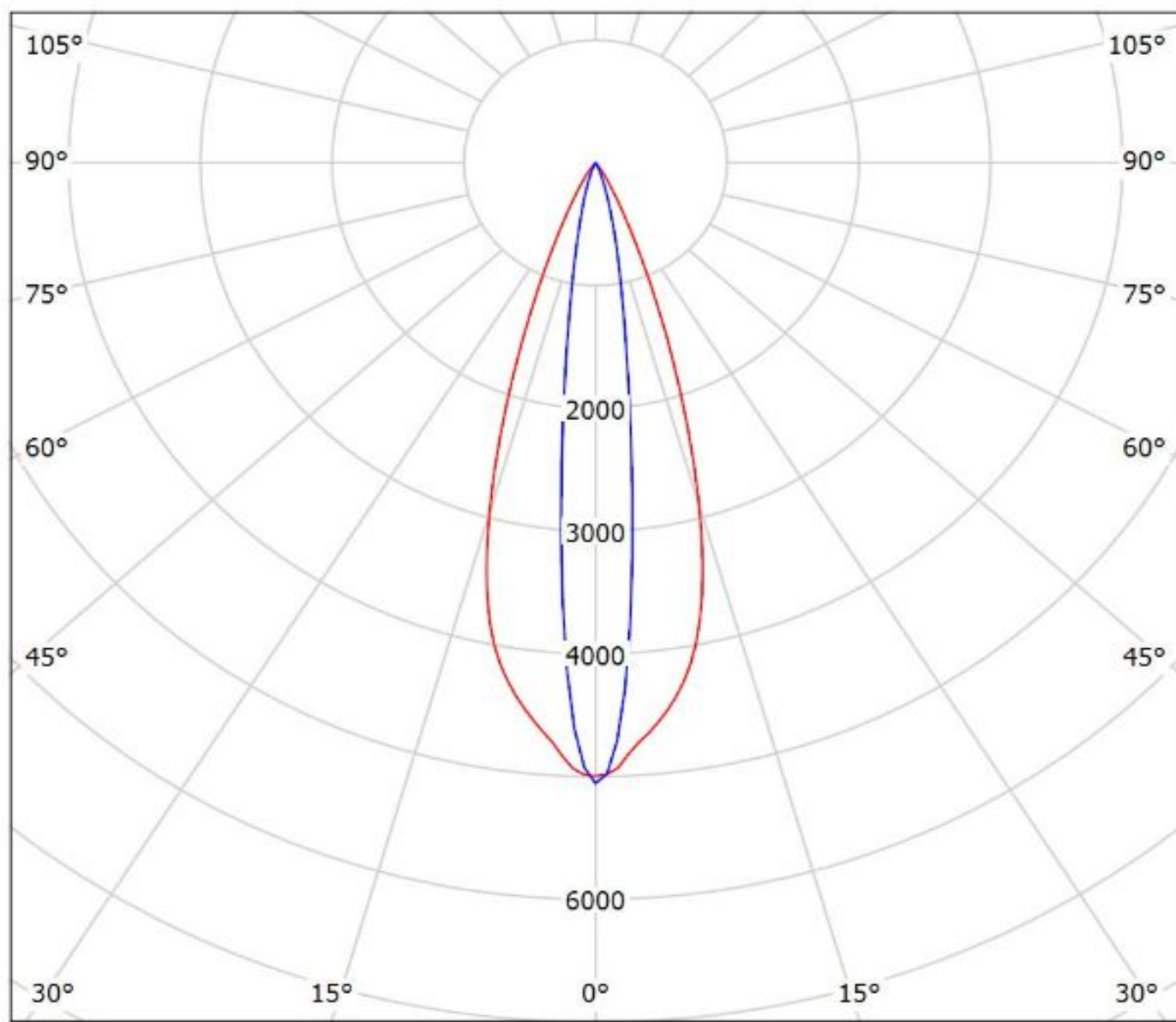
Lamps: 1 x Samsung_LH351B_x12_1310.26@250mA_P=8.4105W_I=0.25A



Luminaire: Ledil CC15001_FLORENTINA-O_(TL1L4)
Lamps: 1 x Toshiba_TL1L4_1140.96lm@250mA_P=8.3597W_I=0.25A



Luminaire: Ledil CC15001_FLORENTINA-O_(XP-E2)
Lamps: 1 x XP-E2_925.241lm@250mA_CCT=3000K_P=8.66W_I=0.250A

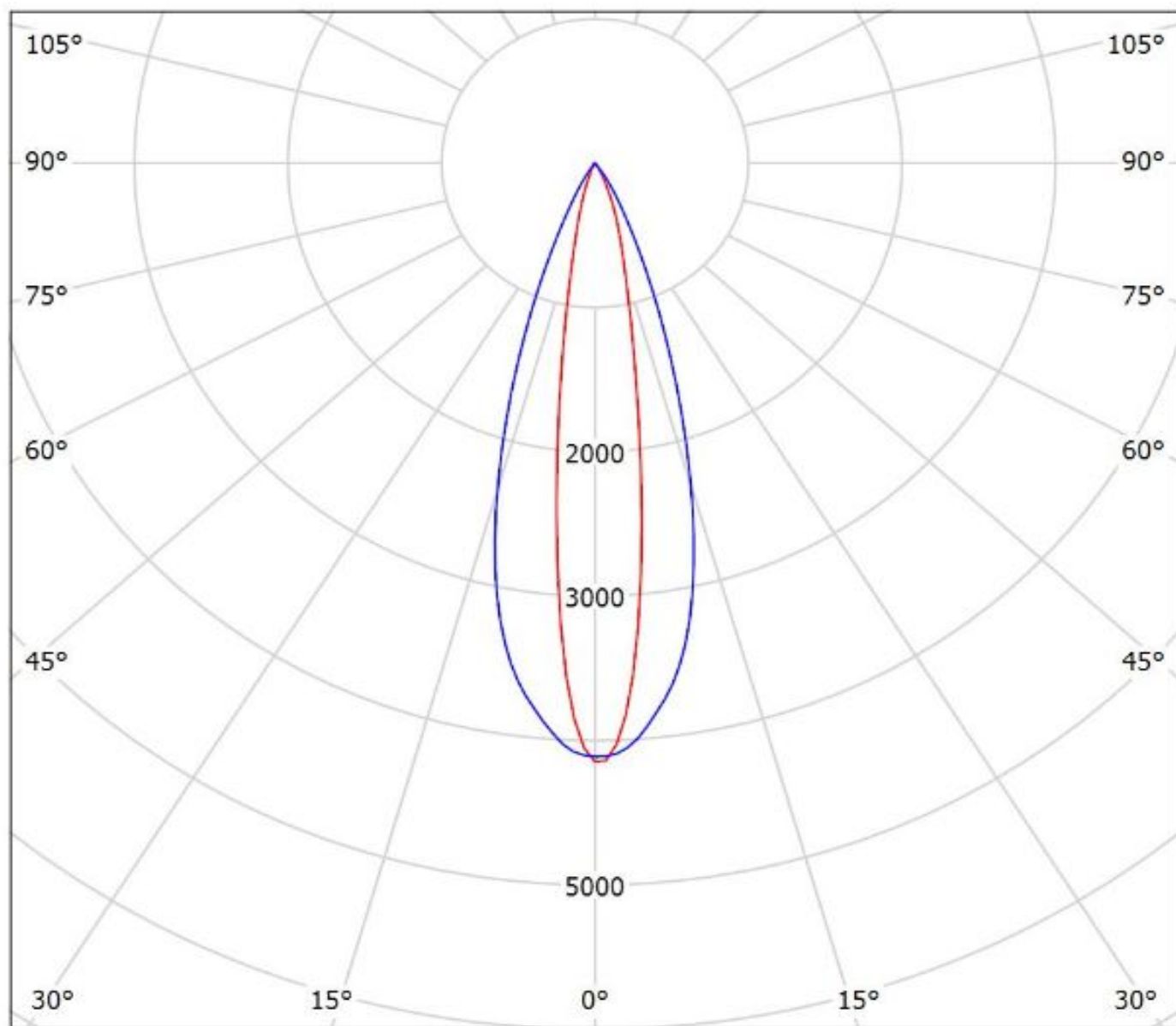


cd/klm
— C0 - C180 — C90 - C270

$\eta = 82\%$

Luminaire: Ledil CC15001_FLORENTINA-O_(XP-G2)

Lamps: 1 x Cree_XP-G2_(XPGBWT-01-4A0-R3-0-01)_1166.49lm@250mA_P=8.4705W_I=0.25A



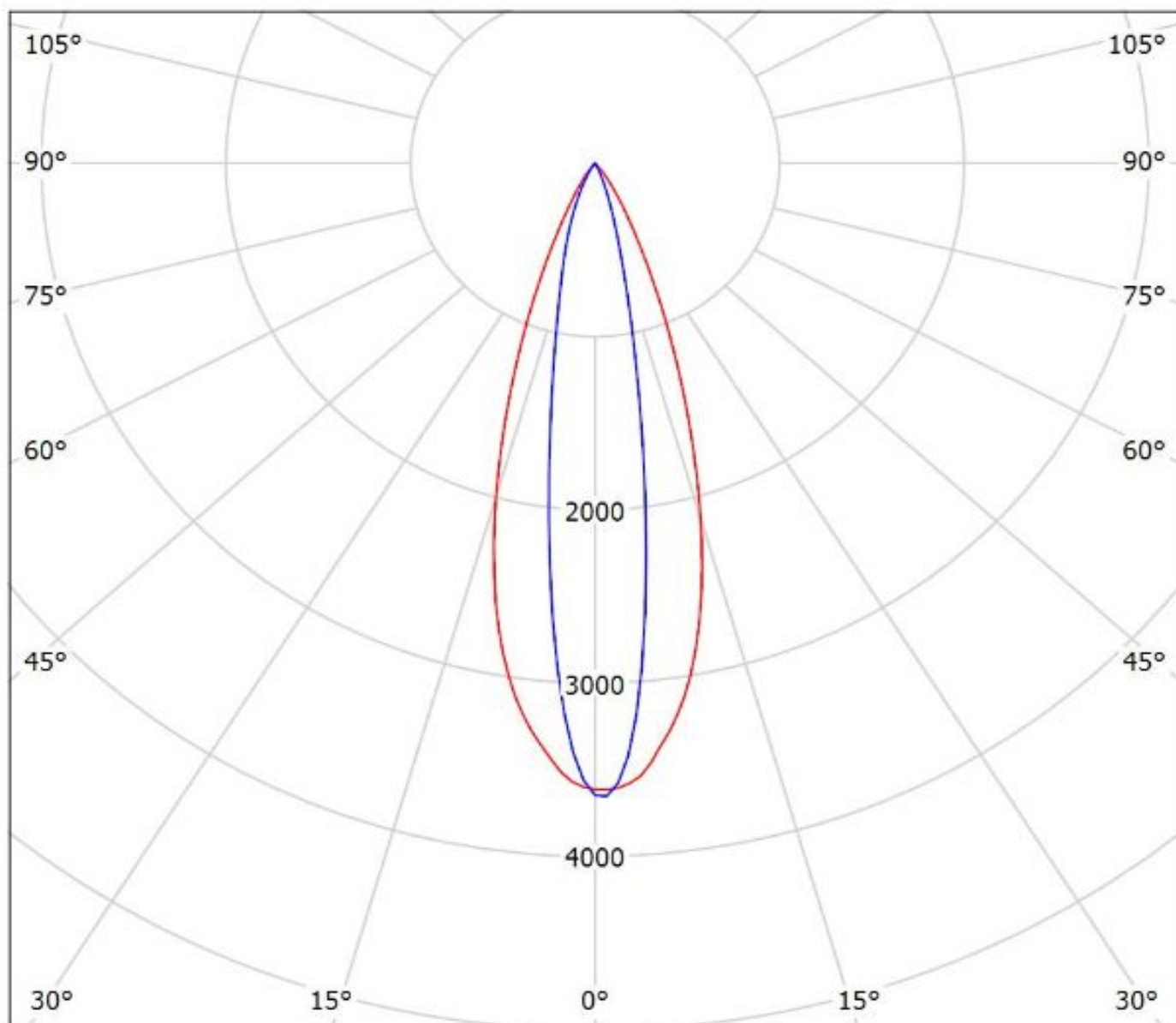
cd/klm

— C0 - C180 — C90 - C270

$\eta = 83\%$

Luminaire: Ledil CC15001_FLORENTINA-O_(LG_H35C1)

Lamps: 1 x LG_H35C1_x12_1386.4lm@250mA_P=8.5608W_I=0.25A



cd/klm

— C0 - C180 — C90 - C270

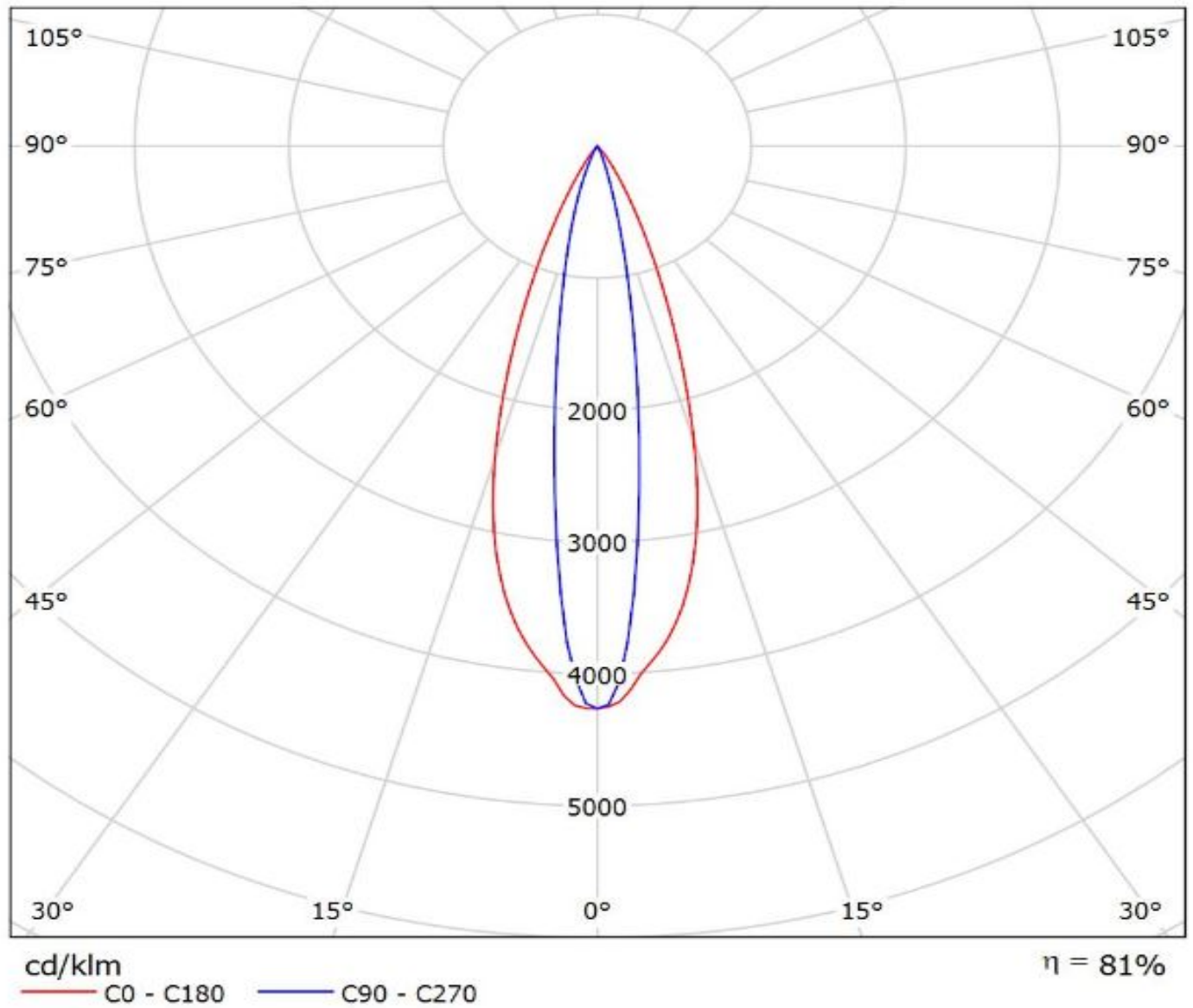
$\eta = 80\%$

Ledil CC15001_FLORENTINA-O_(Rebel_Plus) / LDC (Polar)

Luminaire: Ledil CC15001_FLORENTINA-O_(Rebel_Plus)

Lamps: 1 x Luxeon_Rebel_Plus_x12_(LX18-P140-3)

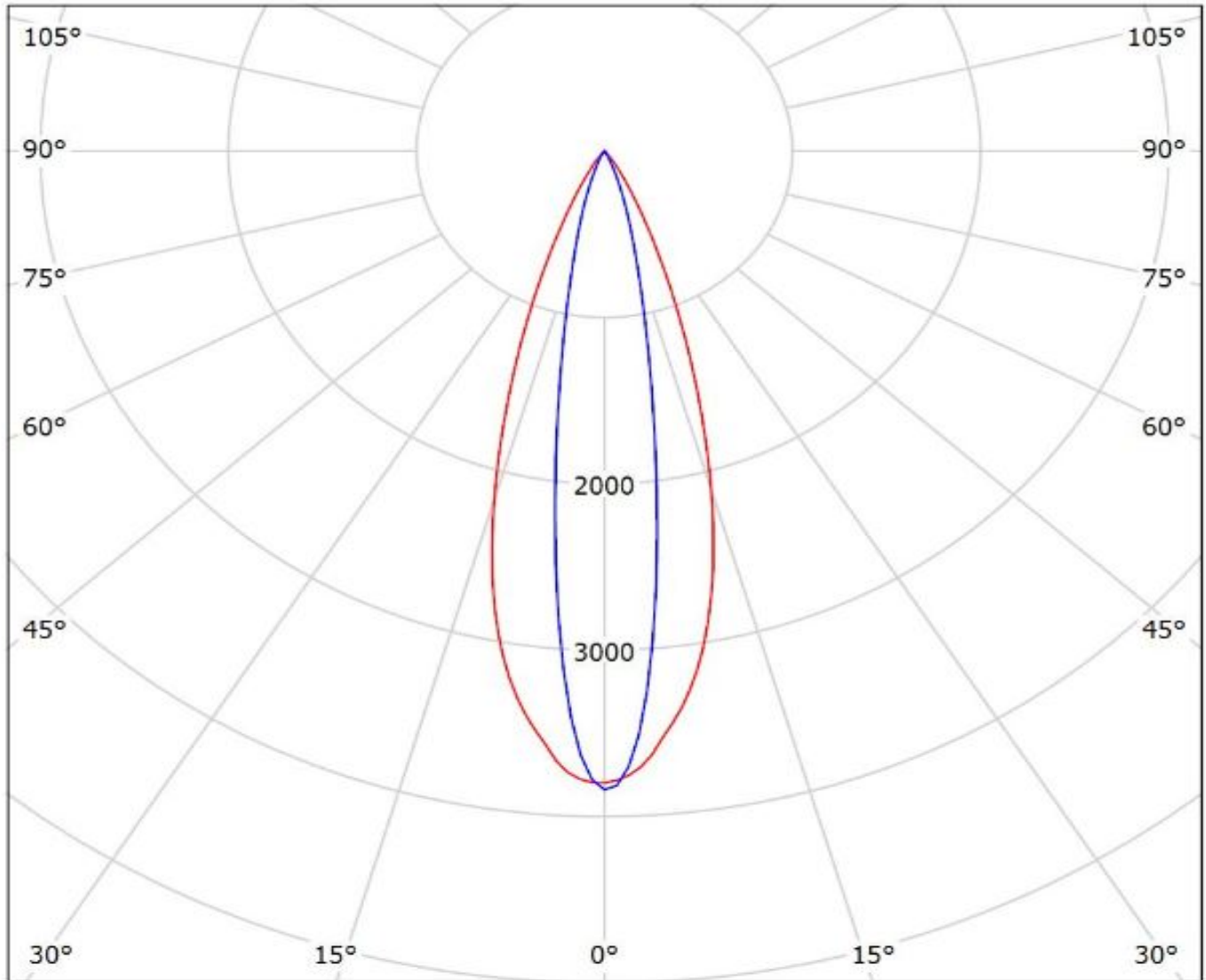
_1023.73lm@250mA_CCT=4000K_P=8.4525W_I=0.25A



Ledil CC15001_FLORENTINA-O_(Luxeon_TX) / LDC (Polar)

Luminaire: Ledil CC15001_FLORENTINA-O_(Luxeon_TX)

Lamps: 1 x Luxeon_TX_x12_(L1T2-5770)_1350.11lm@250mA_CCT=5700K_P=8.3223W_l=0.25A



cd/klm

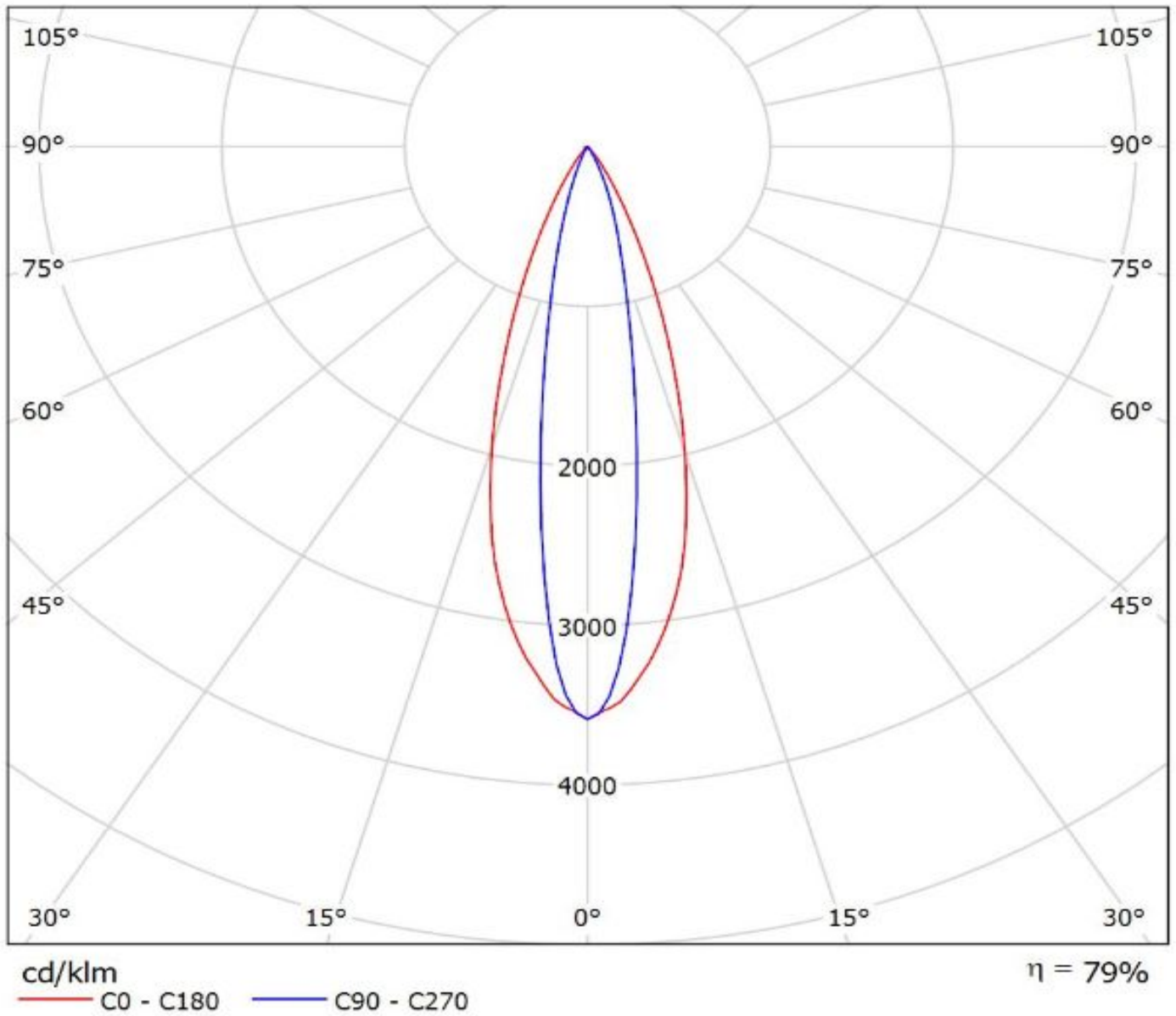
— C0 - C180 — C90 - C270

$\eta = 80\%$

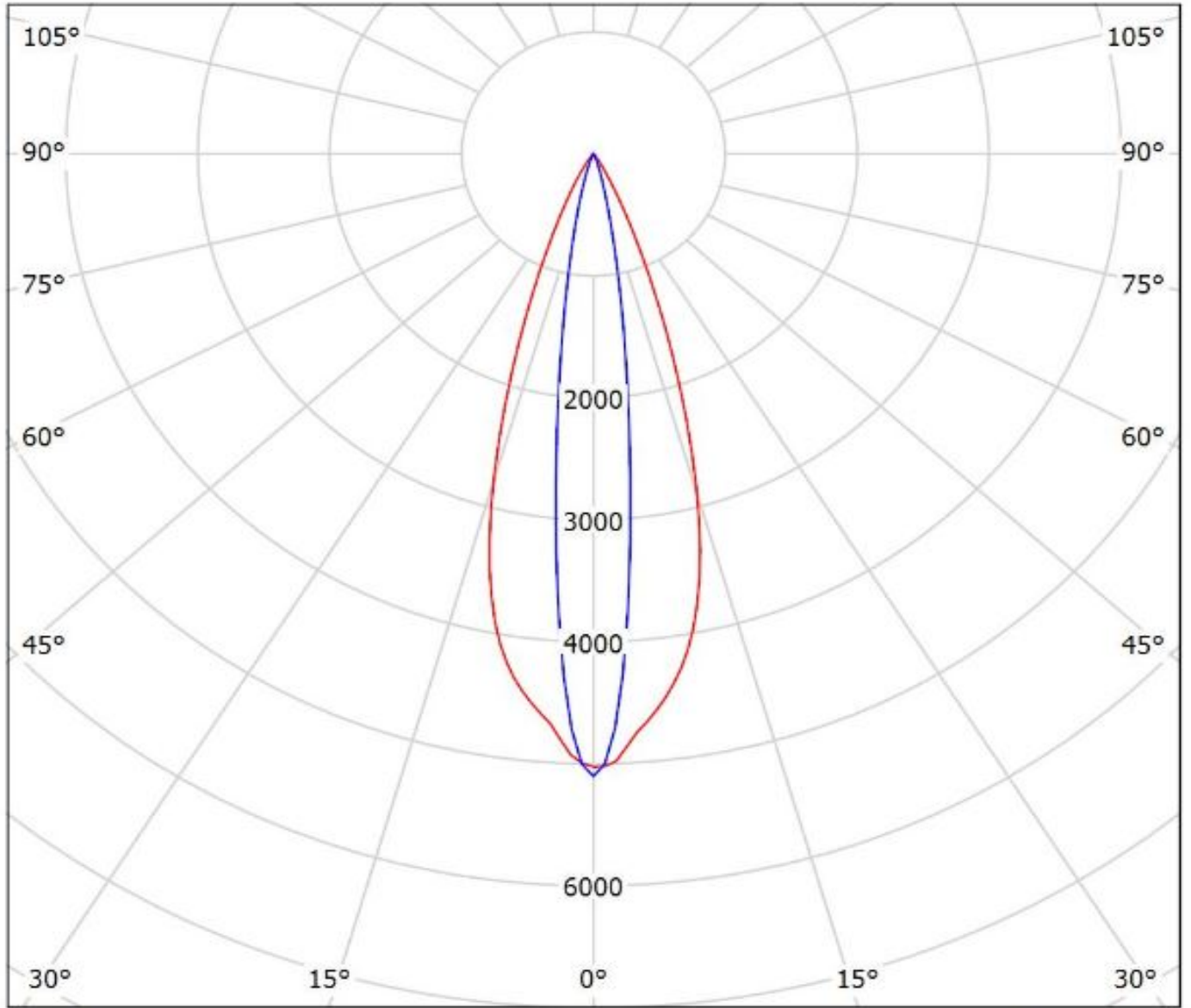
Ledil CC15001_FLORENTINA-O_(Rebel_ES) / LDC (Polar)

Luminaire: Ledil CC15001_FLORENTINA-O_(Rebel_ES)

Lamps: 1 x Luxeon_Rebel_ES_x12_(LXML-PWC2)_1133.87lm@250mA_P=8.6613W_I=0.25A



Luminaire: Ledil CC15001_FLORENTINA-O_(Luxeon_Z-ES)
Lamps: 1 x Luxeon_Z-ES_x12_934.806@250mA_P=8.3W_I=0.25A

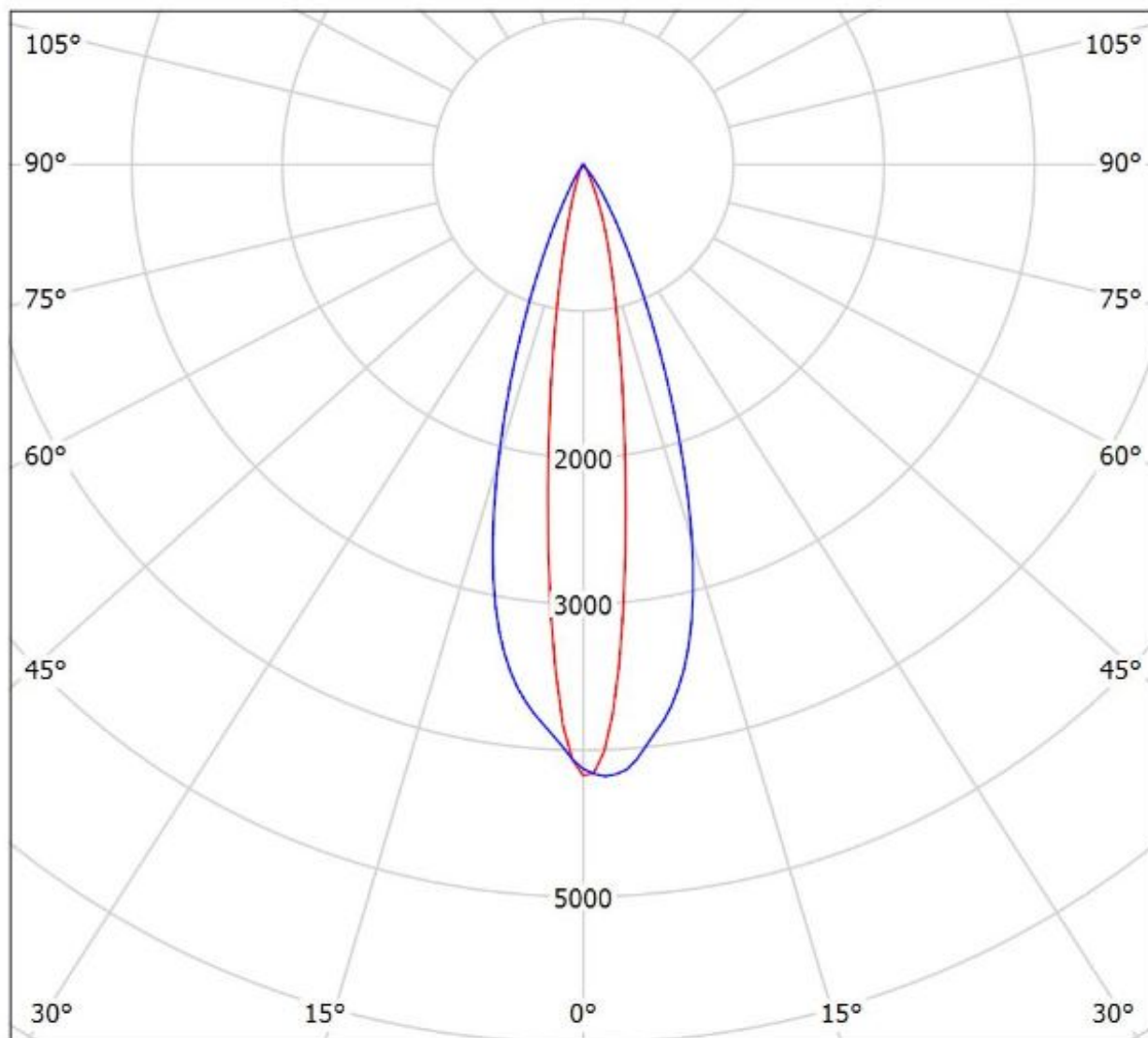


cd/klm
— C0 - C180 — C90 - C270

$\eta = 82\%$

Luminaire: Ledil CC15001_FLORENTINA-O_(NCSL219B)

Lamps: 1 x Nichia_NCSxx19B_x12_(NCSL219B)_935.439lm@250mA_P=8.9467W_I=0.25A



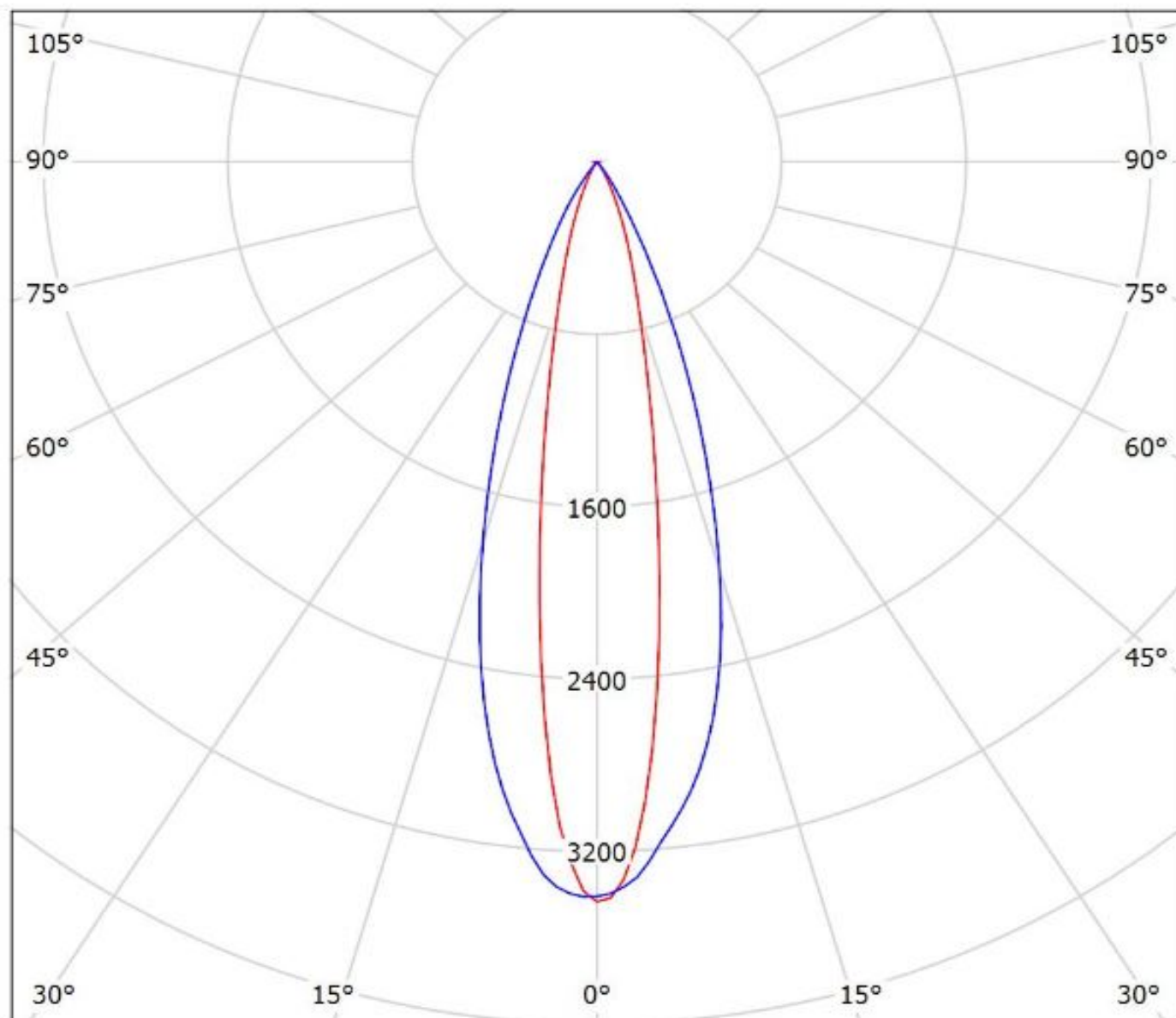
cd/klm

— C0 - C180 — C90 - C270

$\eta = 79\%$

Luminaire: Ledil CC15001_FLORENTINA-O_(NVSL219B)

Lamps: 1 x Nichia_NVSL219B_x12_1040.35@250mA_P=8.6165W_I=0.25A



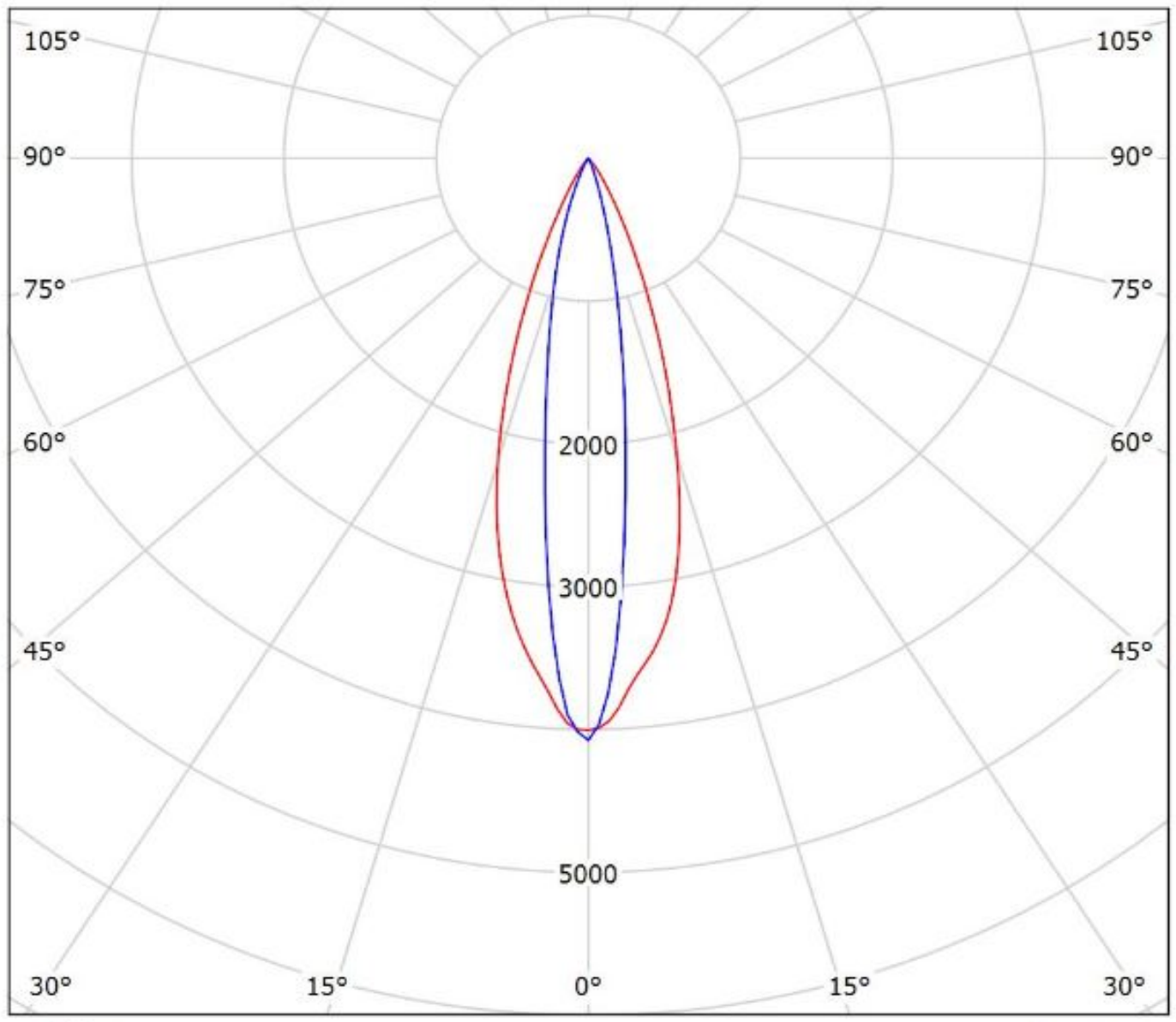
cd/klm

— C0 - C180 — C90 - C270

$\eta = 78\%$

Luminaire: Ledil CC15001_FLORENTINA-O_(Oslon_SSL_80)

Lamps: 1 x Oslon_SSL_80_828.64lm@250mA_CCT=?K_P=9.31W_I=0.250A



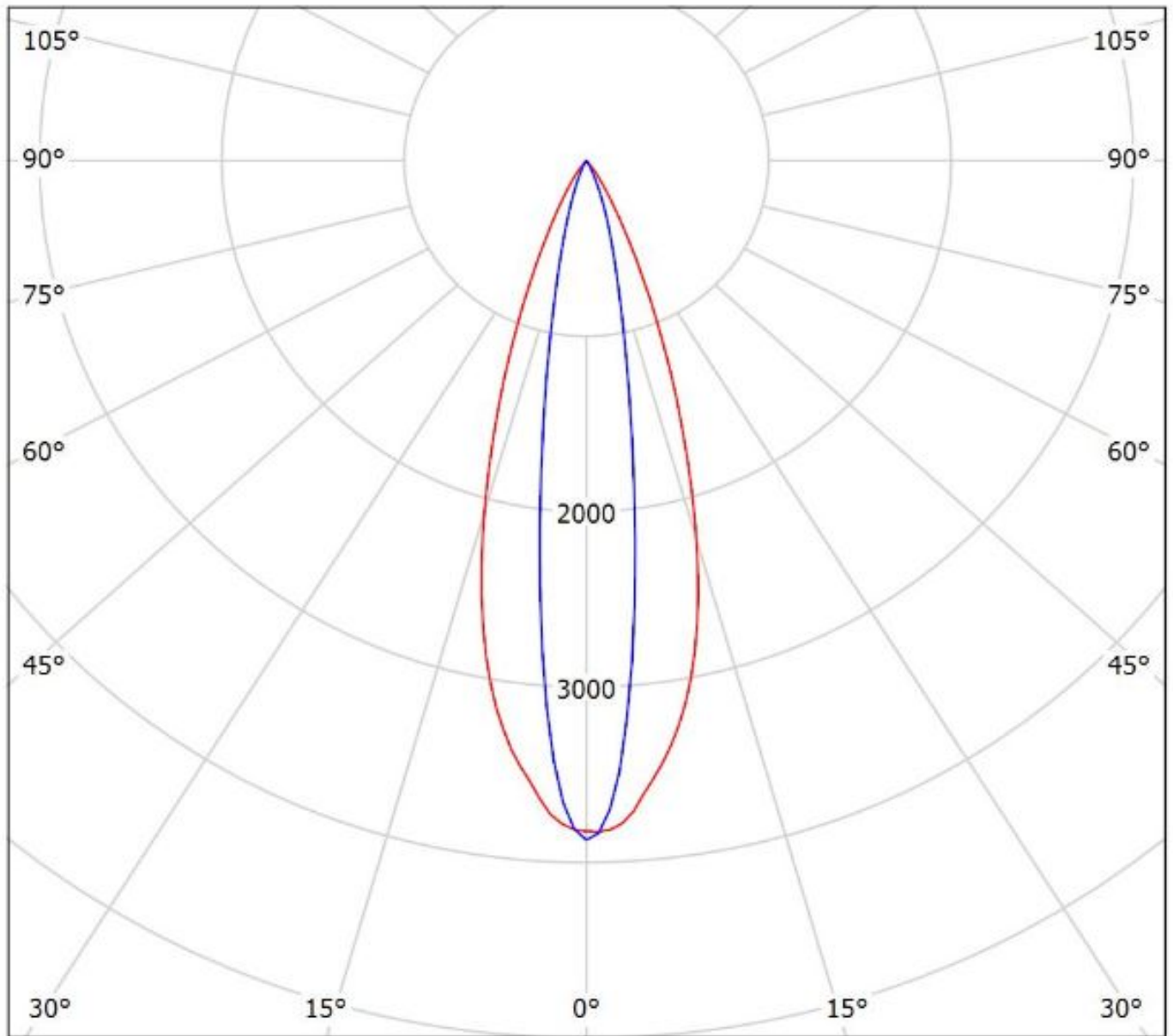
cd/klm

— C0 - C180 — C90 - C270

$\eta = 79\%$

Luminaire: Ledil CC15001_FLORENTINA-O_(SQ-EC)

Lamps: 1 x OSLOM_SQUARE-EC_x12_1046.45lm@250mA_P=8.3193W_I=0.25A

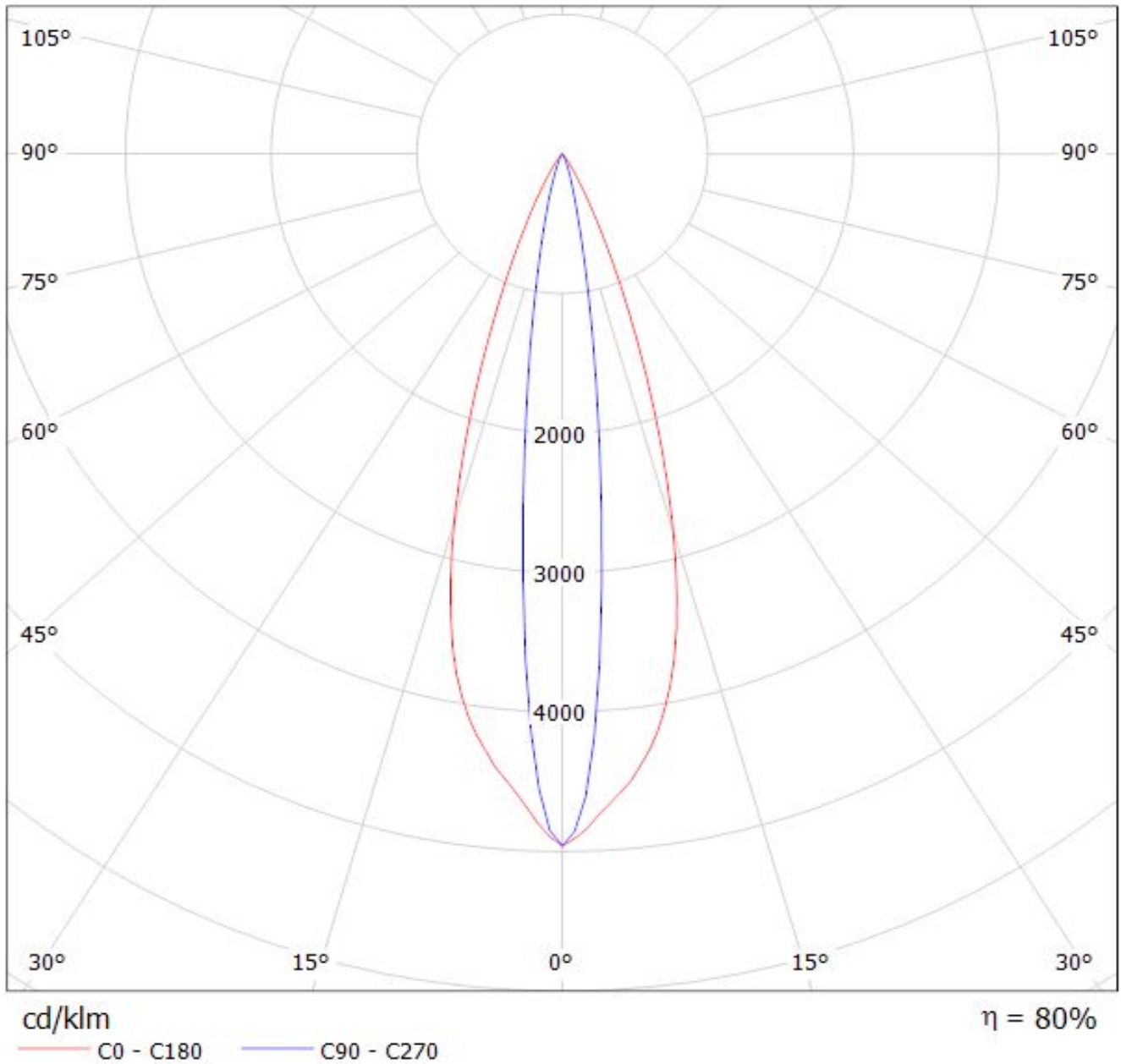


cd/klm

— C0 - C180 — C90 - C270

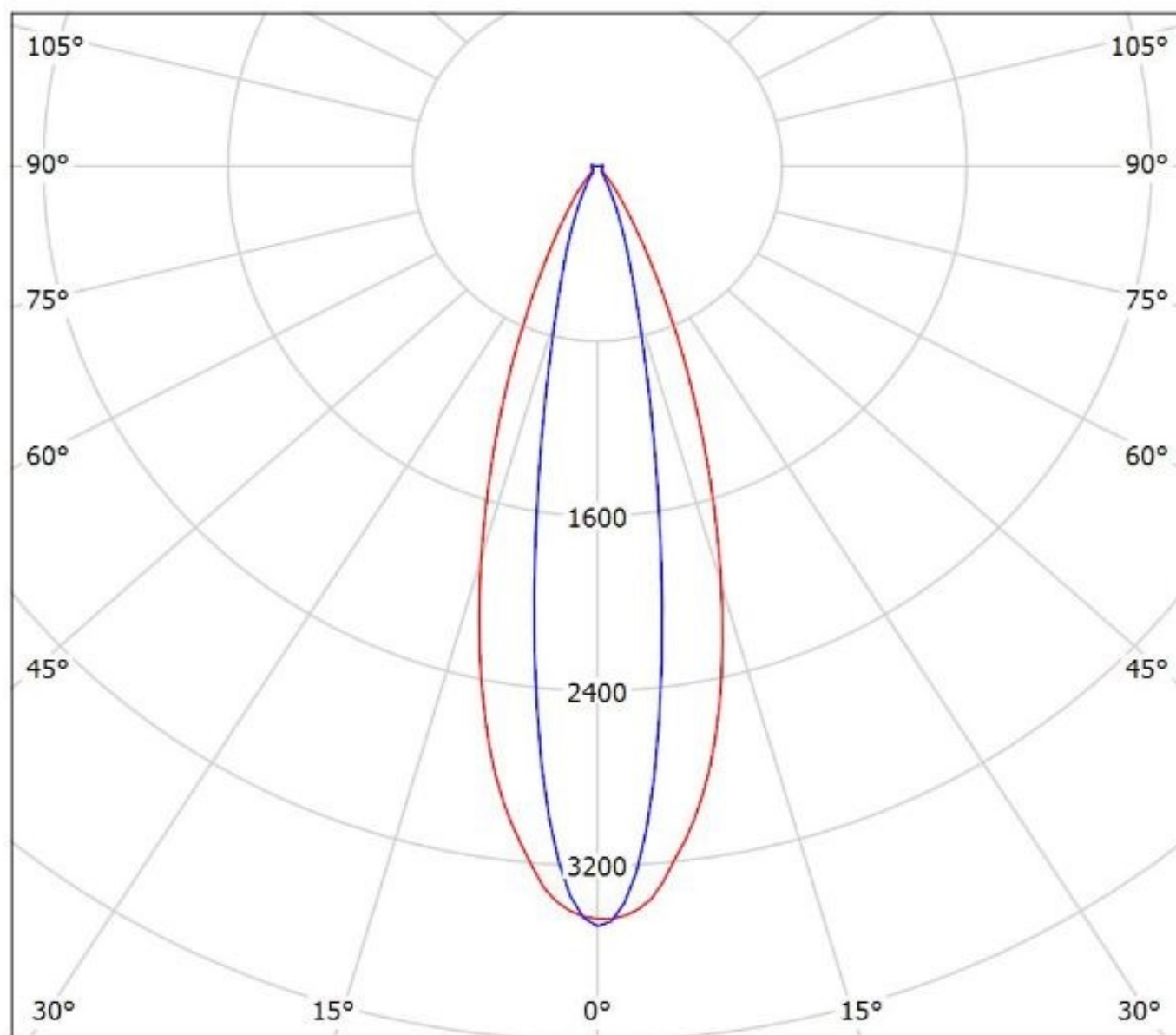
$\eta = 79\%$

Luminaire: Ledil CC15001_FLORENTINA-O_(SSL150)
Lamps: 1 x Oslon_SSL150_995.439lm@250mA_P=8.4375W_I=0.25A



Luminaire: Ledil CC15001_FLORENTINA-O_(LH351B)

Lamps: 1 x Samsung_LH351B_x12_1310.26@250mA_P=8.4105W_I=0.25A



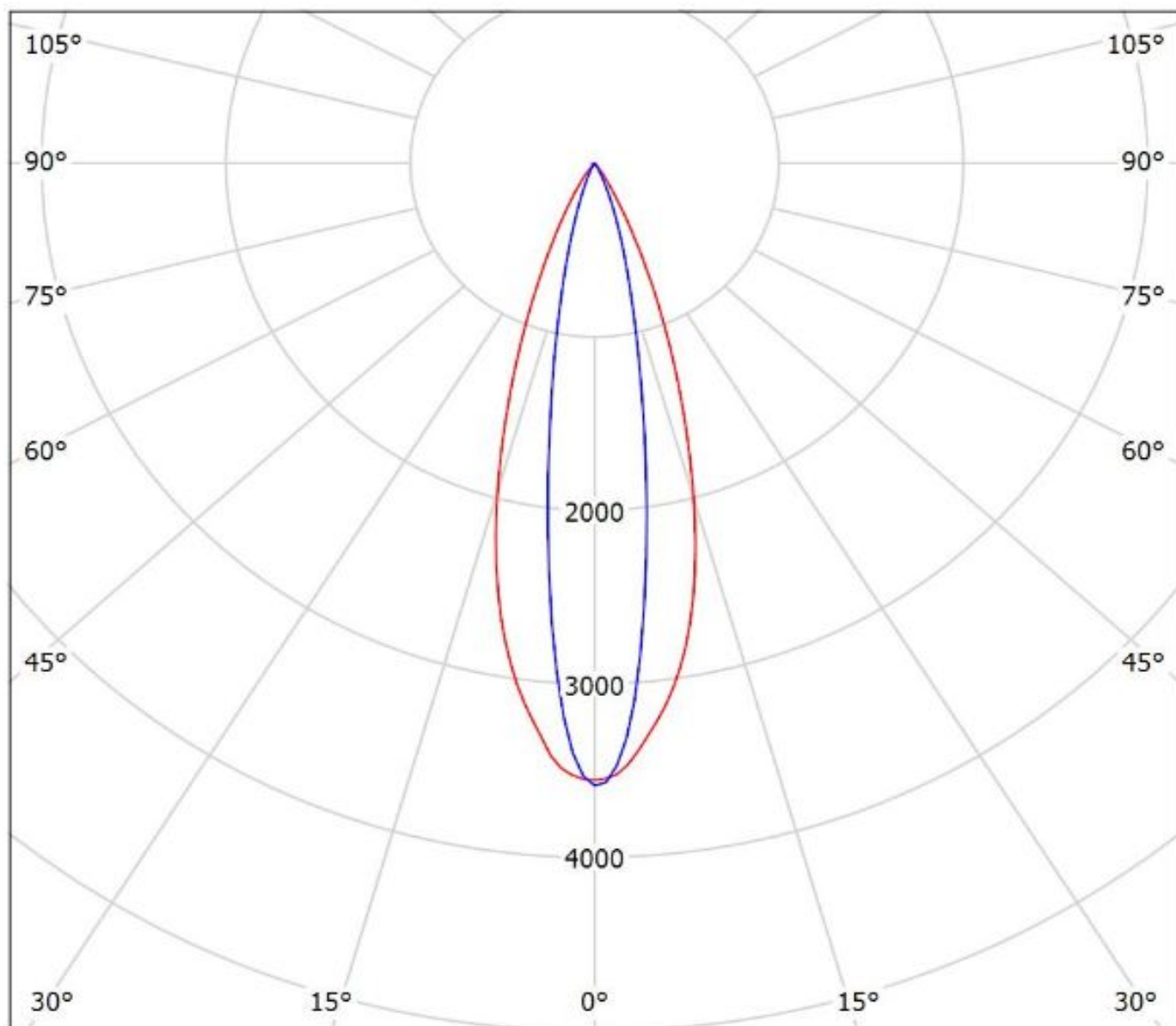
cd/klm

— C0 - C180 — C90 - C270

$\eta = 94 \%$

Luminaire: Ledil CC15001_FLORENTINA-O_(TL1L4)

Lamps: 1 x Toshiba_TL1L4_1140.96lm@250mA_P=8.3597W_I=0.25A



cd/klm

— C0 - C180 — C90 - C270

$\eta = 79\%$

NOTE: The typical divergence will be changed by different color, chip size and chip position tolerance. The typical total divergence is the full angle measured where the luminous intensity is half of the peak value.