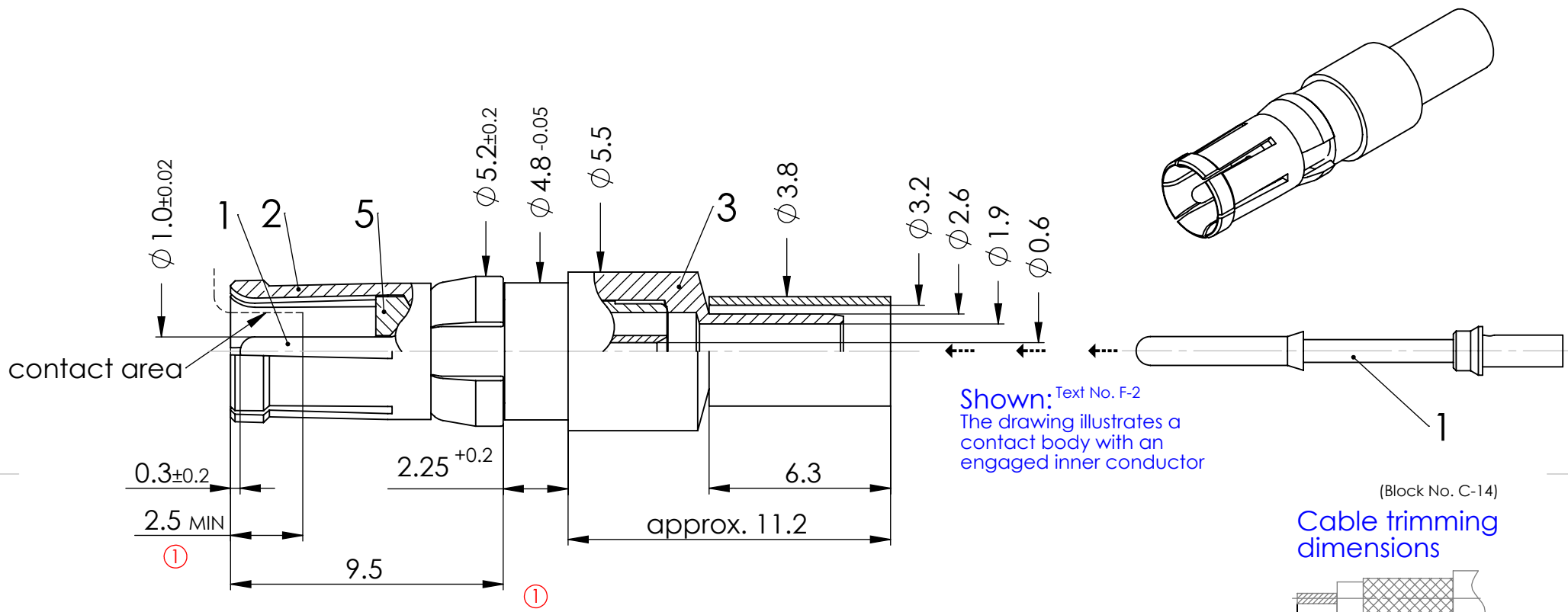


COMMENT:
 ALL RIGHTS ARE RESERVED BY US FOR THIS DRAWING. WITHOUT OUR PRIOR CONSENT,
 IT MAY NEITHER BE DUPLICATED NOR MADE AVAILABLE TO A THIRD PARTY,
 AND IT ALSO MAY NOT BE IMPROPERLY USED BY TE RECEIVER, OR A THIRD PARTY.



Text No. W-1
FCT tools:

Crimping of inner conductor:

Hand tool: M22520/2-01
 Locator: K1003

Pneumatic crimp tool: WA22
 Locator: K1003

Cable:
 AWG 24 / SEL. 5
 AWG 26 / SEL. 5
 AWG 28 / SEL. 4
 AWG 30 / SEL. 3

Text No. W-2
FCT tools:

Crimping of outer conductor:

Hand tool: M22520/5-01
 Die: Y1535P cavity B

Pneumatic crimp tool: HX23
 (replacement for PH4001) ②

Extraction tool: DRK38

IMPEDANCE	75 Ohm	
FOR	D-SUB	
DIMENSIONS IN MM	DRAWN	NAME / DATE
MATERIAL + FINISH SEE EXTRA SHEET	CHECKED	ffuhrmann 24-07-2006 sschref 17-10-2012
UNLESS OTHERWISE SPECIFIED DIMENSIONS FOR REFERENCE ONLY		
2	16-10-2012	23305
REV.	DATE	INDEX

COAXIAL CONTACT SCALE 5:1

FCT
 a molex company

ORIGINAL: DIN A4-DRAWING AS A FILE

CABLE	RG179BU, RG187AU, Belden 9221
DATA SHEET	
PART NO.	FMS002S
REV.	2
REPLACEMENT FOR:	
PAGE:	1/1