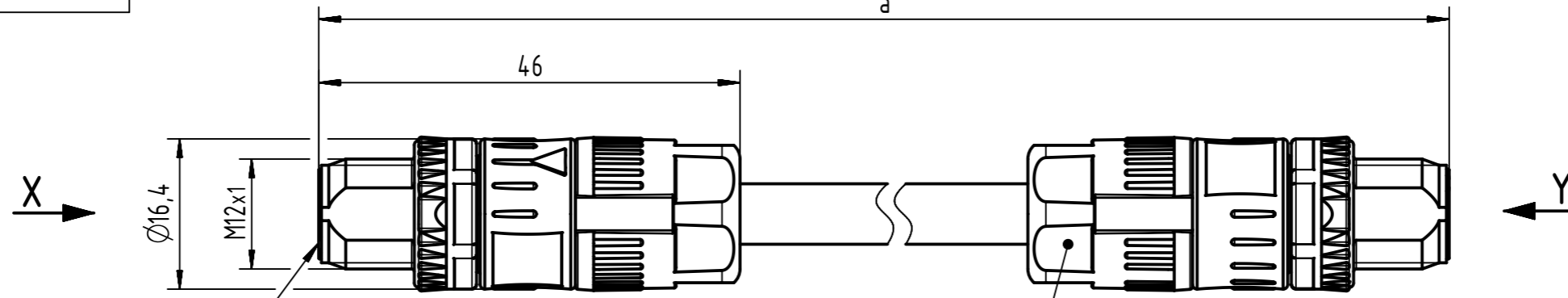


Connector Location A

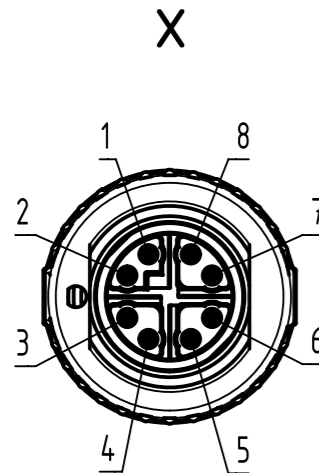
Connector Location B



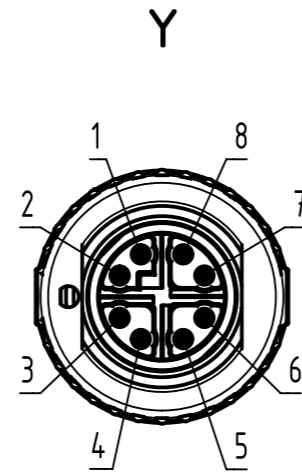
Mating face acc. to IEC 61076-2-109

M12 X-coded Slim Design,
crimp male straight 8-pole

Loading-Plan



Shield	
1	White/orange
2	Orange
3	White/green
4	Green
5	White/brown
6	Brown
7	White/blue
8	Blue



length in 1m step	100	XXX=000
	99	XXX=990
	.	.
	.	.
	.	.
length in 0.1m step	12	XXX=120
	11	XXX=110
	10	XXX=100
	9.9	XXX=099
	9.8	XXX=098
	.	.
	.	.
	.	.
Step	a [m]	XXX

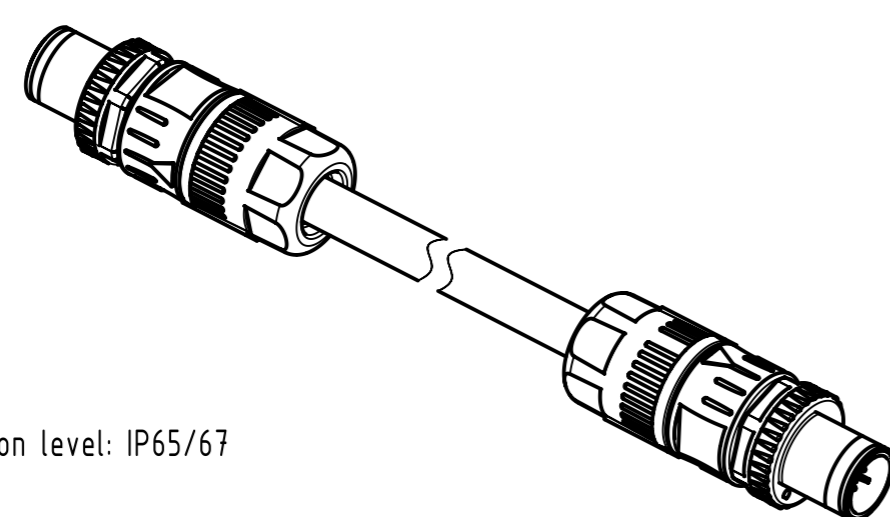
6.0 to 100	±1%
0.6 to 5.9	+0.04
0.2 to 0.5	+0.02
a [m]	Tolerance [m]

Part no.	213301018XXXXX
----------	----------------

Type of cable	Temp.	XX
RJI Ethernet stranded cable, 4x2xAWG26/7, Cat.6A, PUR, yellow	-40°C ... +80°C	XX=10
RJI Ethernet flexible cable, 4x2xAWG 26/7, Cat.7A, PUR yellow	-40°C ... +70°C	XX=50
RJI EtherRail cable 4x2xAWG 24/7, Cat.7, PE, black	-40°C ... +80°C	XX=53

	All Dimensions in mm	Tech. Character.	Free size tol.	According to production drawing
--	----------------------	------------------	----------------	---------------------------------

	All rights reserved	Created by COSTEA	Inspected by MUNTEANV	Standardisation AVRAM	Date 2017-09-20	State Final Release
	Department HCS - RO	Title M12 X-coded Cable Assembly				Doc-Key / ECM-Nr. 100542214/UGD/004/D 500000125542
HARTING Customised Solutions D-32427 Minden		Type TB	Number 213301018XXXXX		Rev. D	Page 1/1



- Protection level: IP65/67