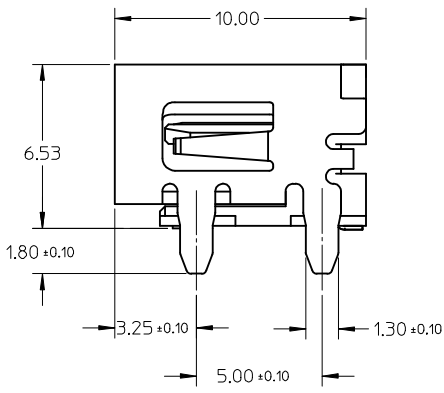
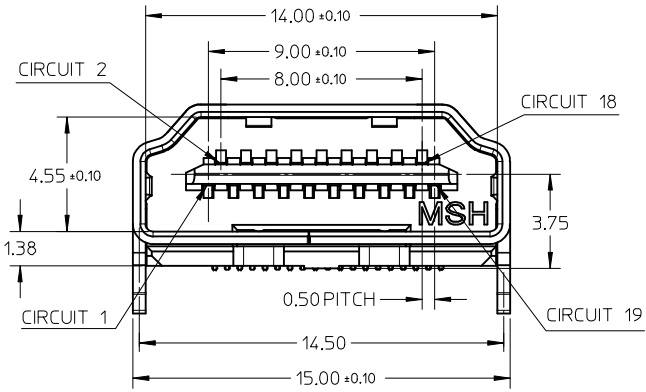
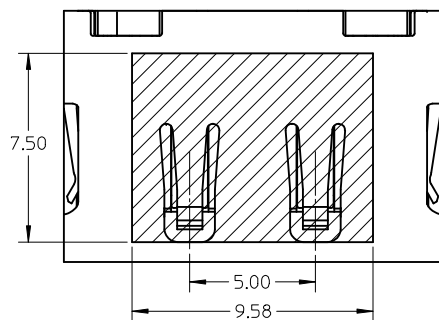


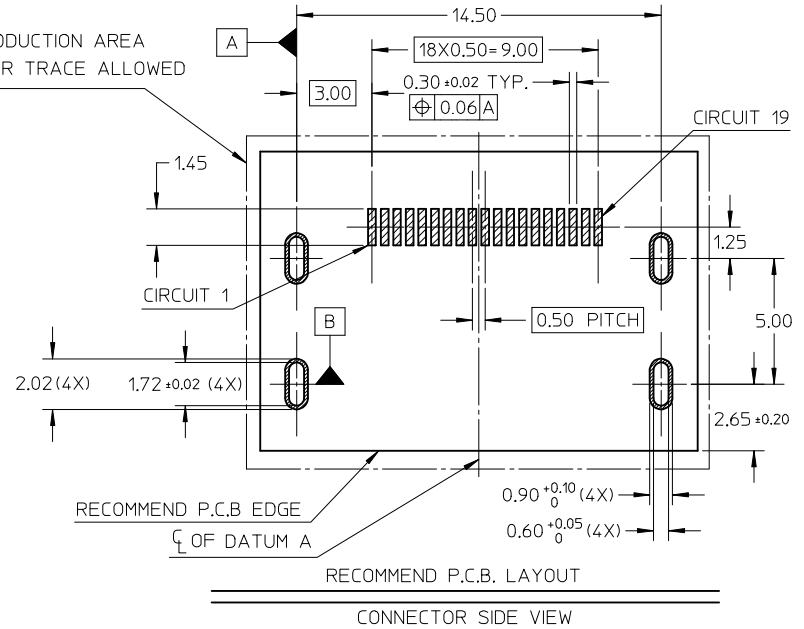
10 9 8 7 6 5 4 3 2 1

F
E
D
C
B
A

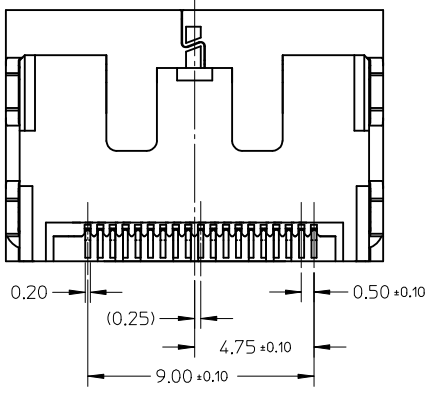
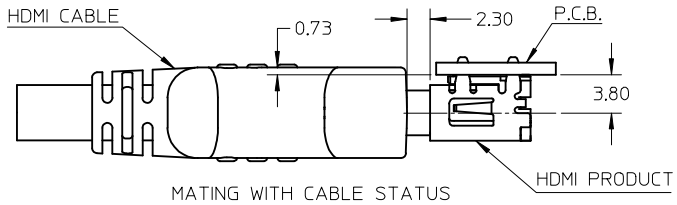
F
E
D
C
B
A



HDMI PRODUCTION AREA
NO OTHER TRACE ALLOWED



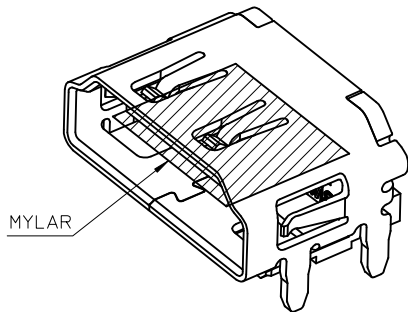
NOTES:
1. P.C.B. THICKNESS: 1.20±0.05mm.
2. TOLERANCE OF UNSPECIFIED DIMENSIONS ARE ±0.05mm



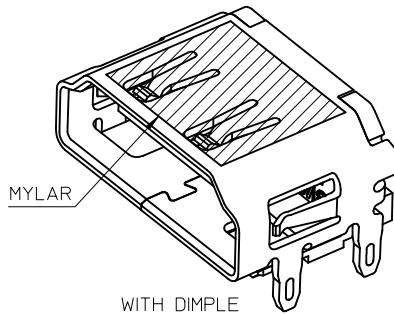
ADD NEW P/N EC NO: S2012-0578 DRWN: JZENG CHKD: JESSIECHUA APPR: NAGESHKAN 2012/01/31 2012/03/15 2012/03/19	DESCRIPTION REV G1	QUALITY SYMBOLS ▽=0 ◻=0	GENERAL TOLERANCES (UNLESS SPECIFIED)		DIMENSION STYLE MM ONLY	SCALE 10:1	DESIGN UNITS METRIC	THIRD ANGLE PROJECTION		
		4 PLACES ± --- ± --- 3 PLACES ± --- ± --- 2 PLACES ± 0.25 ± --- 1 PLACE ± --- ± ---	mm INCH	DRAWN BY TXUE	DATE 2006/02/13	TITLE 1.0 HDMI RIGHT ANGLE HEADER ASSEMBLY(19 PIN) REVERSE LEAD FREE				
		ANGULAR ± 3 °		CHECKED BY JTIAN	DATE 2006/02/13	MOLEX INCORPORATED				
		DRAFT WHERE APPLICABLE MUST REMAIN WITHIN DIMENSIONS		APPROVED BY GRMA	DATE 2006/02/13	MATERIAL NO. SEE SHEET 2	DOCUMENT NO. SD-47408-001	SHEET NO. 1 OF 2		

9 8 7 6 5 4 3 2 1

10	9	8	7	6	5	4	3	2	1
PART NO.	PLATING TYPE IN CONTACT AREA		PLATING TYPE ON SHELL	DIMPLE	REMARK				
474080001	GOLD PLATING 0.76 MICROMETER AND GOLD FASH		MATTE TIN	W/O	W/O MYLAR	NOTES: 1. MATERIAL: HOUSING: HIGH TEMPERATURE THERMAL PLASTIC. SHELL: COPPER ALLOY. TERMINAL: COPPER ALLOY. 2. PLATING: TERMINAL: CONTACT AREA: SEE TABLE. SOLDER AREA: 1 MICROMETER MIN. TIN ALLOY PLATED. UNDER PLATE: 1.27 MICROMETER MIN. NICKEL. SHELL: 1.27 MICROMETER MIN. MATTE TIN AND NICKEL PLATE OVERALL. 3. COPLANARITY IS 0.1MM MAX. 4. PRODUCT SPECIFICATION REFER TO PS-47152-001; TBA FOR PD/NI OPTION. 5. COMPLIANT TO RoHS DIRECTIVE 2002/95/EC AND ELV DIRECTIVE 2000/53/EC.			
474080101	GOLD PLATING 0.25 MICROMETER								
474080201	GOLD FLASH								
474081001	GOLD PLATING 0.76 MICROMETER AND GOLD FASH								
474081101	GOLD PLATING 0.25 MICROMETER								
474081201	GOLD FLASH								
474080011	GOLD PLATING 0.76 MICROMETER AND GOLD FASH			WITH	W/O MYLAR				
474080111	GOLD PLATING 0.25 MICROMETER								
474080211	GOLD FLASH								
474081011	GOLD PLATING 0.76 MICROMETER AND GOLD FASH								
474081111	GOLD PLATING 0.25 MICROMETER								
474081211	GOLD FLASH		SOLDERABLE NICKEL	W/O	W/O MYLAR				
474082001	GOLD PLATING 0.76 MICROMETER AND GOLD FASH								
474082101	GOLD PLATING 0.25 MICROMETER								
474082201	GOLD FLASH								
474083001	GOLD PLATING 0.76 MICROMETER AND GOLD FASH								
474083101	GOLD PLATING 0.25 MICROMETER			WITH	W/O MYLAR				
474083201	GOLD FLASH								
474082011	GOLD PLATING 0.76 MICROMETER AND GOLD FASH								
474082111	GOLD PLATING 0.25 MICROMETER								
474082211	GOLD FLASH								
474083011	GOLD PLATING 0.76 MICROMETER AND GOLD FASH		W/O	WITH MYLAR					
474083111	GOLD PLATING 0.25 MICROMETER								
474083211	GOLD FLASH								
474080301	GOLD PLATING 0.05 MICROMETER OVER								
474081301	PD/NI 0.70 MICROMETER								



WITHOUT DIMPLE



WITH DIMPLE

ADD NEW P/N EC NO: S2012-0578 DRWN: JZENG 2012/01/31 CHKD: JESSIECHUA 2012/03/15 APPR: NAGESHKIN 2012/03/19	QUALITY SYMBOLS 	GENERAL TOLERANCES (UNLESS SPECIFIED) <table border="1"> <thead> <tr> <th></th> <th>mm</th> <th>INCH</th> </tr> </thead> <tbody> <tr> <td>4 PLACES</td> <td>± ---</td> <td>± ---</td> </tr> <tr> <td>3 PLACES</td> <td>± ---</td> <td>± ---</td> </tr> <tr> <td>2 PLACES</td> <td>± 0.25</td> <td>± ---</td> </tr> <tr> <td>1 PLACE</td> <td>± ---</td> <td>± ---</td> </tr> </tbody> </table>		mm	INCH	4 PLACES	± ---	± ---	3 PLACES	± ---	± ---	2 PLACES	± 0.25	± ---	1 PLACE	± ---	± ---	DIMENSION STYLE MM ONLY DRAWN BY: TXUE DATE: 2006/02/13 CHECKED BY: JTIAN DATE: 2006/02/13 APPROVED BY: GRMA DATE: 2006/02/13	SCALE 10:1 DESIGN UNITS METRIC 	THIRD ANGLE PROJECTION	TITLE 1.0 HDMI RIGHT ANGLE HEADER ASSEMBLY(19 PIN) REVERSE LEAD FREE	MATERIAL NO. SEE TABLE	DOCUMENT NO. SD-47408-001	SHEET NO. 2 OF 2
				mm	INCH																			
			4 PLACES	± ---	± ---																			
			3 PLACES	± ---	± ---																			
			2 PLACES	± 0.25	± ---																			
1 PLACE	± ---	± ---																						
DRAFT WHERE APPLICABLE MUST REMAIN WITHIN DIMENSIONS	SIZE A3	THIS DRAWING CONTAINS INFORMATION THAT IS PROPRIETARY TO MOLEX INCORPORATED AND SHOULD NOT BE USED WITHOUT WRITTEN PERMISSION																						
		MOLEX INCORPORATED																						
		MOLEX INCORPORATED																						
		MOLEX INCORPORATED																						