

600V Cascode GaN FET TO-220 Series

Description

The TPH3202P Series 600V, 290mΩ gallium nitride (GaN) FETs are normally-off devices. Transphorm GaN FETs offer better efficiency through lower gate charge, faster switching speeds, and smaller reverse recovery charge, delivering significant advantages over traditional silicon (Si) devices.

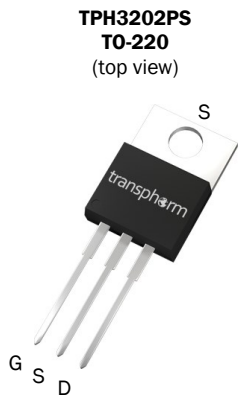
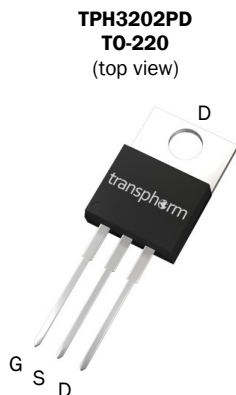
Transphorm is a leading-edge wide band gap supplier with world-class innovation and a portfolio of fully-qualified GaN transistors that enables increased performance and reduced overall system size and cost.

Related Literature

- [AN0003](#): Printed Circuit Board Layout and Probing
- [AN0002](#): Characteristics of GaN Power Switches

Product Series and Ordering Information

Part Number	Package	Package Configuration
TPH3202PD	3 Lead TO-220	Common Drain
TPH3202PS	3 Lead TO-220	Common Source



Features

- Easy to drive—compatible with standard gate drivers
- Low conduction and switching losses
- Low Q_{rr} of 29nC—no free-wheeling diode required
- GSD pin layout improves high speed design
- JEDEC-qualified GaN technology
- RoHS compliant and Halogen-free

Benefits

- Increased efficiency through fast switching
- Increased power density
- Reduced system size and weight
- Enables more efficient topologies—easy to implement bridgeless totem-pole designs
- Lower BOM cost

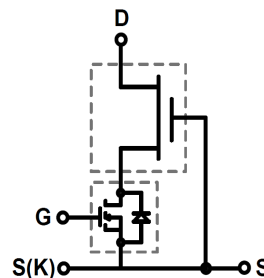
Applications

- Renewable energy
- Industrial
- Automotive
- Telecom and datacom
- Servo motors

Key Specifications

V_{DS} (V) min	600
V_{TDS} (V) max	750
$R_{DS(on)}$ (mΩ) max*	350
Q_{rr} (nC) typ	29
Q_g (nC) typ	6.2

* Dynamic $R_{(on)}$



Cascode Device Structure

TPH3202P Series

Absolute Maximum Ratings ($T_C=25^\circ\text{C}$ unless otherwise stated)

Symbol	Parameter	Limit Value	Unit
$I_{D25^\circ\text{C}}$	Continuous drain current @ $T_C=25^\circ\text{C}$	9	A
$I_{D100^\circ\text{C}}$	Continuous drain current @ $T_C=100^\circ\text{C}$	6	A
I_{DM}	Pulsed drain current (pulse width: 100 μs)	35	A
V_{DSS}	Drain to source voltage	600	V
V_{TDS}	Transient drain to source voltage ^a	750	V
V_{GSS}	Gate to source voltage	± 18	V
$P_{D25^\circ\text{C}}$	Maximum power dissipation	65	W
T_C	Operating temperature	Case	-55 to +150
T_J		Junction	-55 to +175
T_S	Storage temperature	-55 to +150	$^\circ\text{C}$
T_{CSOLD}	Soldering peak temperature ^b	260	$^\circ\text{C}$

Thermal Resistance

Symbol	Parameter	Typical	Unit
$R_{\theta JC}$	Junction-to-case	2.3	$^\circ\text{C}/\text{W}$
$R_{\theta JA}$	Junction-to-ambient	62	$^\circ\text{C}/\text{W}$

Notes:

- a. In off-state, spike duty cycle $D < 0.1$, spike duration $< 1\mu\text{s}$
- b. For 10 sec., 1.6mm from the case

TPH3202P Series

Electrical Parameters (T_C=25 °C unless otherwise stated)

Symbol	Parameter	Min	Typ	Max	Unit	Test Conditions
Forward Device Characteristics						
V _{DSS-MAX}	Maximum drain-source voltage	600	—	—	V	V _{GS} =0V
V _{GS(th)}	Gate threshold voltage	1.6	2	2.5	V	V _{DS} =V _{GS} , I _D =250μA
R _{DS(on)}	Drain-source on-resistance (T _J =25 °C) ^a	—	290	350	mΩ	V _{GS} =8V, I _D =5.5A, T _J =25 °C
	Drain-source on-resistance (T _J =175 °C) ^a	—	670	—		V _{GS} =8V, I _D =5.5A, T _J =175 °C
I _{DSS}	Drain-to-source leakage current (T _J =25 °C)	—	2.5	30	μA	V _{DS} =600V, V _{GS} =0V, T _J =25 °C
	Drain-to-source leakage current (T _J =150 °C)	—	8	—		V _{DS} =600V, V _{GS} =0V, T _J =150 °C
I _{GSS}	Gate-to-source forward leakage current	—	—	100	nA	V _{GS} =18V
	Gate-to-source reverse leakage current	—	—	-100		V _{GS} =-18V
C _{ISS}	Input capacitance	—	760	—	pF	V _{GS} =0V, V _{DS} =480V, f=1MHz
C _{OSS}	Output capacitance	—	26	—		
C _{RSS}	Reverse transfer capacitance	—	3.5	—		
C _{O(er)}	Output capacitance, energy related ^b	—	36	—	pF	V _{GS} =0V, V _{DS} =0V to 480V
C _{O(tr)}	Output capacitance, time related ^c	—	57	—		
Q _g	Total gate charge ^d	—	6.2	9.3	nC	V _{DS} =100V ^a , V _{GS} =0V to 4.5V, I _D =5.5A
Q _{gs}	Gate-source charge	—	2.1	—		
Q _{gd}	Gate-drain charge	—	2.2	—		
t _{d(on)}	Turn-on delay	—	6.2	—	ns	V _{DS} =400V, V _{GS} =0V to 10V, I _D =5.5A, R _G =2Ω
t _r	Rise time	—	4.5	—		
T _{d(off)}	Turn-off delay	—	9.7	—		
t _f	Fall time	—	5	—		
Reverse Device Characteristics						
I _S	Reverse current	—	—	6	A	V _{GS} =0V, T _C =100 °C ≤50% Duty Cycle
V _{SD}	Reverse voltage ^a	—	2.9	—	V	V _{GS} =0V, I _S =6A, T _J =25 °C
		—	4.8	—		V _{GS} =0V, I _S =6A, T _J =175 °C
		—	2.2	—		V _{GS} =0V, I _S =3A, T _J =25 °C
t _{rr}	Reverse recovery time	—	11.5	—	ns	I _S =5.5A, V _{DD} =480V, di/dt=1500A/μs, T _J =25 °C
Q _{rr}	Reverse recovery charge	—	29	—	nC	

Notes:

- Dynamic value
- Equivalent capacitance to give same stored energy from 0V to 480V
- Equivalent capacitance to give same charging time from 0V to 480V
- Q_g does not change for V_{DS}>100V

TPH3202P Series

Typical Characteristics (25 °C unless otherwise stated)

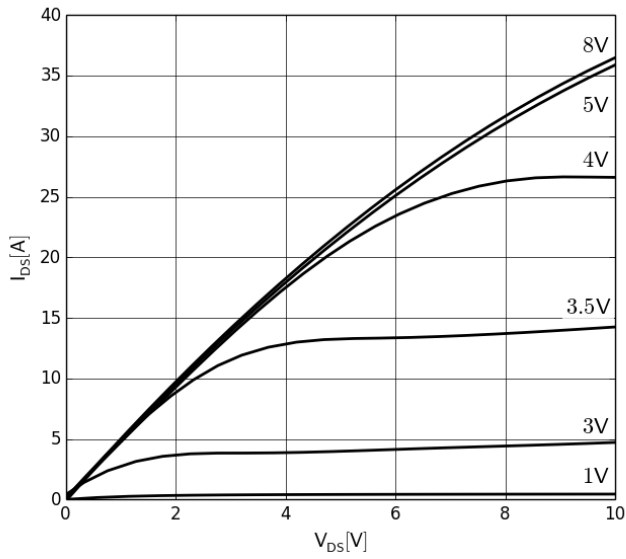


Figure 1. Typical Output Characteristics $T_J=25^\circ\text{C}$
Parameter: V_{GS}

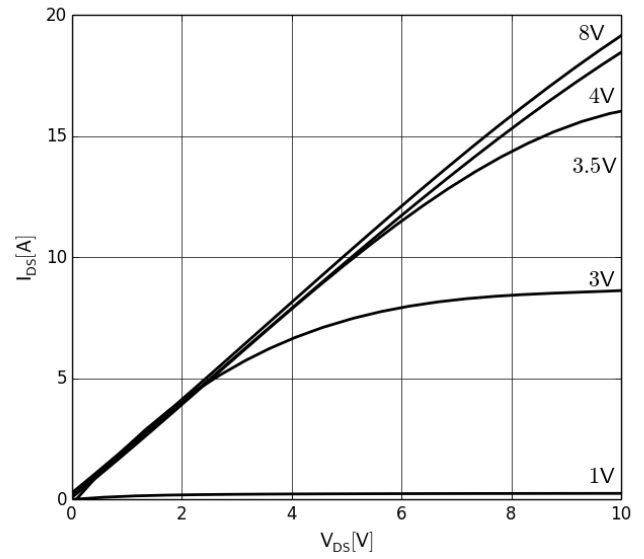


Figure 2. Typical Output Characteristics $T_J=175^\circ\text{C}$
Parameter: V_{GS}

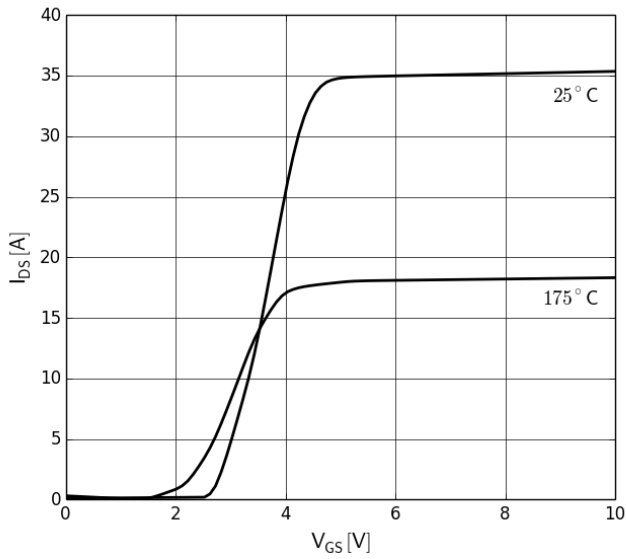


Figure 3. Typical Transfer Characteristics
 $V_{DS}=10\text{V}$, parameter: T_J

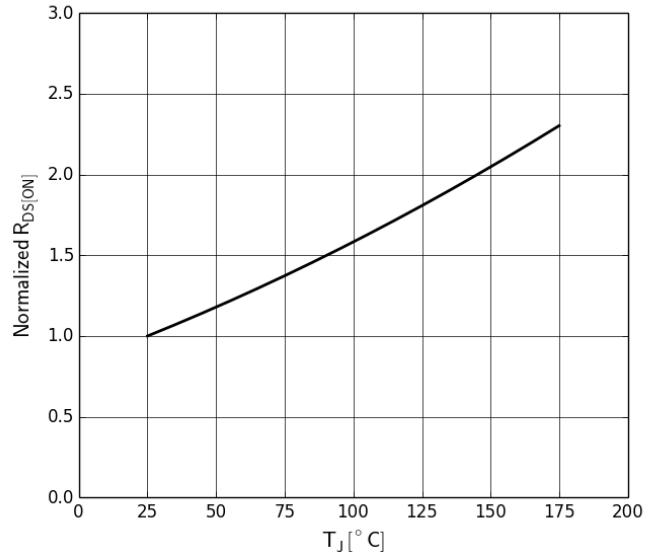


Figure 4. Normalized On-Resistance
 $I_D=6\text{A}$, $V_{GS}=8\text{V}$

TPH3202P Series

Typical Characteristics (25 °C unless otherwise stated)

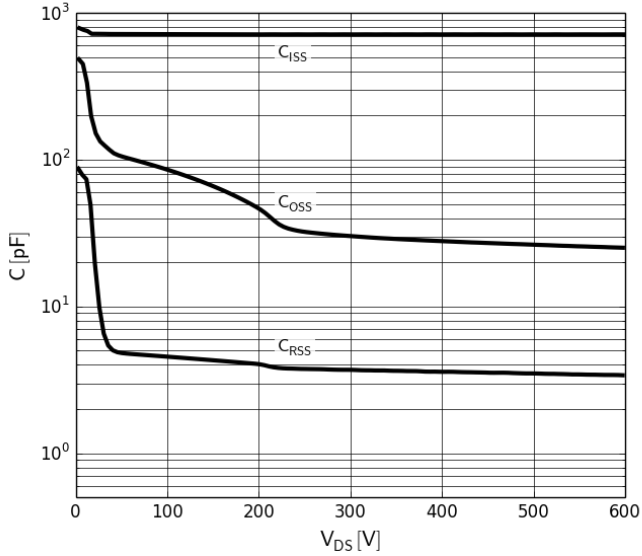


Figure 5. Typical Capacitance

$V_{GS}=0V$, $f=1MHz$

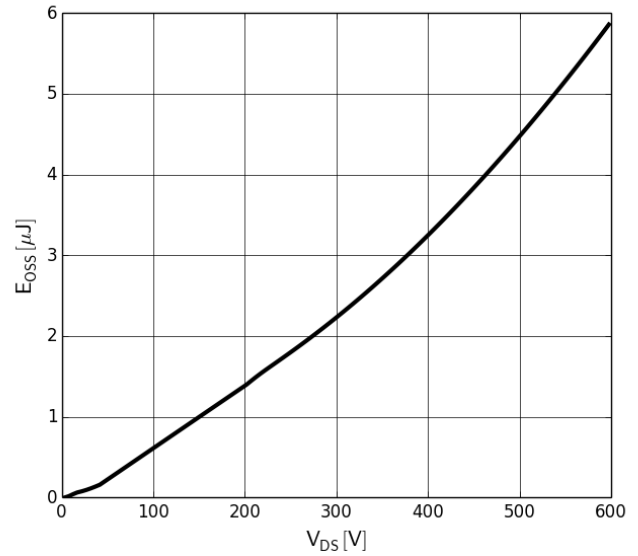


Figure 6. Typical C_{OSS} Stored Energy

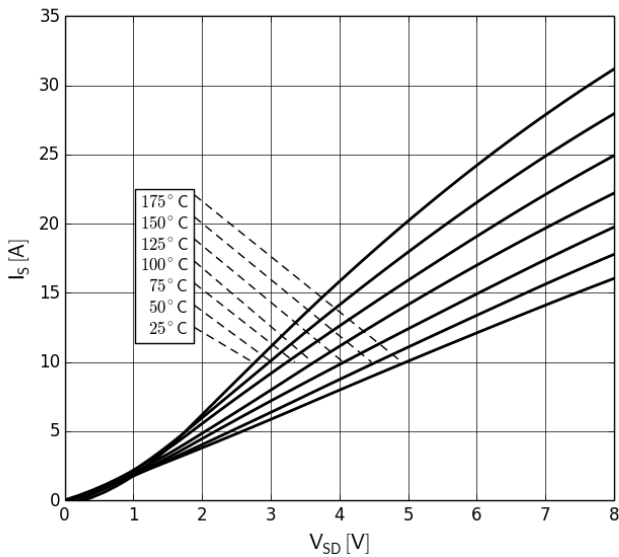


Figure 7. Forward Characteristics of Rev. Diode

$I_S=f(V_{SD})$, parameter: T_J

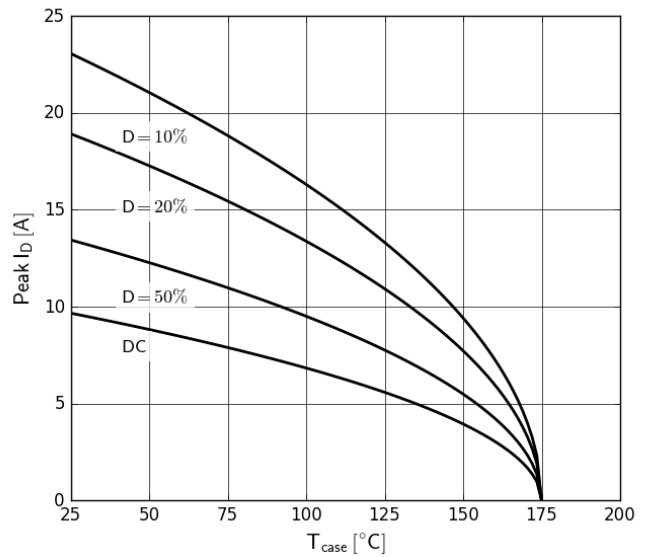


Figure 8. Current Derating

Pulse width $\leq 100\mu s$

TPH3202P Series

Typical Characteristics (25 °C unless otherwise stated)

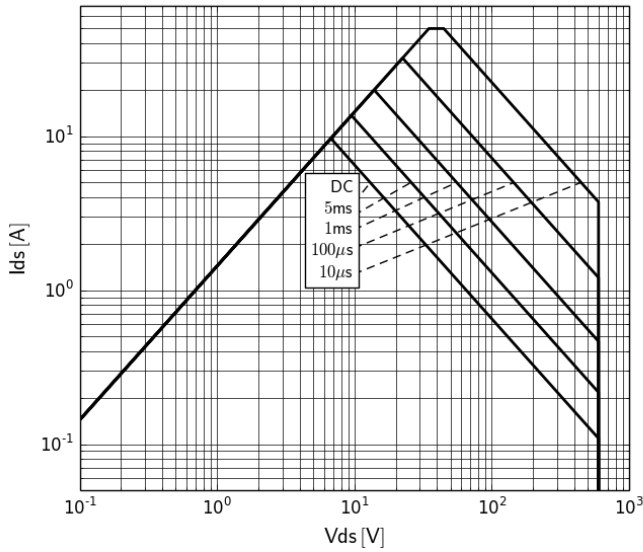


Figure 9. Safe Operating Area $T_C=25^\circ\text{C}$
(calculated based on thermal limit)

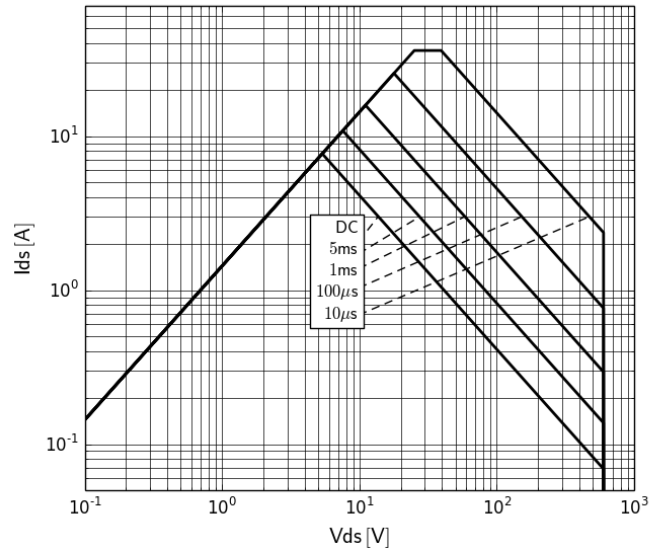


Figure 10. Safe Operating Area $T_C=80^\circ\text{C}$
(calculated based on thermal limit)

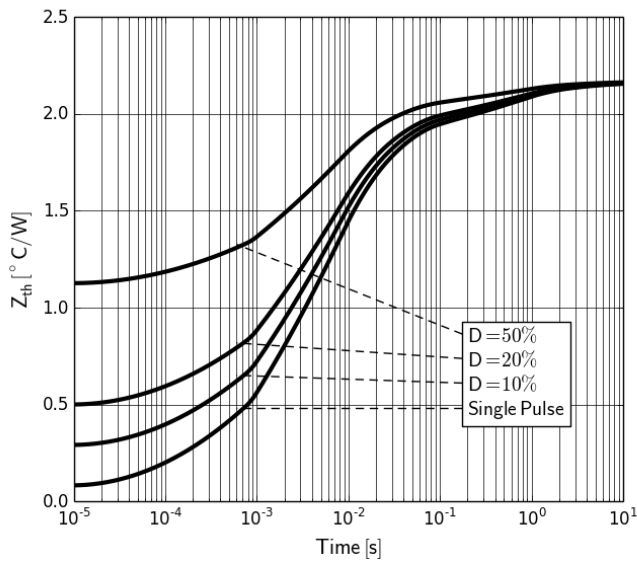


Figure 11. Transient Thermal Resistance

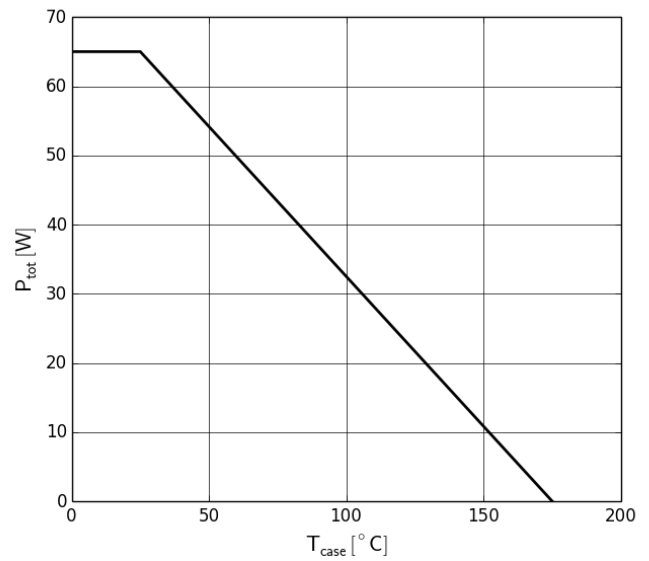


Figure 12. Power Dissipation

TPH3202P Series

Test Circuits and Waveforms

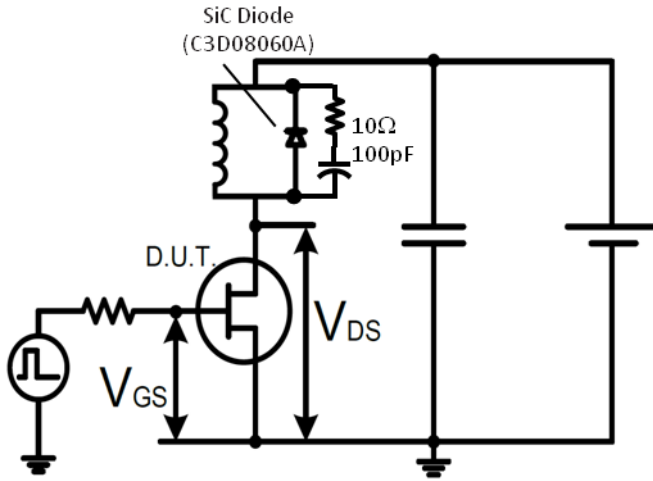


Figure 13. Switching Time Test Circuit

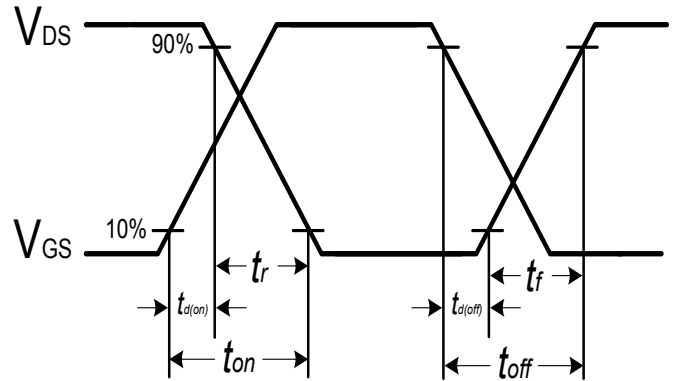


Figure 14. Switching Time Waveform

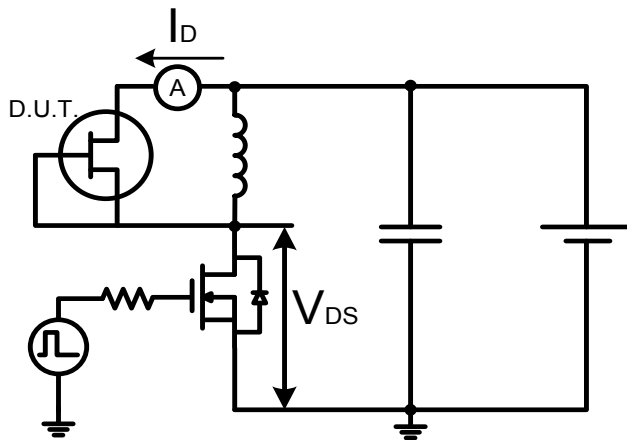


Figure 15. Test Circuit for Diode Characteristics

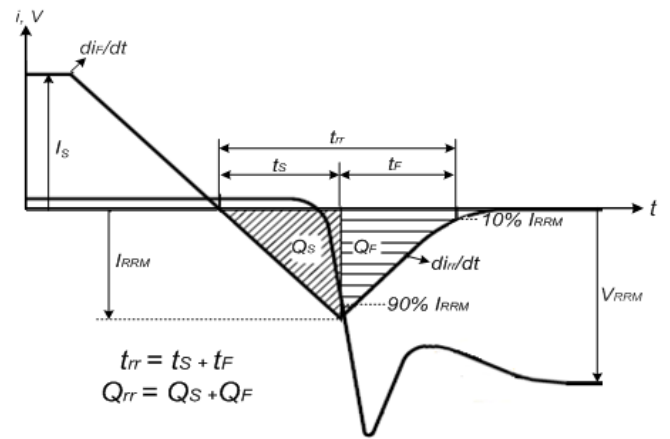


Figure 16. Diode Recovery Waveform

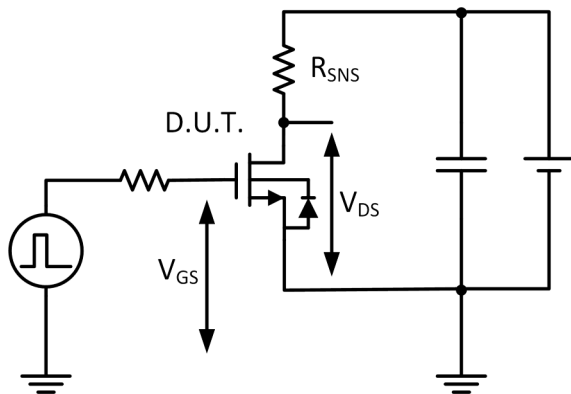


Figure 17. Test Circuit for Dynamic $R_{DS(on)}$

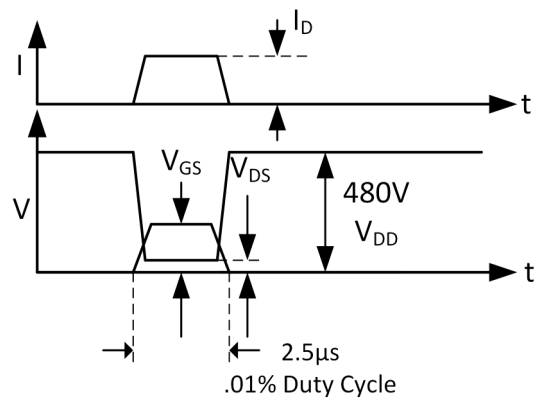


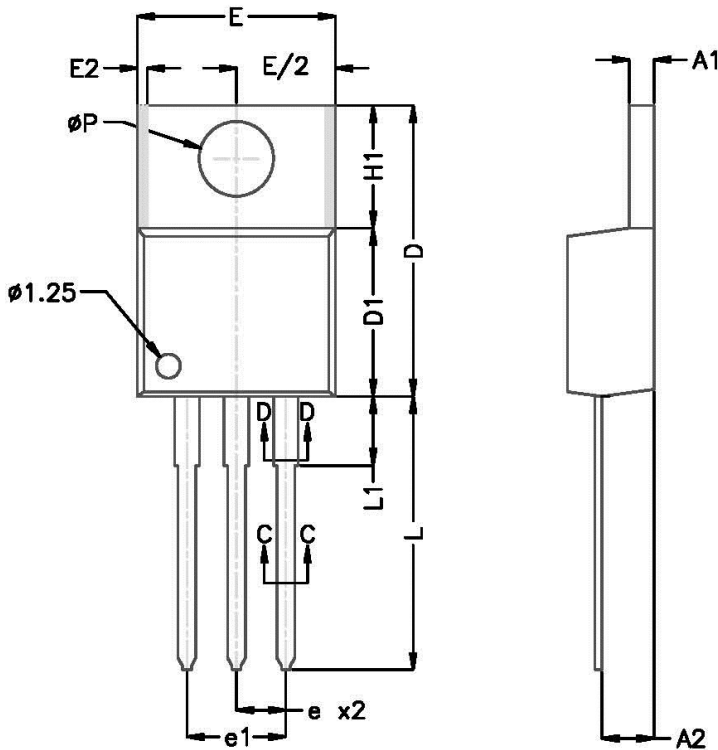
Figure 18. Dynamic $R_{DS(on)}$ Waveform

TPH3202P Series

Mechanical

3 Lead TO-220 (PD) Package

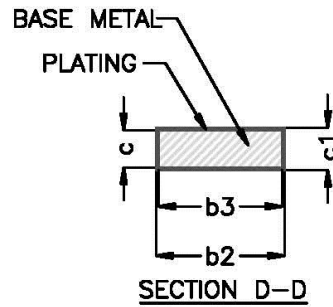
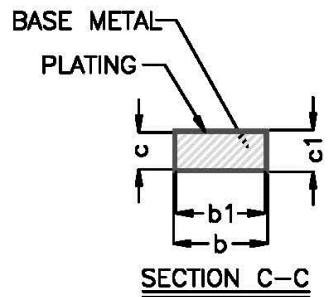
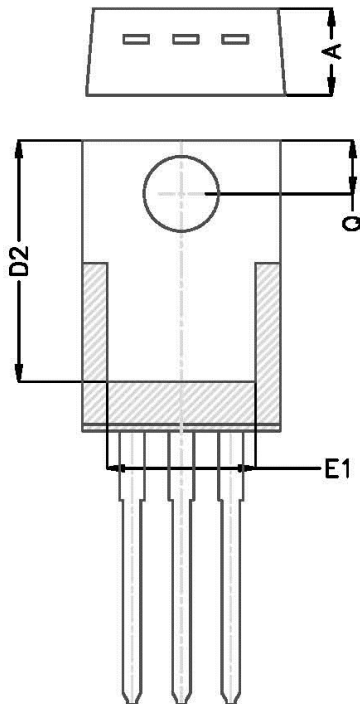
Pin 1: Gate; Pin 2: Source; Pin 3: Drain, Tab: Drain



SYMBOL	MILLIMETERS			INCHES		
	MINIMUM	NOMINAL	MAXIMUM	MINIMUM	NOMINAL	MAXIMUM
A	3.56	4.45	4.83	0.140	0.175	0.190
A1	0.51	1.27	1.40	0.020	0.050	0.055
A2	2.03	-	2.92	0.080	-	0.115
b	0.38	-	1.01	0.015	-	0.040
b1	0.38	-	0.97	0.015	-	0.038
b2	1.14	-	1.78	0.045	-	0.070
b3	1.14	1.27	1.73	0.045	0.050	0.088
c	0.38	-	0.81	0.014	-	0.024
c1	0.38	0.38	0.58	0.014	0.015	0.022
D	14.22	-	18.51	0.560	-	0.650
D1	8.38	8.64	9.02	0.330	0.340	0.355
D2	11.68	-	12.88	0.460	-	0.507
E	9.85	10.19	10.87	0.380	0.401	0.420
E1	6.86	-	8.89	0.270	-	0.350
E2	-	-	0.76	-	-	0.030
e	2.54 BSC			0.100 BSC		
e1	5.08 BSC			0.200 BSC		
H1	5.84	6.30	6.88	0.230	0.248	0.270
L	12.70	14.05	14.73	0.500	0.553	0.580
L1	-	-	6.35	-	-	0.250
ØP	3.54	3.84	4.08	0.138	0.151	0.161
Q	2.54	-	3.42	0.100	-	0.135

NOTES:

1. DIMENSIONS D & E DO NOT INCLUDE MOLD FLASH. MOLD FLASH SHALL NOT EXCEED 0.127 MM (0.005") PER SIDE. THESE DIMENSIONS ARE MEASURED AT THE OUTERMOST EXTREME OF THE PLASTIC BODY.
2. DIMENSIONS E2 & H1 DEFINE A ZONE WHERE STAMPING AND SINGULATION IRREGULARITIES ARE ALLOWED.
3. OUTLINE CONFORMS TO JEDEC TO-220AB.

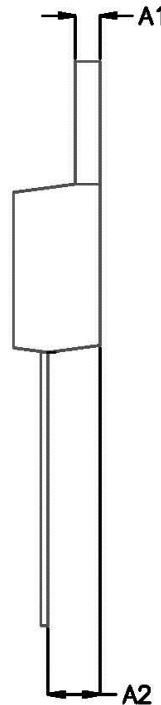
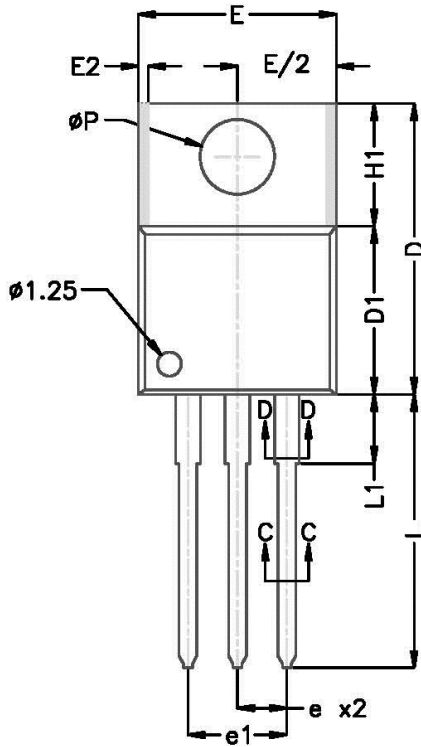


TPH3202P Series

Mechanical

3 Lead T0-220 (PS) Package

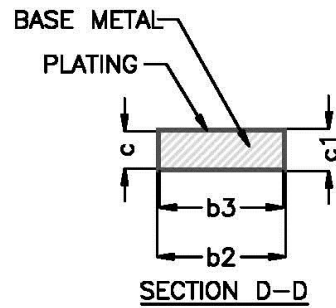
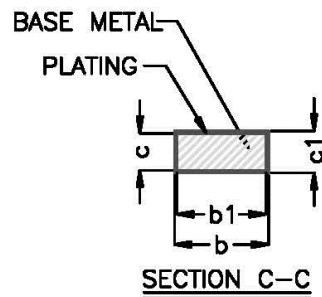
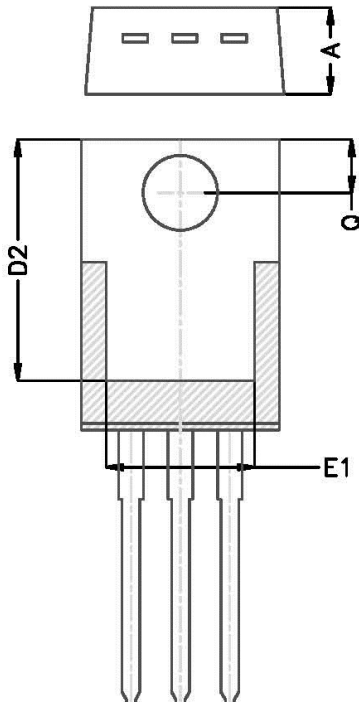
Pin 1: Gate; Pin 2: Source; Pin 3: Drain, Tab: Source



SYMBOL	MILLIMETERS			INCHES		
	MINIMUM	NOMINAL	MAXIMUM	MINIMUM	NOMINAL	MAXIMUM
A	3.56	4.45	4.83	0.140	0.175	0.190
A1	0.51	1.27	1.40	0.020	0.050	0.055
A2	2.03	-	2.92	0.080	-	0.115
b	0.38	-	1.01	0.015	-	0.040
b1	0.38	-	0.97	0.015	-	0.038
b2	1.14	-	1.78	0.045	-	0.070
b3	1.14	1.27	1.73	0.045	0.050	0.068
c	0.38	-	0.61	0.014	-	0.024
c1	0.38	0.38	0.56	0.014	0.015	0.022
D	14.22	-	16.51	0.560	-	0.650
D1	8.38	8.64	9.02	0.330	0.340	0.355
D2	11.68	-	12.88	0.460	-	0.507
E	9.65	10.19	10.87	0.380	0.401	0.420
E1	6.86	-	8.89	0.270	-	0.350
E2	-	-	0.76	-	-	0.030
e	2.54 BSC			0.100 BSC		
e1	5.08 BSC			0.200 BSC		
H1	5.84	6.30	6.86	0.230	0.248	0.270
L	12.70	14.05	14.73	0.500	0.553	0.580
L1	-	-	6.35	-	-	0.250
øP	3.54	3.84	4.08	0.139	0.151	0.161
Q	2.54	-	3.42	0.100	-	0.135

NOTES:

1. DIMENSIONS D & E DO NOT INCLUDE MOLD FLASH. MOLD FLASH SHALL NOT EXCEED 0.127 MM (0.005") PER SIDE. THESE DIMENSIONS ARE MEASURED AT THE OUTERMOST EXTREME OF THE PLASTIC BODY.
2. DIMENSIONS E2 & H1 DEFINE A ZONE WHERE STAMPING AND SINGULATION IRREGULARITIES ARE ALLOWED.
3. OUTLINE CONFORMS TO JEDEC TO-220AB.



TPH3202P Series

Design Considerations

The fast switching of GaN devices reduces current-voltage cross-over losses and enables high frequency operation while simultaneously achieving high efficiency. However, taking full advantage of the fast switching characteristics of GaN switches requires adherence to specific PCB layout guidelines and probing techniques.

Before evaluating Transphorm GaN devices, see application note [Printed Circuit Board Layout and Probing for GaN Power Switches](#). The table below provides some practical rules that should be followed during the evaluation.

When Evaluating Transphorm GaN Devices:

DO	DO NOT
Minimize circuit inductance by keeping traces short, both in the drive and power loop	Twist the pins of TO-220 or TO-247 to accommodate GDS board layout
Minimize lead length of TO-220 and TO-247 package when mounting to the PCB	Use long traces in drive circuit, long lead length of the devices
Use shortest sense loop for probing; attach the probe and its ground connection directly to the test points	Use differential mode probe or probe ground clip with long wire
See AN0003 : Printed Circuit Board Layout and Probing	

Application Notes

- [AN0002](#): Characteristics of Transphorm GaN Power Switches
- [AN0003](#): Printed Circuit Board Layout and Probing
- [AN0004](#): Designing Hard-switched Bridges with GaN
- [AN0008](#): Drain Voltage and Avalanche Ratings for GaN FETs

Evaluation Boards

- TDPS250E2D2-KIT: 250W all-in-one power supply evaluation platform

TPH3202P Series

Revision History

Version	Date	Change(s)
0	11/14/2016	Release P series datasheet
1	12/12/2016	Formatting Changes to p. 3, revision of dynamic measurement verbiage