

φ172mm

San Ace 172



General Specifications

- Material Frame: Aluminum, Impeller: Plastics (Flammability: UL94V-1)
- Expected Life Refer to specifications (L10:Survival rate:90% at 60°C ,
rated voltage, and continuously run in a free air state)
- Lead Wire ⊕red ⊖black (Sensor) yellow
- Storage Temperature -30°C to +70°C (Non-condensing)

φ172mm × 150mm × 51mm (Mass : 800g)

9GV type Sidecut type



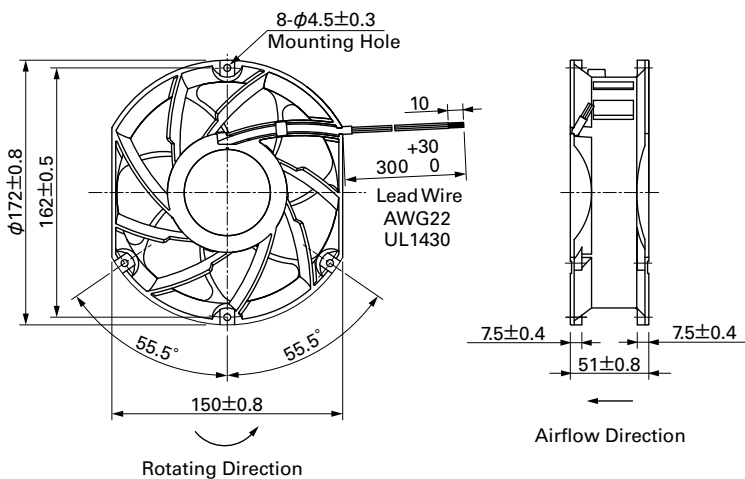
Specifications

The following nos. **have pulse sensors.**

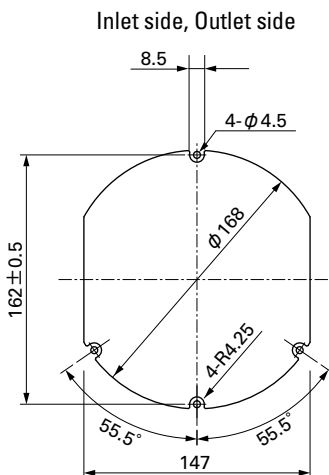
Model No.	Rated Voltage [V]	Operating Voltage Range [V]	Rated Current [A]	Rated Input [W]	Rated Speed [min ⁻¹]	Max. Airflow [m ³ /min] [CFM]	Max. Static Pressure [Pa] [inchH ₂ O]	SPL [dB(A)]	Operating Temperature [°C]	Expected Life [h]
9GV5724H501	24	20.4 to 27.6	4.0	96	6,300	11.32 400	690 2,77	74	- 20 to +70	40,000/60°C
9GV5748H501	48	40.8 to 55.2	2.0	96						

Other sensor specifications are available as options. Please refer to the index (p. 508).

Dimensions (unit: mm)



Reference Dimensions of Mounting Holes and Vent Opening (unit: mm)



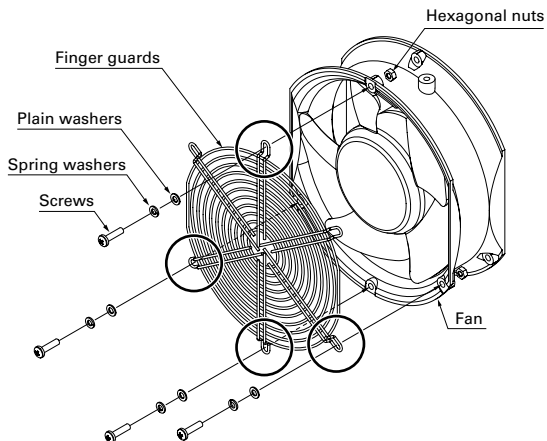
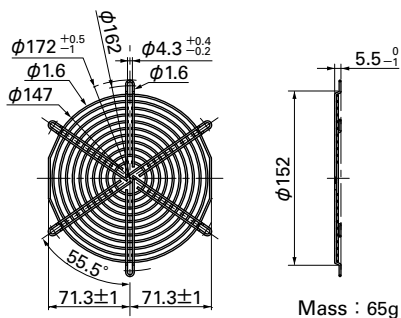
Options (unit: mm)

Finger Guards

Model : 109-319J Color : Nickel-chrome plating (silver)
Surface treatment : Nickel-chrome plating (silver)

Finger guard 109-319J should be mounted with four holes as in the drawing.

Inlet side, Outlet side



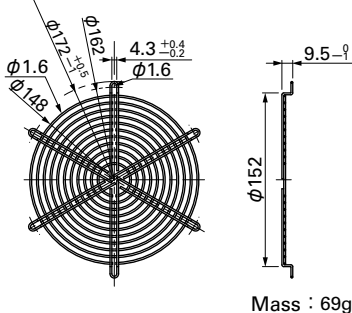
Finger Guards

Model : 109-319E Color : Nickel-chrome plating (silver)
Surface treatment : Nickel-chrome plating (silver)
: 109-319H : Cation electropainting (black)

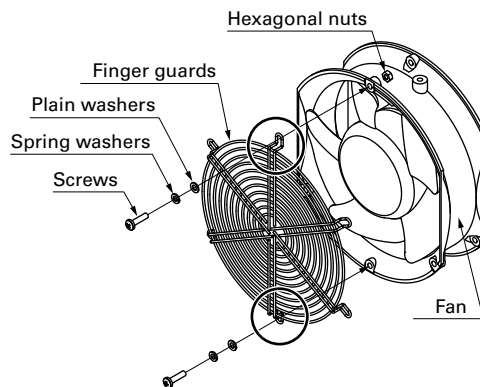
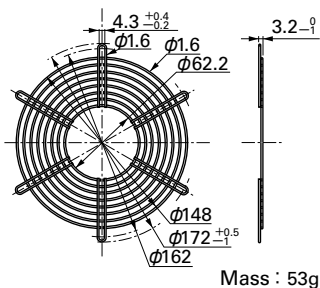
Model : 109-320 Color : Nickel-chrome plating (silver)
Surface treatment : Nickel-chrome plating (silver)

Finger guards 109-319E, 109-319H, and 109-320 should be mounted with two holes as in the drawing and do not use any other holes.

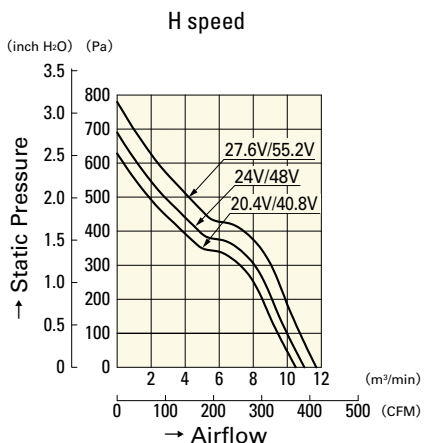
Inlet side, Outlet side



Outlet side



Airflow - Static Pressure Characteristics



9GV5724H501

9GV5748H501