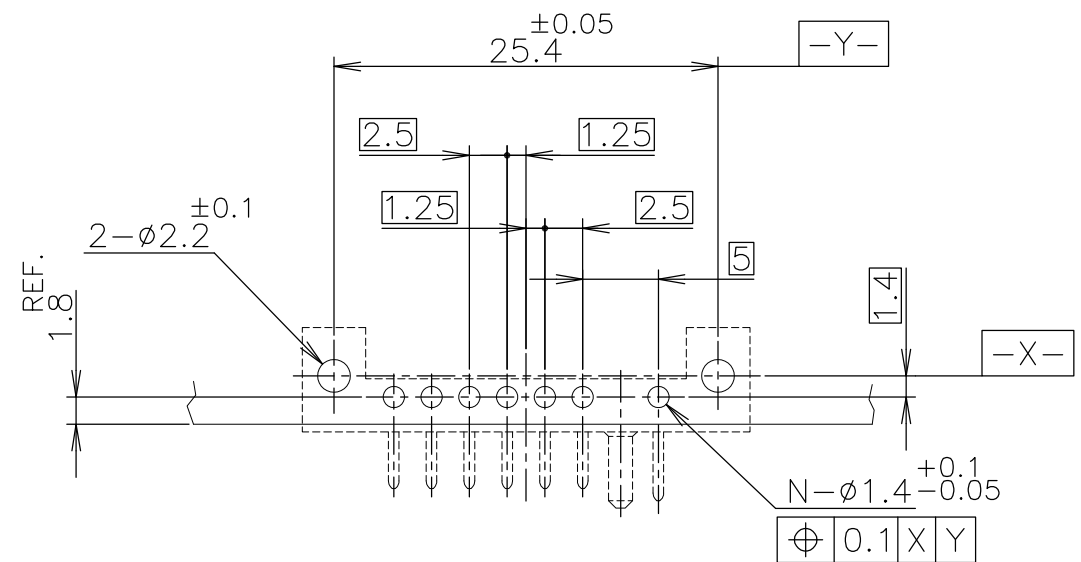
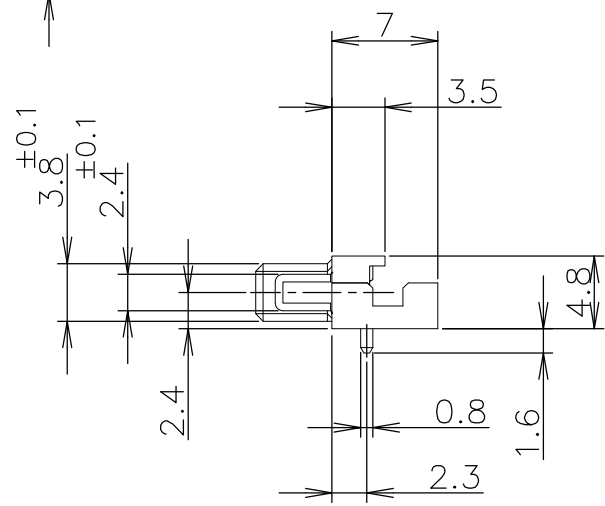
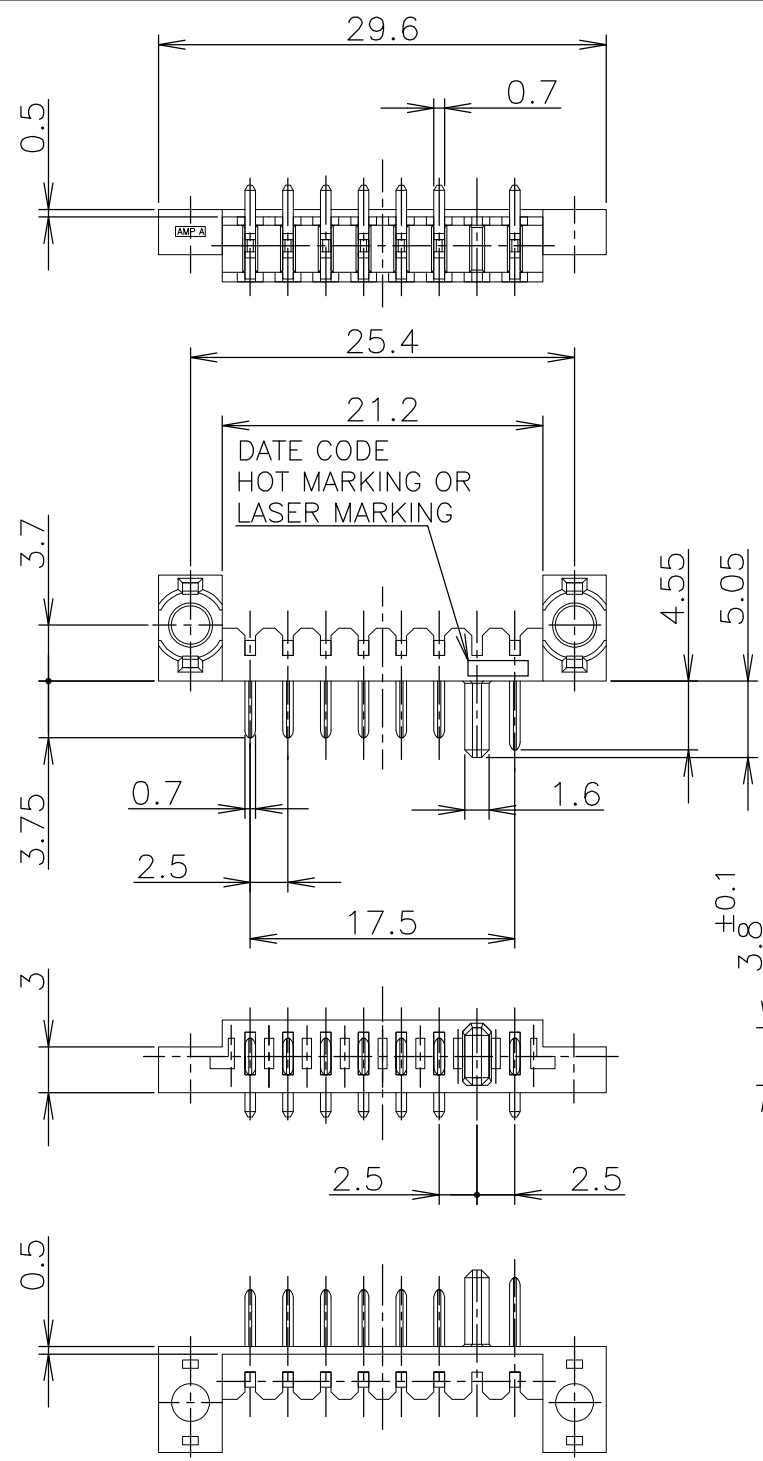


LOC	DIST	REVISIONS					
J	/	P	LTR	DESCRIPTION	DATE	DWN	APVD
		B		REVISED	ECR-11-017249	19AUG2011	T.K T.K



基板取付推奨寸法
RECOMMENDED P.C. BOARD LAYOUT
P.C. BOARD THK 0.8~1.2
(VIEW FROM CONNECTOR MOUNTING SIDE)

- ① 材料 ハウジング : 熱可塑性樹脂 UL94V-0
色 ; 黒
コンタクト : 銅合金
- ② 仕上げ コンタクト : Ni 下地めっき
接触部 Pd-Niめっき
接触部 Au フラッシュめっき
半田付け部 Au フラッシュめっき

- ① MATERIAL HOUSING : THERMOPLASTIC RESIN, UL94V-0
COLOR ; BLACK
CONTACT : COPPER ALLOY
- ② FINISH CONTACT : Ni ALL OVER UNDER PL
Pd-Ni PL. AT CONTACT AREA
Au FLASH PL. AT CONTACT AREA
Au FLASH PL. AT LEAD AREA

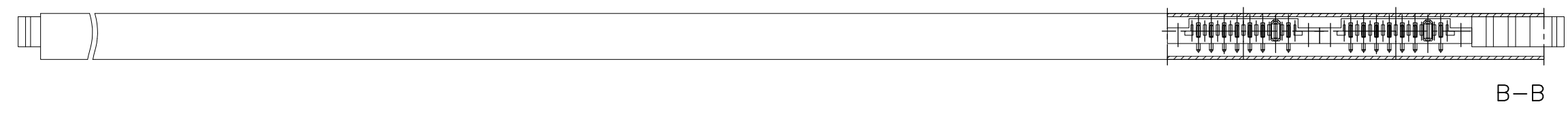
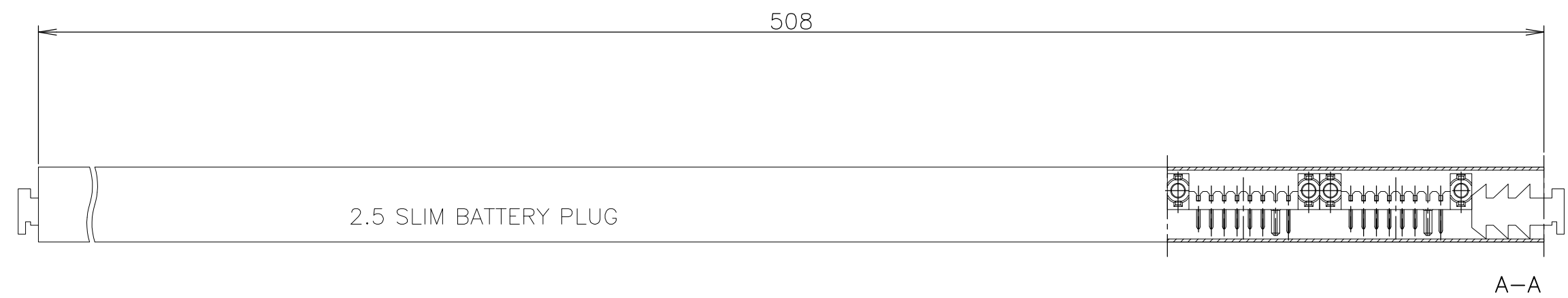
GENERAL TOLERANCE
一般公差

10 ≥ : ±0.2
30 ≥ > 10 : ±0.25
100 ≥ > 30 : ±0.3
ANGLES : ±3°

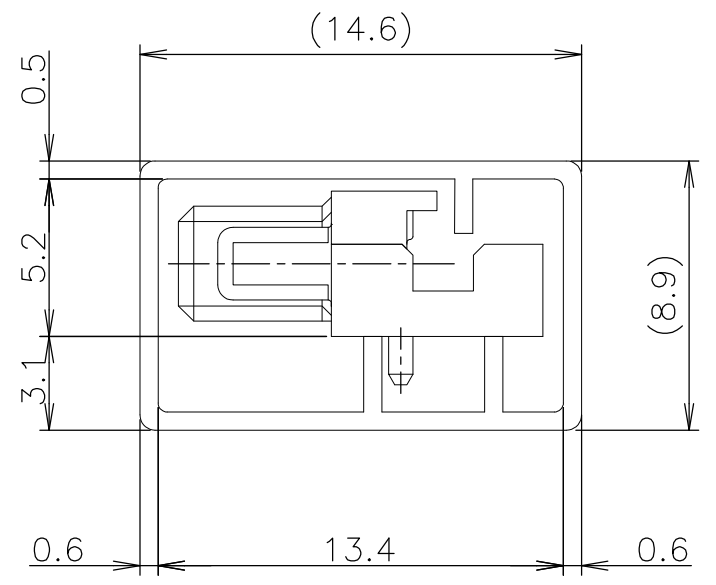
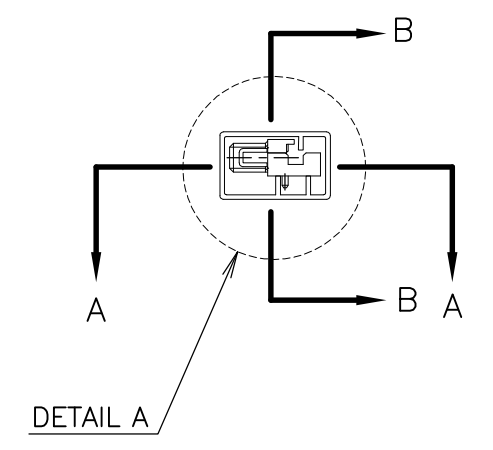
THIS DRAWING IS A CONTROLLED DOCUMENT.		DWN T.KATANO	08OCT04	TE Connectivity	
DIMENSIONS: 単位: 耗 MM		CHK T.KIMURA	08OCT04		
TOLERANCES UNLESS OTHERWISE SPECIFIED: 一般公差		APVD K.IKEGAMI	08OCT04	NAME 名称	
0 PLC ± - 1 PLC ± - 2 PLC ± - 3 PLC ± - 4 PLC ± - ANGLES ± -		PRODUCT SPEC 製品規格 108-78211	PLUG ASSEMBLY 2.5mm PITCH BATTERY CONNECTOR REVERSE SEQUENTIAL PIN WITHOUT NUT PLATE		
MATERIAL 材料		APPLICATION SPEC 取付適用規格	SIZE A3	CAGE CODE 00779	DRAWING NO 番号 G-6318573
FINISH 仕上		WEIGHT	RESTRICTED TO		
①		CUSTOMER DRAWING		SCALE 尺度 2:1	SHEET 1 OF 2
②				REV B	

THIS DRAWING IS UNPUBLISHED. RELEASED FOR PUBLICATION OCT. 2004.
 © COPYRIGHT 2004 By - ALL RIGHTS RESERVED.

LOC	DIST	REVISIONS 変更					
J		P	LTR	DESCRIPTION	DATE	DWN	APVD
		-		SEE SHEET 1	-	-	-



チューブパック参考図
 REFERENCE PICTURE OF TUBE PACK



DETAIL A
 SCALE 4:1

GENERAL TOLERANCE
 一般公差

10 ≥ : ±0.2
 30 ≥ > 10 : ±0.25
 100 ≥ > 30 : ±0.3
 ANGLES: ±3°

THIS DRAWING IS A CONTROLLED DOCUMENT.		DWN	TE Connectivity PLUG ASSEMBLY 2.5mm PITCH BATTERY CONNECTOR REVERSE SEQUENTIAL PIN WITHOUT NUT PLATE						
DIMENSIONS: 単位: 耗 MM		CHK				NAME 名称			
TOLERANCES UNLESS OTHERWISE SPECIFIED: 一般公差		APVD				SIZE	CAGE CODE	DRAWING NO 番号	RESTRICTED TO
0 PLC ± 1 PLC ± 2 PLC ± 3 PLC ± 4 PLC ± ANGLES ±		PRODUCT SPEC 製品規格				A3	00779	G-6318573	
MATERIAL 材料		FINISH 仕上	WEIGHT	CUSTOMER DRAWING		SCALE 尺度 1:1	SHEET 2 OF 2	REV B	

16ea	7	6318573-4
QTY TUBE	N (POS)	P/N