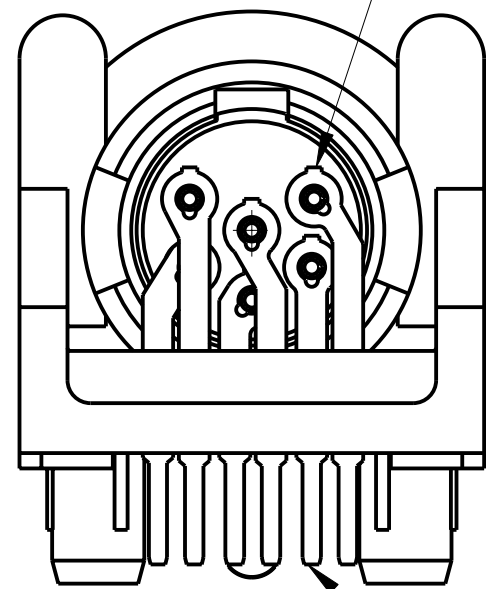
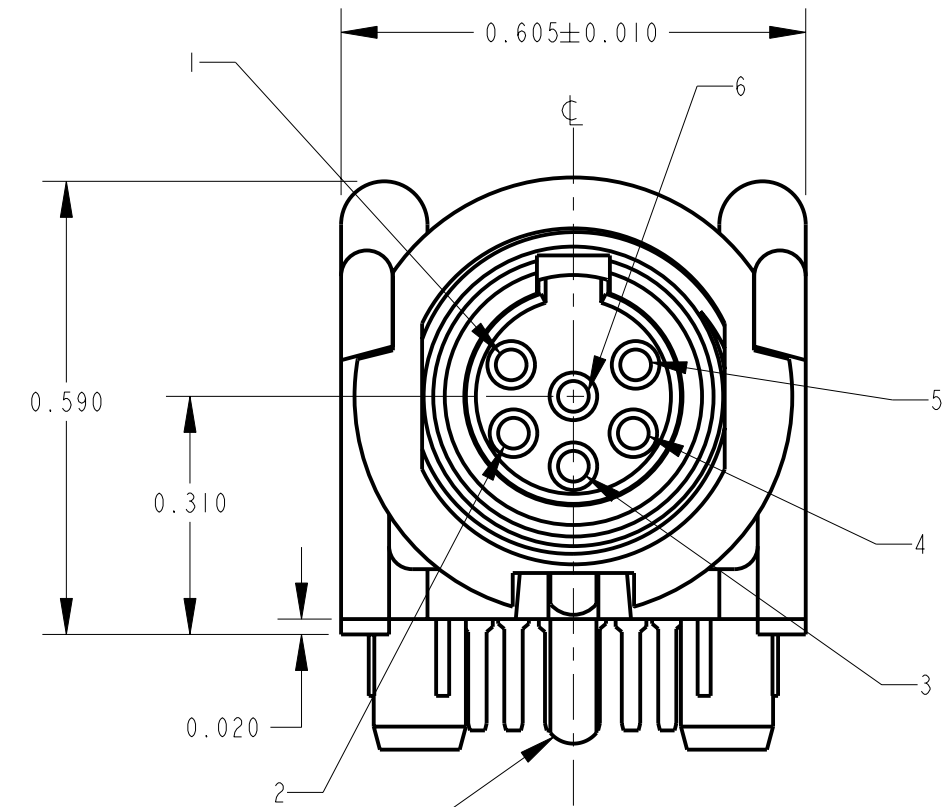
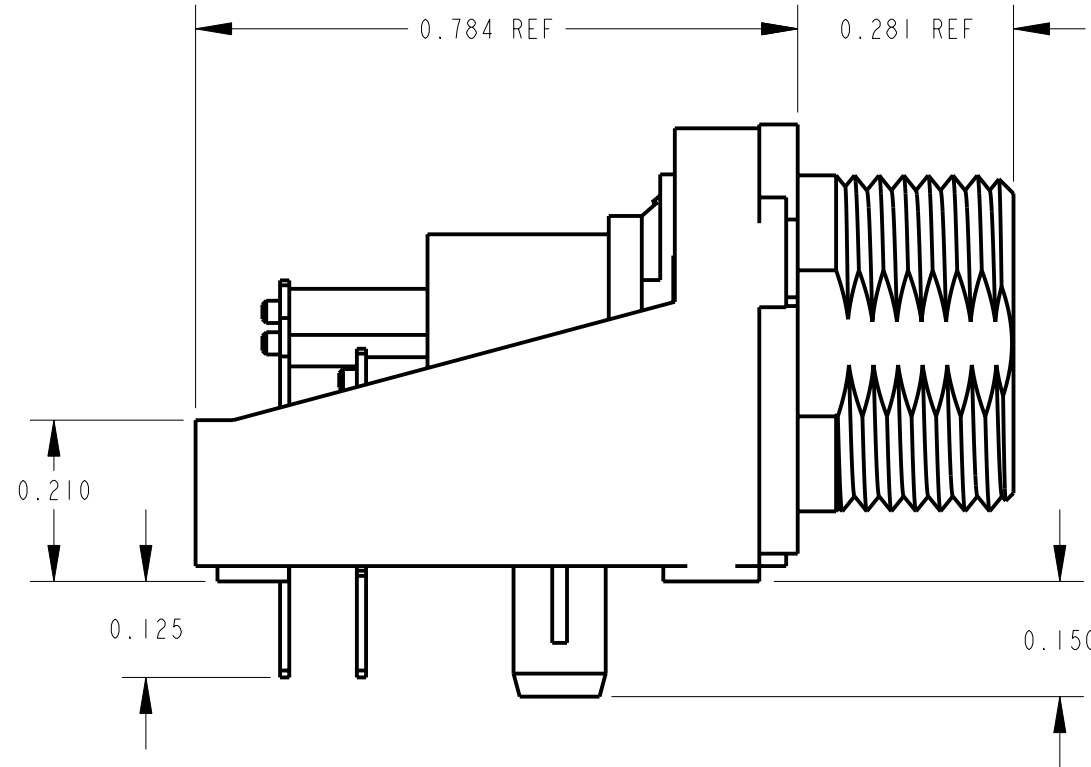


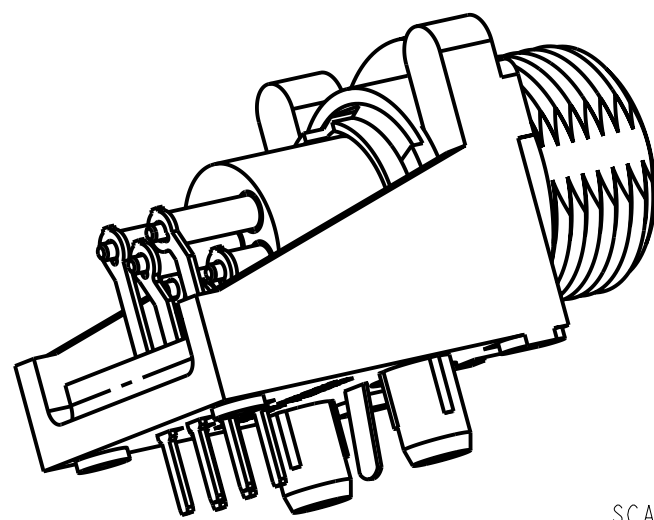
PC TERMINALS : 0.040x0.012



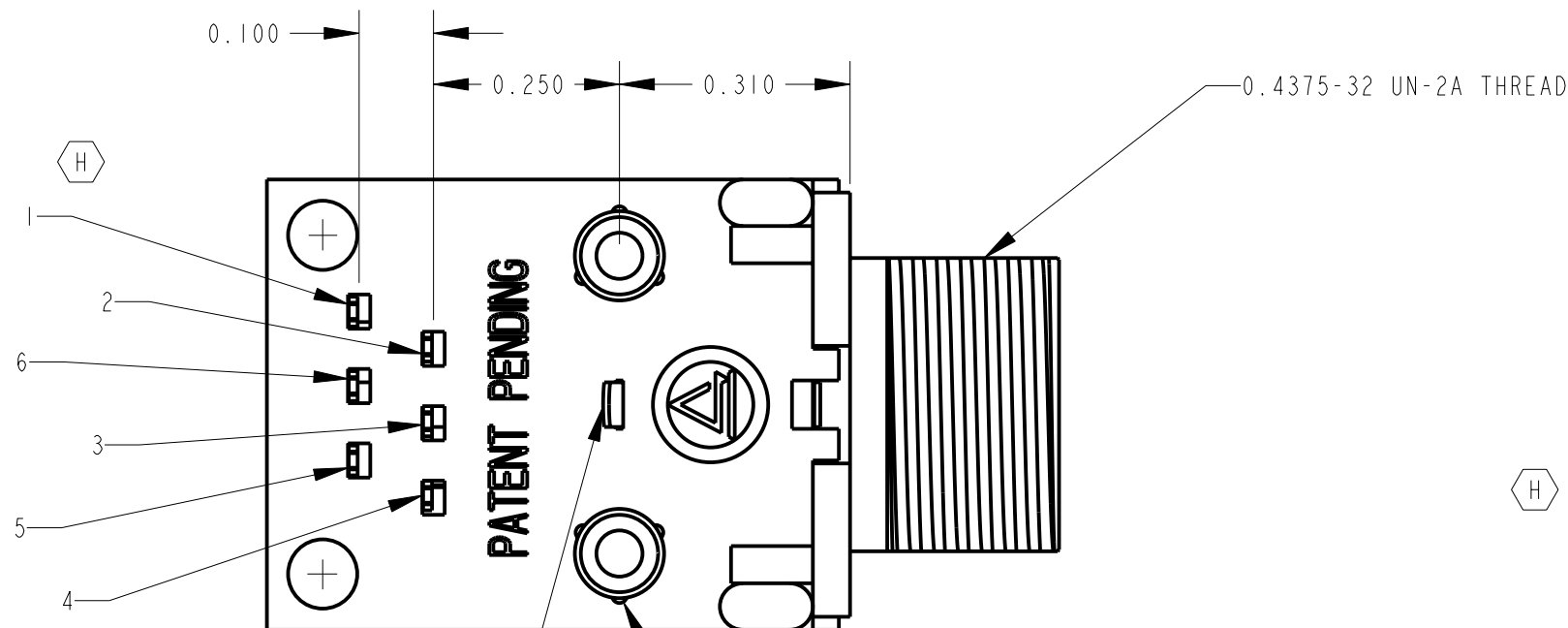
PC TERMINALS : 0.023x0.012



GROUND TERMINAL : 0.060x0.008



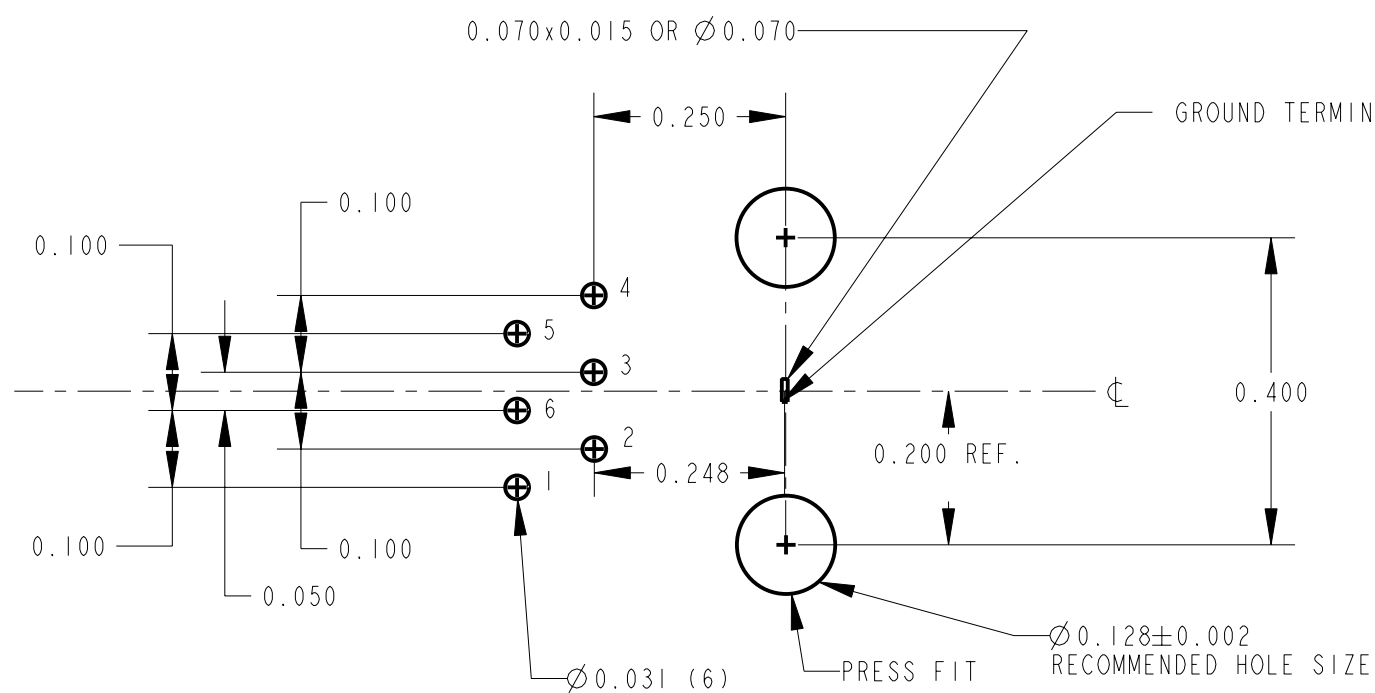
SCALE 3:1



NOTES:

1. 0.00 DECIMALS ARE ±0.010.
2. ALL DIMENSIONS ARE REFERENCE.
3. MATERIALS:
HOUSING: THERMOPLASTIC
CONTACTS: BRASS, TIN PLATED
HARDWARE: BRASS, NICKEL PLATED
BUSHING: ZINC DIE CAST, NICKEL PLATED
4. ELECTRICAL SPECIFICATIONS:
CURRENT RATING: 1.5 A
CONTACT RESISTANCE: 0.010 OHM MAX
INSULATION RESISTANCE: 100 MEGA OHMS MIN
DIELECTRIC WITHSTANDING VOLTAGE: 250 VAC
MECHANICAL LIFE: 2000 CYCLES
5. THIS PRODUCT IS RoHS COMPLIANT.

RECOMMENDED PC MOUNTING
COMPONENT SIDE



CUSTOMER DRAWING

<p>★ STAR SYMBOL DENOTES CRITICAL DIMENSION</p> <p>UNLESS OTHERWISE SPECIFIED</p> <p>1. ALL DIMENSIONS IN INCHES - TWO PLACE DECIMALS ±0.01 - THREE PLACE DECIMALS ±0.005 - ANGLES ±1° - ALL DIA. CONCENTRIC WITHIN 0.005 T.I.R.</p> <p>2. FEATURES ON THE SAME CENTERLINE MUST BE ALIGNED WITHIN ±0.002</p> <p>3. REMOVE ALL BURRS</p> <p>DO NOT SCALE DRAWING</p>					<p>THIS DRAWING DESCRIBES A DESIGN CONSIDERED PROPRIETARY IN NATURE, DEVELOPED AND MANUFACTURED BY SWITCHCRAFT INC. AND IS RELEASED ON A CONFIDENTIAL BASIS FOR IDENTIFICATION PURPOSES ONLY.</p>				
SIZE		WIDTH	MULT	LBS/M	TEMPER	FINISH		MATERIAL	
SPEC No.		FIRST USED ON		SCALE		SPEC No.		SPEC No.	
DATE DRAWN		BY	CHKD	APVD		Switchcraft®		SHEET OF	
4-26-96		RC	RB	DG		PART No.		REV	
REV		ECO NUMBER	DATE	BY	APVD	TINI O-G MALE RECEPTOR		TRA6M	
G		22445	11-30-98	JL	DG	R.A.P.C. 6 PIN, RoHS		H	
REVISIONS					PRO/ENGINEER CAD FILE				