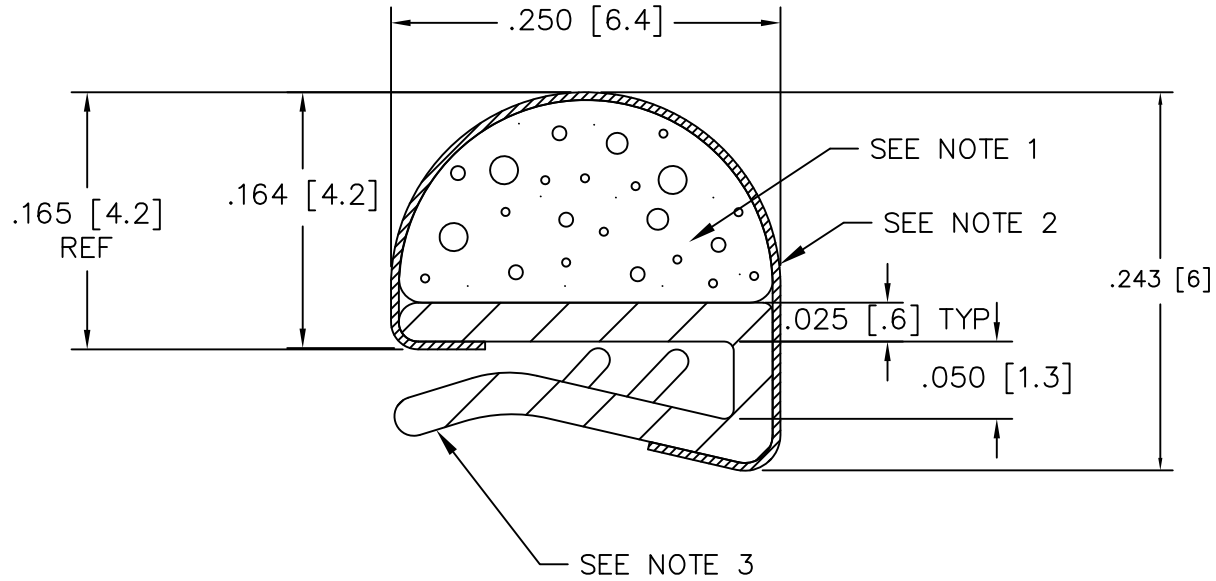


THIS INFORMATION IS CONFIDENTIAL AND PROPRIETARY TO LAIRD TECHNOLOGIES. IT MAY NOT BE DISCLOSED TO ANYONE, OTHER THAN LAIRD TECHNOLOGIES PERSONNEL, WITHOUT WRITTEN AUTHORIZATION FROM LAIRD TECHNOLOGIES.



PROFILE DETAIL

NOTES:

1. FOAM: HF-1
2. FABRIC: NICKEL NRS FR
3. TAPE: NO TAPE
4. LINER: NO EXTENDED RELEASE LINER
5. FABRIC SEAM LOCATION MAY VARY.
6. CARRIER: PVC CLIP
7. A .020" FEELER GAGE SHOULD SLIDE FREELY INTO THE CLIP OPENING, A .031" FEELER GAGE SHOULD FIT TIGHTLY WHEN FULLY INSERTED INTO THE CLIP.

REVISIONS: 1. REVISED FABRIC FROM "506" 2/5/01 D.D.G

TITLE:
SHIELDING GASKET

Dwg. or Part No.
4111-HA-51K

REV.
1

DRAWN G.B.	DATE D.D.G	SCALE: 1/1
CHECKED BY:	DATE 6/28/01	
RELEASED BY: SMH	DATE 6/28/01	

DIMENSIONS ARE IN INCHES. UNLESS OTHERWISE SPECIFIED, TOLERANCES ARE AS FOLLOWS:

DECIMALS	LENGTH	TOLERANCE
.XX ± .03	0" - 6"	± .030"
.XXX ± .020	6" - 11"	± .050"
	11" - 48"	± .100"
ANGLES	48" - 70"	± .187"
	70" - 144"	± .250"

