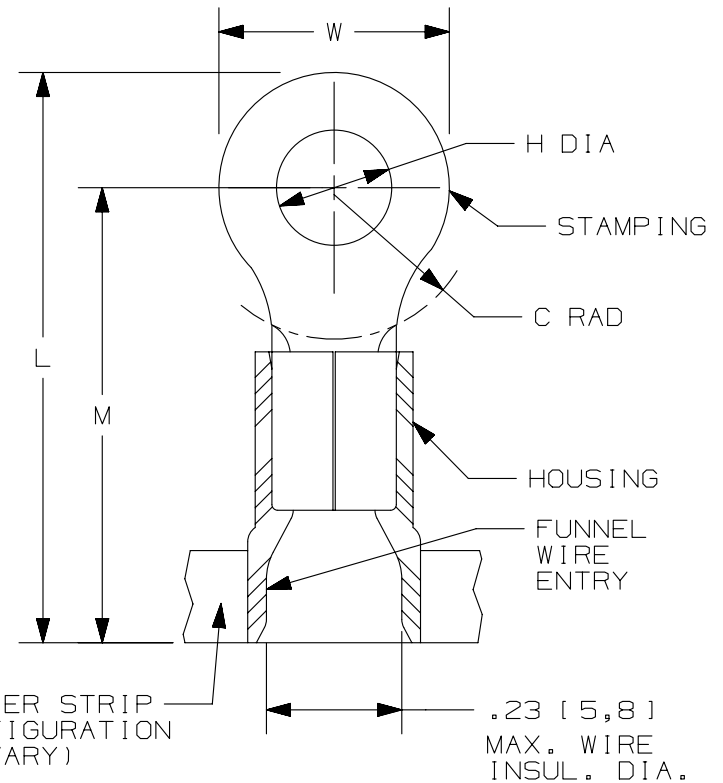


THIS COPY IS PROVIDED ON A RESTRICTED BASIS AND IS NOT TO BE USED IN ANY WAY DETRIMENTAL TO THE INTERESTS OF PANDUIT CORP.

PANDUIT PART #	STUD SIZE		DIMENSIONS in. [mm]				
	ENGLISH	METRIC	L ± .03 [0,76]	W ± .01 [0,25]	C ± .02 [0,51]	M ± .03 [0,76]	H ± .01 [0,25]
PMV6-3RB	--	M3	.98 [24,9]	.24 [6,1]	.31 [7,9]	.86 [21,8]	.13 [3,3]
PV10-6RB	#6	M3,5	1.02 [25,9]	.31 [7,9]	.31 [7,9]	.86 [21,8]	.15 [3,8]
PV10-8RB	#8	M4	1.02 [25,9]	.31 [7,9]	.31 [7,9]	.86 [21,8]	.17 [4,3]
PV10-10RB	#10	--	1.02 [25,9]	.31 [7,9]	.31 [7,9]	.86 [21,8]	.20 [5,1]
PMV6-5RB	--	M5	1.05 [26,7]	.37 [9,4]	.31 [7,9]	.86 [21,8]	.21 [5,3]
PV10-14RB	1/4"	M6	1.20 [30,5]	.52 [13,2]	.38 [9,7]	.94 [23,9]	.27 [6,9]
PV10-56RB	5/16"	M8	1.20 [30,5]	.52 [13,2]	.38 [9,7]	.94 [23,9]	.33 [8,4]
PV10-38RB	3/8"	--	1.23 [31,2]	.58 [14,7]	.38 [9,7]	.94 [23,9]	.39 [9,9]



NOTES:

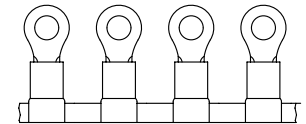
- USED FOR:
  - A. #12-10 AWG [4,0-6,0 mm<sup>2</sup>] SOLID OR STRANDED COPPER WIRE
  - B. 221°F [105°C] MAX. OPERATING TEMPERATURE
  - C. 600 V. MAX. VOLTAGE RATING
- INSTALLATION TOOLS:
  - A. PRESSES: CP-861, CP-862, CP-871
  - B. APPLICATOR: CA-800EZ, CA9
  - C. DIE INSERTS: CD-800-3, CD9-3B
- WIRE STRIP LENGTH: 11/32" <sup>+1/32</sup>/<sub>0</sub> [8,7<sup>+0,8</sup>/<sub>0</sub>]
- MATERIAL:
  - A. STAMPING: .03" [0,8] THK COPPER, TIN PLATED
  - B. HOUSING: VINYL, YELLOW
- SEE [www.panduit.com](http://www.panduit.com) FOR PACKAGE QUANTITIES INDICATED BY PART NUMBER SUFFIX
- DIMENSIONS IN BRACKETS ARE METRIC EQUIVALENT



LISTED  
587H  
E52164



CERTIFIED  
LR31212



					TITLE RING TERMINALS, 2 PC. VINYL INSULATED, #12-10 CUSTOMER DRAWING				
					ITEM REVISION NAME N41067BA/05				
					DATASET FILE NAME N41067BA_DC/05A				
					UNLESS OTHERWISE SPECIFIED, DIMENSIONAL TOLERANCES ARE: IN [mm] .x ± .1 [2.54] .xxx ± .005 [.13] .xx ± .01 [.25] ANGLES ± 5°				
					MATERIAL: SEE NOTES				
					DRAWING NUMBER: A41067				
					THIRD ANGLE PROJECTION				
					DRAWN BY CLK				
					DATE -				
					CHK -				
					SCALE N.T.S.				
					SHT 1 OF 1				
					SIZE A				

D101000DA/15

REV	DATE	BY	CHK	APR	DESCRIPTION	ECN
04	09.14.12	JBN	LCA	VMB	ADDED METRIC EQUIVALENT. REVISED NOTES. UPDATED TO CURRENT STANDARDS.	A41067