

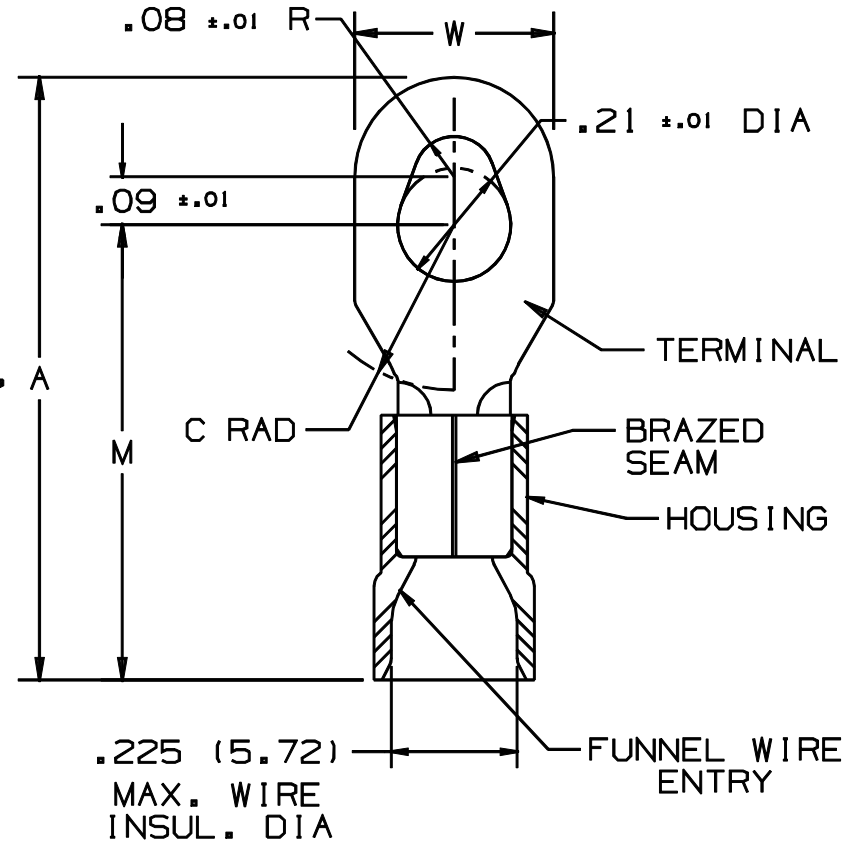
THIS COPY IS PROVIDED ON A RESTRICTED BASIS AND IS NOT TO BE USED IN ANY WAY DETRIMENTAL TO THE INTERESTS OF PANDUIT CORP.

PANDUIT PART NUMBER	STUD SIZE	DIMENSIONS in.			
		A $\pm .04$	W $\pm .01$	C $\pm .02$	M $\pm .04$
PV10-610R	#6, #8, #10	1.17 (29.7)	.37 (9.4)	.31 (7.9)	.89 (22.6)

NOTES:

- UL LISTED AND CSA CERTIFIED FOR:
 - 600V. MAX. BLDG WIRE (1000 V. MAX IN SIGNS, FIXTURES & LUMINAIRES), AND 14-10 AWG SOLID OR STRANDED COPPER WIRE, & 221°F (105°C MAX) TEMP RATING WITH THE CT-550, CT-1550* & CT-1551* INSTALLATION TOOL.
 - 300 V. MAX BLDG WIRE, 12-10 AWG SOLID OR STRANDED COPPER WIRE, & 167°F (75°C) MAX TEMP RATING WITH THE CT-100 & CT-250 INSTALLATION TOOLS.
- MATERIAL:
 - STAMPING - .04" (1.02) THK COPPER, TIN PLATED
 - HOUSING - VINYL, YELLOW
- STRIP LENGTH - 5/16 $\pm 1/32$ (7.9 $\pm .8$)
- PACKAGE QTY:
 - L=50
 - D=500
- DIMENSIONS IN BRACKETS ARE IN MILLIMETERS

* USE ONLY #12 AWG SOL/STR OR #10 AWG STR COPPER WIRE WITH THE CT-1550 & CT-1551 INSTALLATION TOOLS.




LISTED
587H
E52164


CERTIFIED
LR31212

A41588_01

				PANDUIT CORP. TINLEY PARK, ILLINOIS							
01	1/01	RM	FILESPEC WAS N41588AA_PCD_00			PV10-610R, VINYL INSULATED MULTI-STUD TERMINAL					
00	3/96	ED	RELEASED	04187							
REV	DATE	BY	CHK	DESCRIPTION	ECN #	CUST	PM	DRAWN BY EJD	CHK'D	SCALE NONE	DRAWING NO. A41588