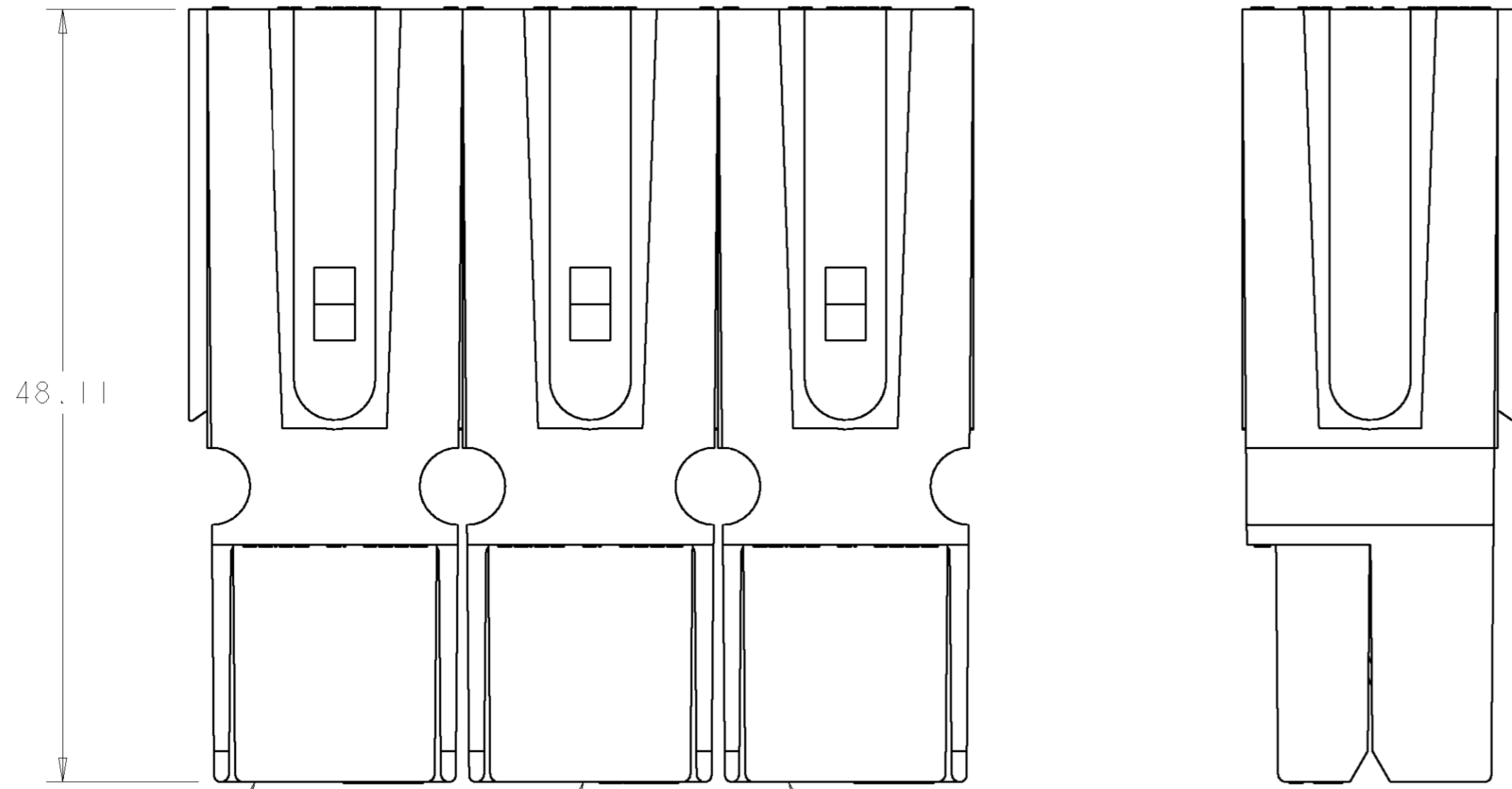
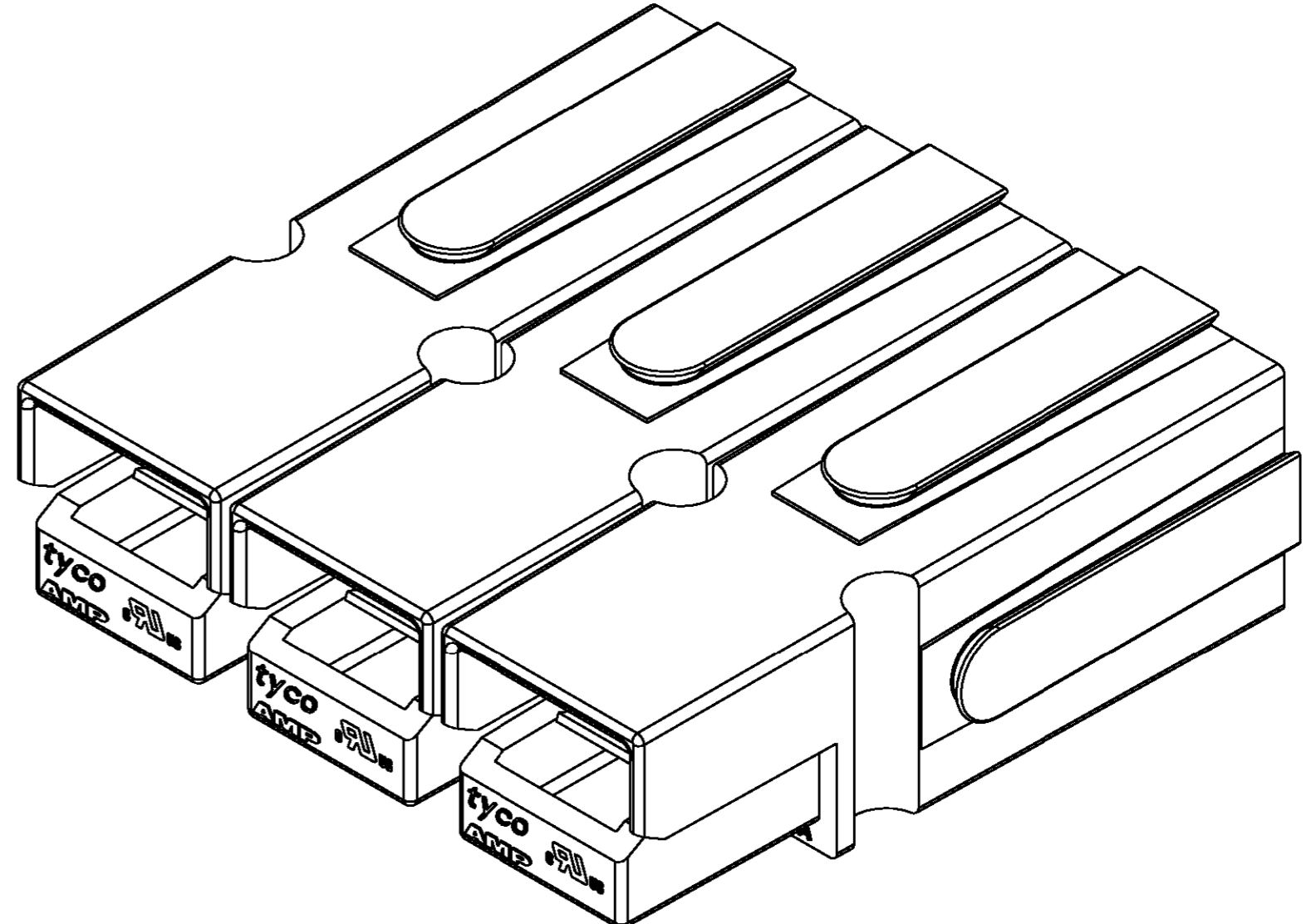
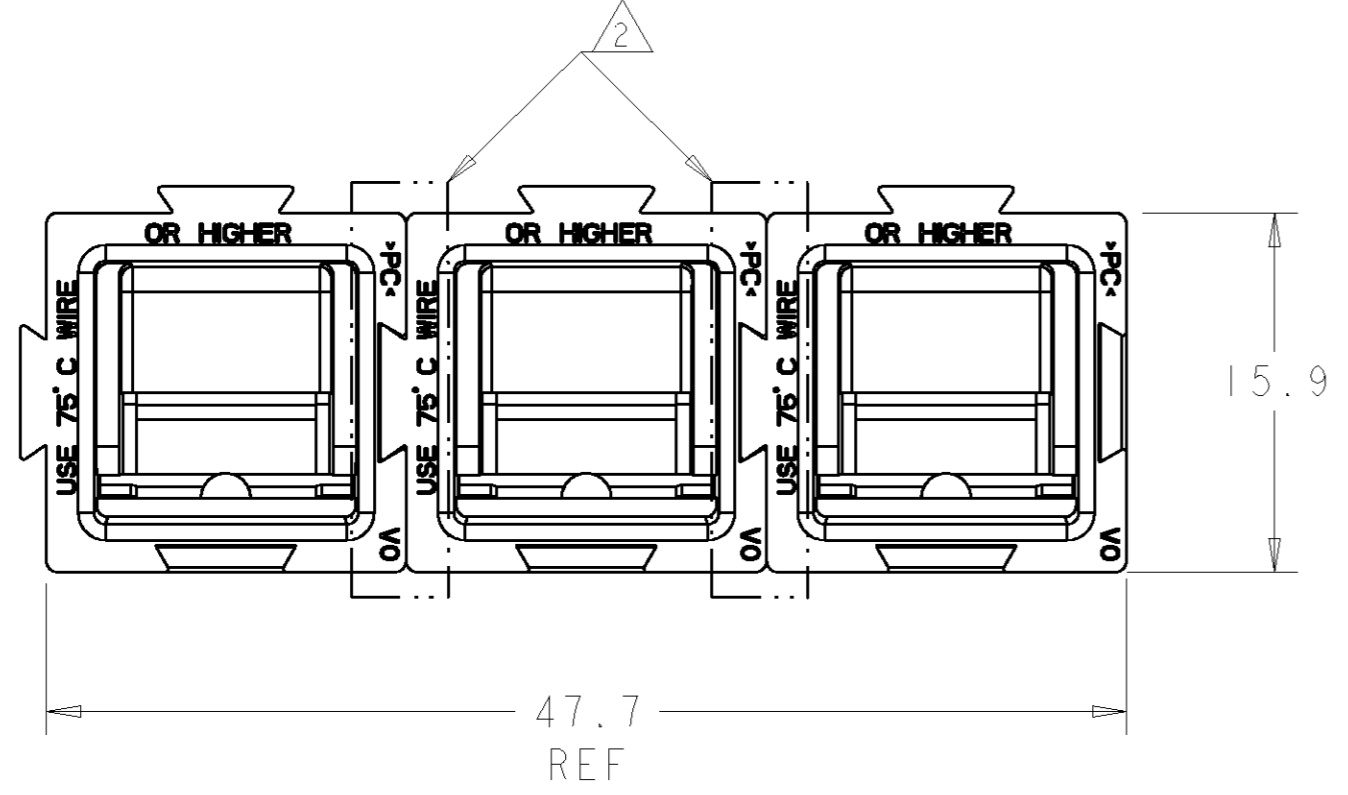


THIS DRAWING IS UNPUBLISHED. RELEASED FOR PUBLICATION 20  
 © COPYRIGHT 20 BY TYCO ELECTRONICS CORPORATION. ALL RIGHTS RESERVED.

LOC	DIST	REVISIONS					
FT	0	P	LTR	DESCRIPTION	DATE	DWN	APVD
		A		PRELIMINARY	17JAN2007	SW	SH
		B		REVISED ECO-07-001975	25JAN2007	SW	SH
		C		REVISED PER ECO-07-005280	06MAR2007	SS	SH
		D		REVISED ECO-07-022170	01OCT2007	SW	FD



2, 3	2	POSN 1	1	1986000-2
POSN 1	1	2, 3	2	1986000-1
POSN	QTY	POSN	QTY	PART NUMBER
RED		BLUE		
HOUSING SUBASSEMBLY				

- ① MATERIAL AND FINISH:  
HOUSING - POLYCARBONATE, COLOR: SEE TABLE  
SPRING - STAINLESS STEEL
- ② ULTRASONICALLY WELDED IN AREA INDICATED.

THIS DRAWING IS A CONTROLLED DOCUMENT FOR TYCO ELECTRONICS CORPORATION IT IS SUBJECT TO CHANGE AND THE CONTROLLING ENGINEERING ORGANIZATION SHOULD BE CONTACTED FOR THE LATEST REVISION.		DWN S. WELDON 17JAN2007	Tyco Electronics Harrisburg, PA 17105-3608	
DIMENSIONS: mm		CHK S. HEADER 17JAN2007		
TOLERANCES UNLESS OTHERWISE SPECIFIED: 0 PLC ±0 1 PLC ±0 2 PLC ±0 3 PLC ±0 4 PLC ±0 ANGLES ± FINISH		APVD S. HEADER 17JAN2007	NAME CONNECTOR ASSEMBLY, ULTRASONICALLY WELDED, AMP POWER SERIES 75	
MATERIAL		PRODUCT SPEC -	SIZE A200779	CAGE CODE C-1986000
① -		APPLICATION SPEC -	DRAWING NO 1986000	RESTRICTED TO -
		WEIGHT -	SCALE 3:1 SHEET 1 OF 1 REV D	
		CUSTOMER DRAWING		