

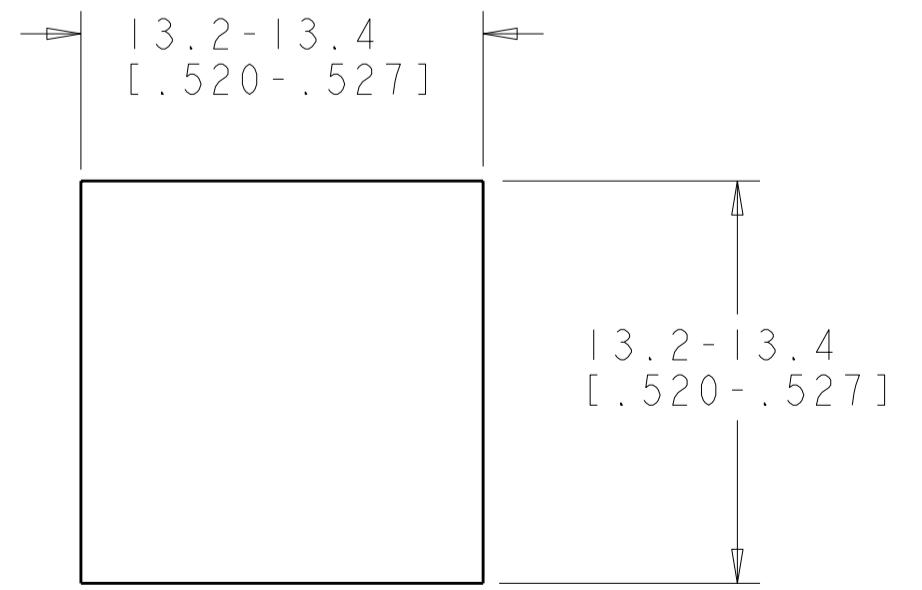
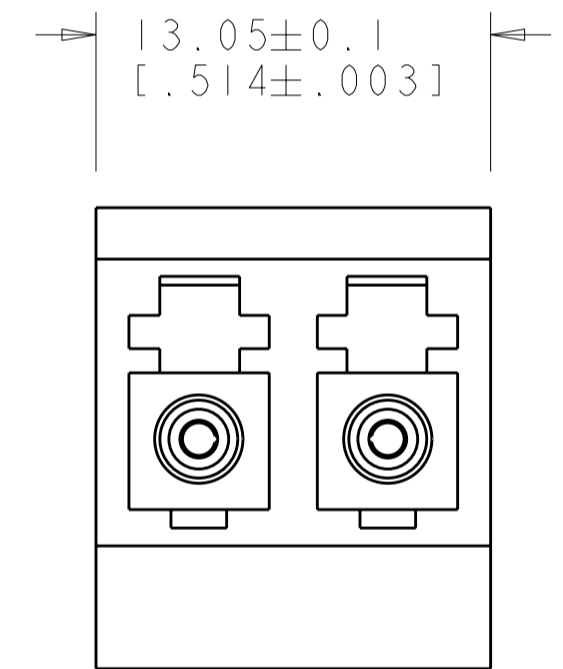
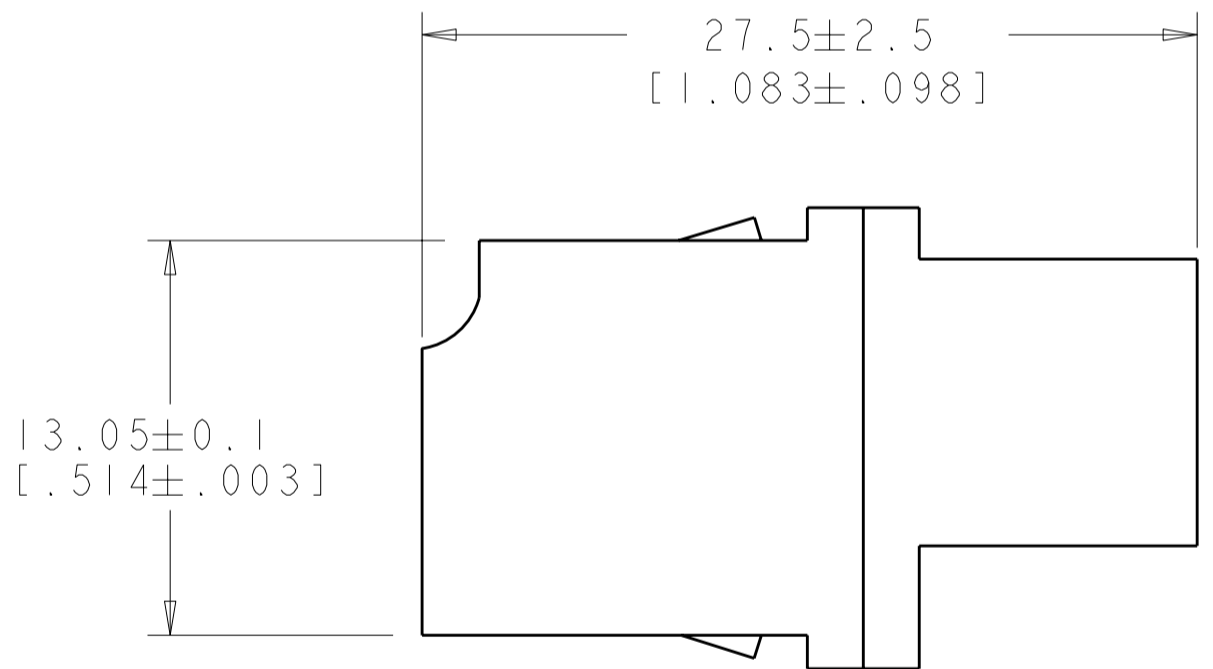
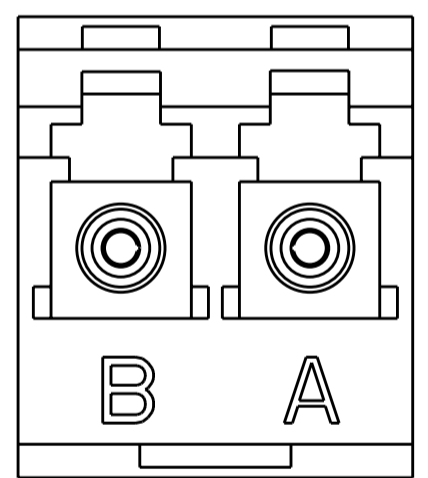
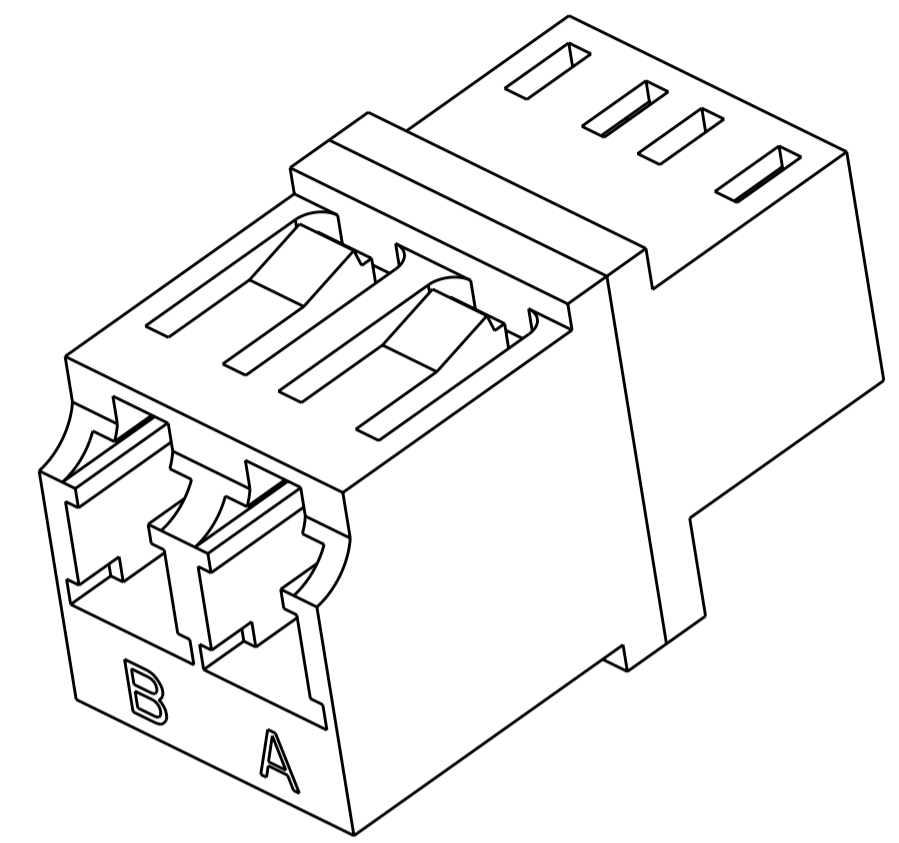
THIS DRAWING IS UNPUBLISHED. RELEASED FOR PUBLICATION
 © COPYRIGHT BY TYCO ELECTRONICS CORPORATION. ALL INTERNATIONAL RIGHTS RESERVED.

LOC	DIST	REVISIONS				
P	LTR	DESCRIPTION	DATE	DWN	APVD	
D		REV PER 0A00-0560-03	12NOV2003	EJH	MG	
E		REV PER 0A00-0023-05	14JAN2005	DHR	DHR	
E1		REVISED PER ECO-10-000445	23JAN2010	KK	HMR	
E2		REV PER ECR-10-016231	09AUG2010	IL	CT	

1 MATERIAL:
 HOUSING: PEI, UL 94 V-0 RATED AT QUALIFYING THICKNESS.
 DUST COVERS: PP, COLOR: WHITE, UL 94 HB RATED AT QUALIFYING THICKNESS.
 ALIGNMENT SLEEVE: SEE TABLE.

2. FOUR DUST COVERS INCLUDED, NOT SHOWN.

3 OBSOLETE PARTS: OBSOLETE CIS STREAMLINING PER D.RENAUD/D.SINISI



RECOMMENDED PANEL CUTOUT
 PANEL THICKNESS: 1.2/1.7 [.047/.067]

3	OBSOLETE	COLOR	SLEEVE MAT'L	PART NUMBER
		GREEN	CERAMIC	1374352-3
		BEIGE	CERAMIC	1374352-2
		BLUE	CERAMIC	1374352-1

THIS DRAWING IS A CONTROLLED DOCUMENT FOR TYCO ELECTRONICS CORPORATION IT IS SUBJECT TO CHANGE AND THE CONTROLLING ENGINEERING ORGANIZATION SHOULD BE CONTACTED FOR THE LATEST REVISION.		DWN T. ALEXANDER 27 JUN00 CHK S. MILLER 30 JUN00 APVD S. BUCHTER 30 JUN00	Tyco Electronics Corporation Shanghai, China
DIMENSIONS: mm [INCHES]	TOLERANCES UNLESS OTHERWISE SPECIFIED: 0 PLC ± 1 PLC ±0.1 [.004] 2 PLC ± 3 PLC ± 4 PLC ± ANGLES ± FINISH	PRODUCT SPEC APPLICATION SPEC WEIGHT	NAME ADAPTER, DUPLEX, LC SIZE A2 CAGE CODE - DRAWING NO. 1374352 RESTRICTED TO
MATERIAL 1		CUSTOMER DRAWING	SCALE 4:1 SHEET 1 OF 1 REV E2