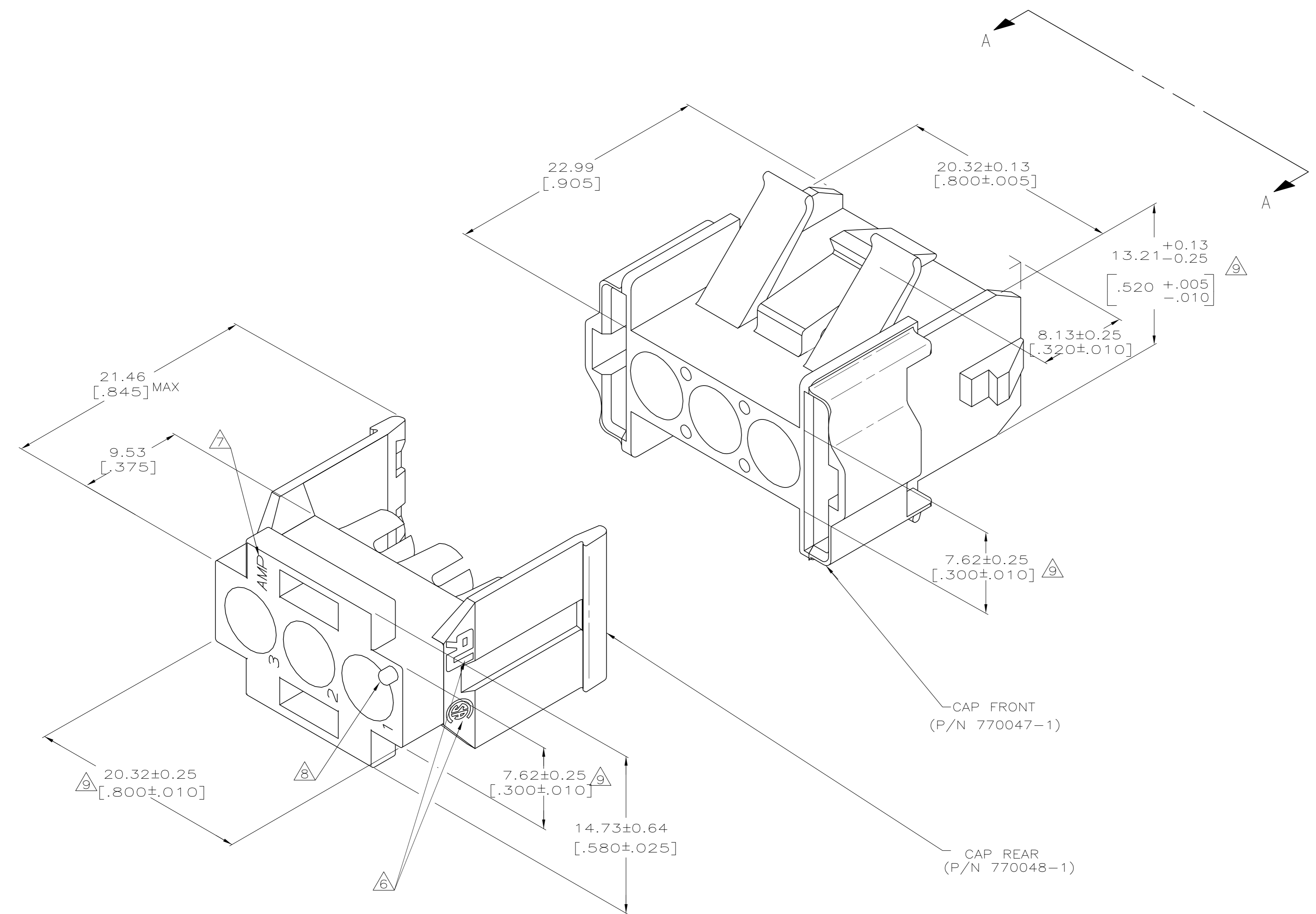
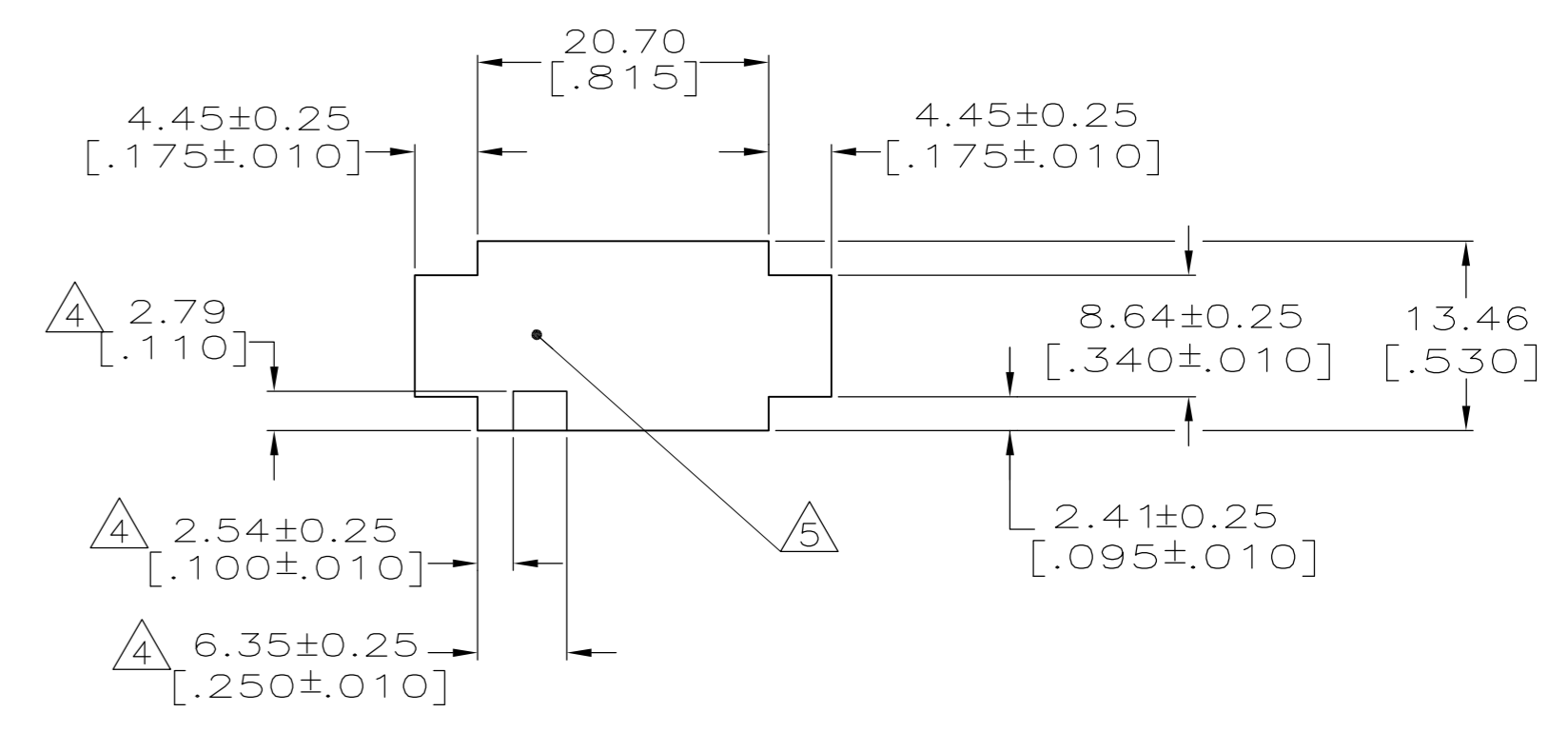


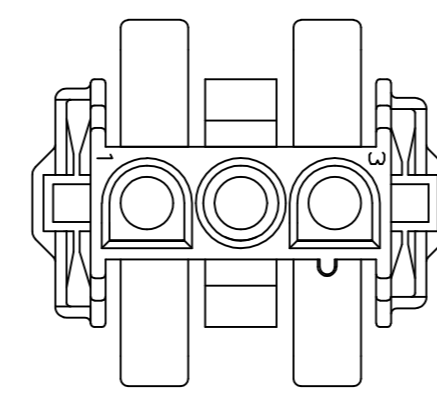
LOC		DIST		REVISIONS			
P	LTR	DESCRIPTION	DATE	DWN	APVD		
H1		REVISED PER ECO-11-004917	11MAR11	RK	HMR		



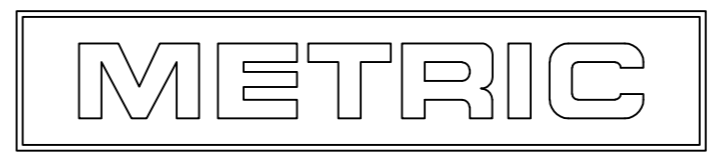
1. BULK PACKAGED, UNASSEMBLED.
2. RECOMMENDED PANEL THICKNESS 0.76-2.29 [.030-.090].
3. PANEL MUST BE PUNCHED SO THAT THE HOUSING ENTERS THE PANEL IN THE SAME DIRECTION AS THE PUNCH.
4. OPTIONAL FOR KEYING HOUSING IN PANEL.
5. CIRCUIT NO. 1 LOCATON.
6. APPROVAL AGENCY LOGO LOCATED APPROXIMATELY AS SHOWN.
7. AMP LOGO LOCATED THIS SURFACE.
8. CIRCUIT NUMBER ONE IDENTIFICATION BUTTON AND CIRCUIT IDENTIFICATION NUMBERS ARE EACH LOCATED ADJACENT TO THE APPROPRIATE CIRCUIT CAVITIES.
9. DIMENSION INDICATED IS AS MOLDED. ADDITIONAL GROWTH DUE TO SUBSEQUENT MOISTURE ABSORPTION MAY OCCUR.



RECOMMENDED PANEL CUTOUT
(HOUSING ENTRY SIDE)
SCALE 2:1



VIEW A-A
SCALE 2:1



770025-1
PART NUMBER

THIS DRAWING IS A CONTROLLED DOCUMENT.		DWN	1-22-92	PART NO	
DIMENSIONS: INCHES		K. SALMON	1-22-92	770025-1	
TOLERANCES UNLESS OTHERWISE SPECIFIED:		CHK	1-22-92	TE Connectivity	
0 PLC	± -	R. SWING		NAME	
1 PLC	± -	M. TRULL	1-22-92	CAP HOUSING KIT,	
2 PLC	± -			3 CIRCUIT, IN-LINE,	
3 PLC	± 0.13 [.005]			UNIVERSAL MATE-N-LOK	
4 PLC	± -			RESTRICTED TO	
ANGLES	± -			SIZE	
MATERIAL	FINISH			CAGE CODE	
NYLON,UL94V-0,				DRAWING NO	
				A1 00779	
				C=770025	
				SCALE	
				5:1	
				SHEET	
				1 of 1	
				REV	
				H1	