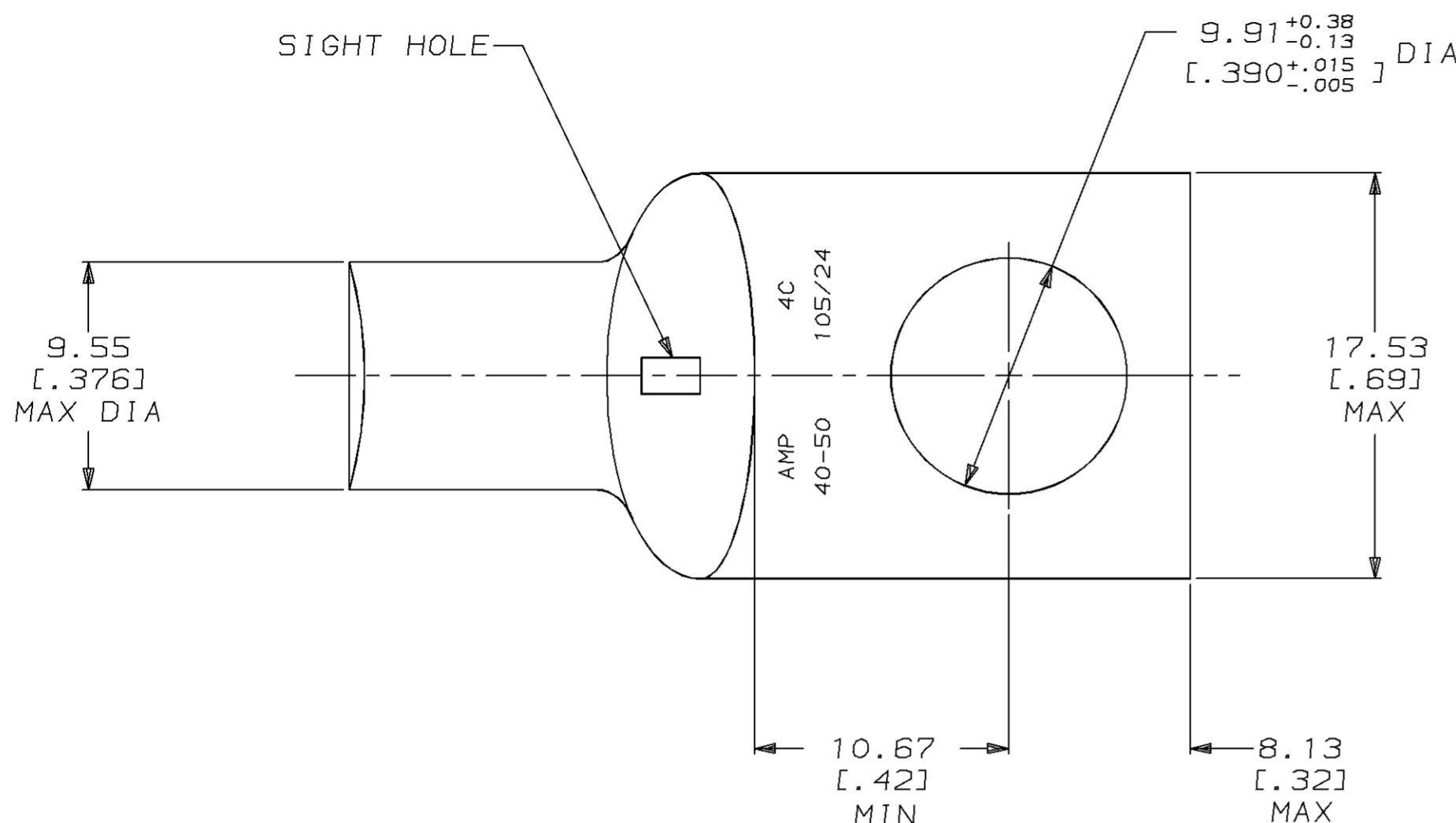
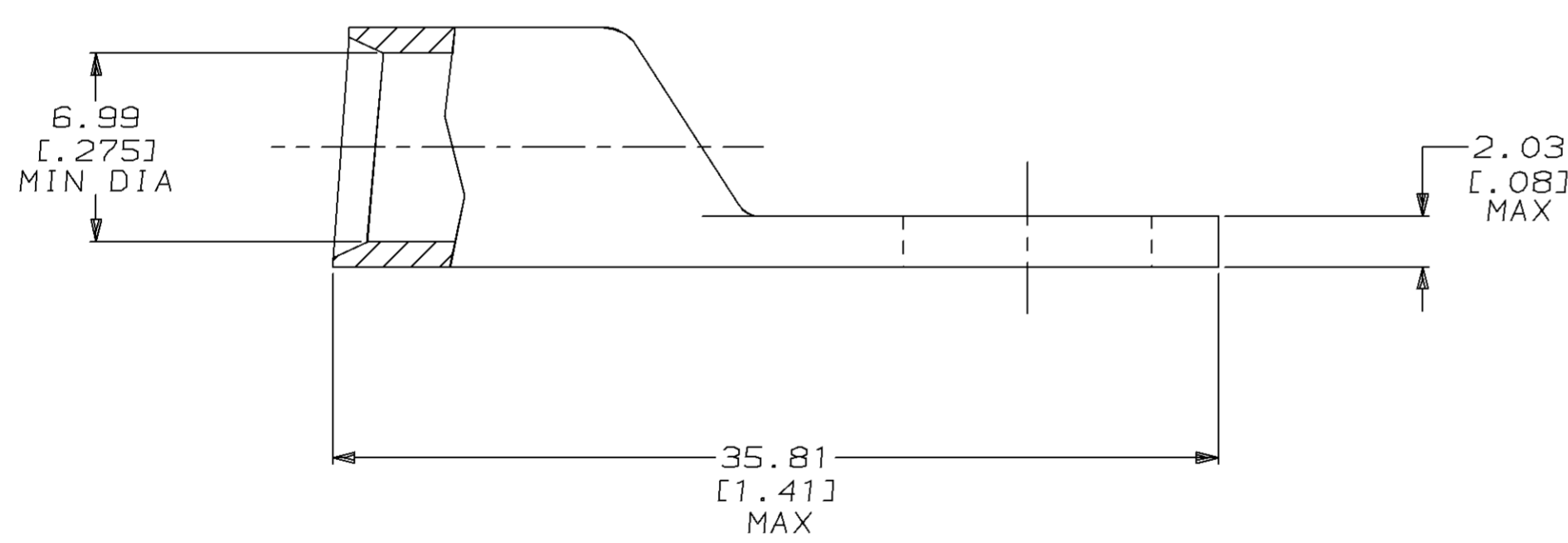


LOC		DIST		P		F		ZONE		LTR		REVISIONS		DATE	APPD
G		86								T		REV & REDRA PER G-5357		02/28/90	DKS



1 CIRCULAR MIL AREA RANGE: 33,100-52,600 CM  
 2 TIN PL 0.00381 [.000150] MIN THK PER MIL-T-10727



328164

328164  
PART NO

DO NOT SCALE PRINT. UNLESS SPECIFIED DIMENSIONS IN mm [INCHES] TOLERANCES ON : 2 PLC DEC ± 0.51 [.020] 3 PLC DEC ± - ANGLES ± -		DR 02/28/90 DK SCHRUM		AMP INCORPORATED Harrisburg, Pa. 17105	
MATERIAL ANNEALED COPPER ASTM B-152		CHK 19JAN95 MS FEHER			
FINISH △		APPD 19JAN95 WJ VOCKROTH		NAME TERMINAL, AMPOWER™, WIRE SIZE: 4 AWG	
		APPD 19JAN95 TL SHUTTER		SIZE C	
		PRODUCT SPEC 108-30200		CAGE CODE 00779	
		APPLICATION SPEC -		DRAWING NO 328164	
		WEIGHT .015 LB		SCALE 4:1	
				SHEET 1 OF 1	

**METRIC**