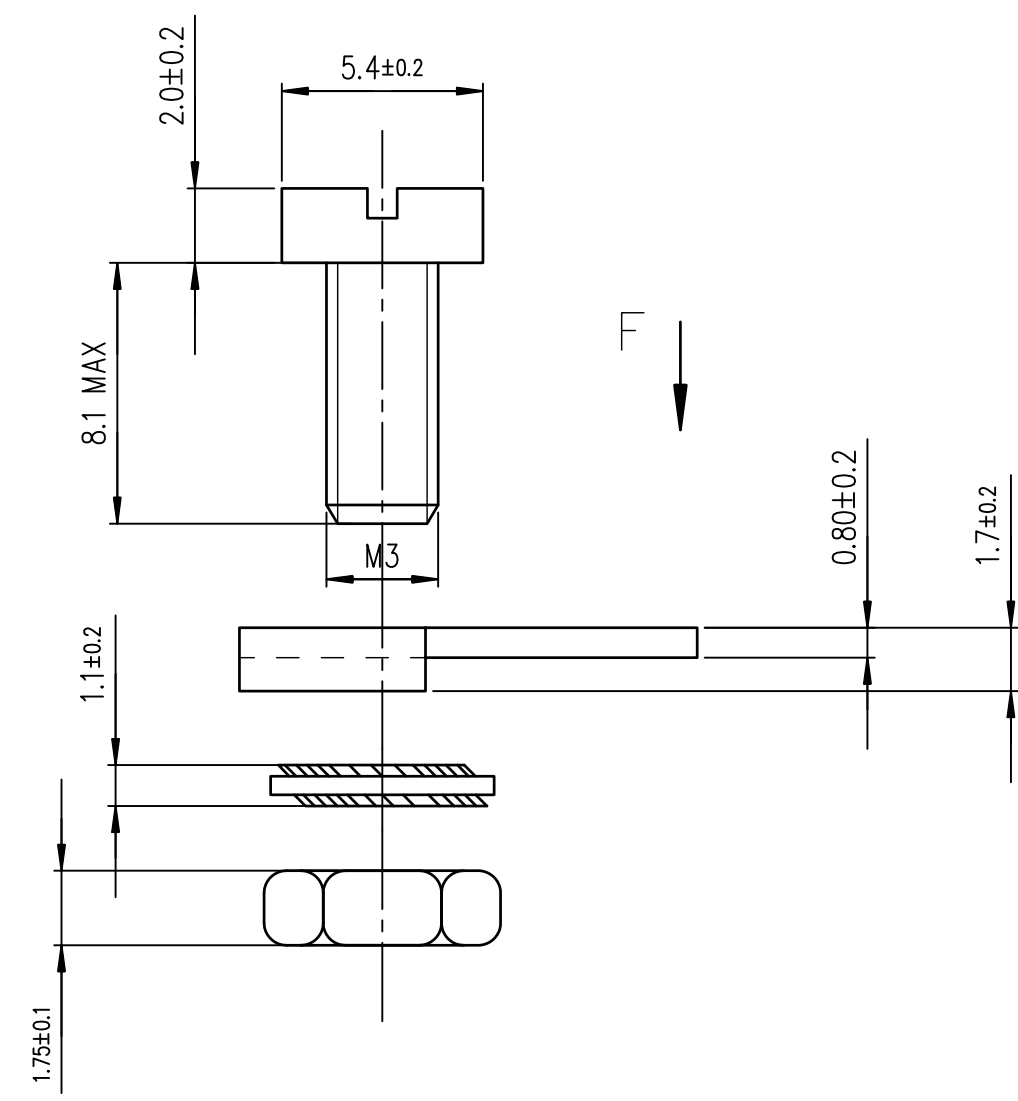




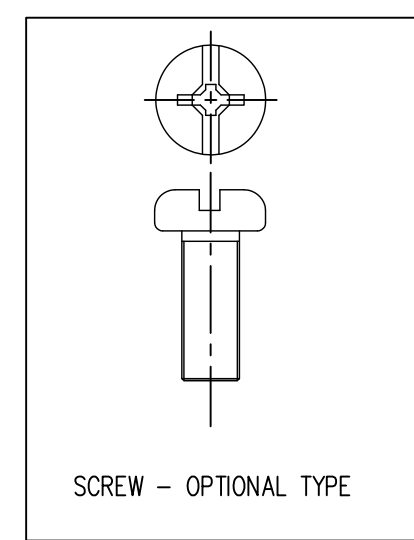
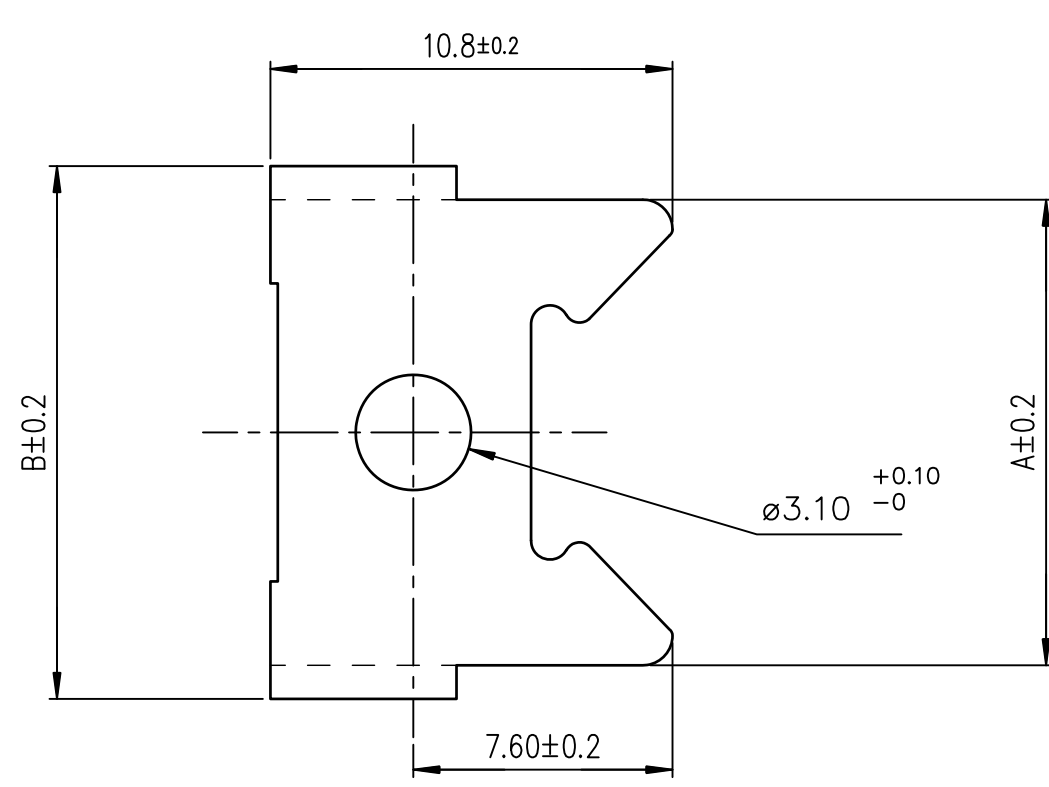
Copyright FCJ



FCIconnect.com



view F



SCREW - OPTIONAL TYPE

SCREW - BOTH HEAD TYPES ALLOWED PER LOT

PLATING : zinc

PART NUMBER	PACKAGING	A	B
86303425*	per 100 pieces	12.50	14.30
863034252*	per 2 pieces	12.50	14.30
86303426*	per 100 pieces	15.40	17.10
863034262*	per 2 pieces	15.40	17.10

\* Add LF for Lead Free P/N

mat'l. code		-		surface		ISO 1302 ✓		tolerance		ISO 406 ISO 1101		projection		product family		D-SUB	
ltr		ecn no		dr		date		tolerances unless otherwise specified		angles		linear		title		FEMALE LEVER LOCKS	
J		ELX-I-22354		MP		2015/10/30				0°±2°		MM		(SHELL SIZE 09 15 25 37 50)			
												scale 5:1		dwg no		sheet 1 of 1 size	
								dr		JARRY		1997/06/11		C01-8655-0707		A3	
								enr		MITHUN PAUL		2015/10/30		type		Product Customer Drawing	
								chr		ALIAS BABU		2015/10/30					
								app		BIJU K PAUL		2015/10/30					
sheet index		revision sheet		J		1											