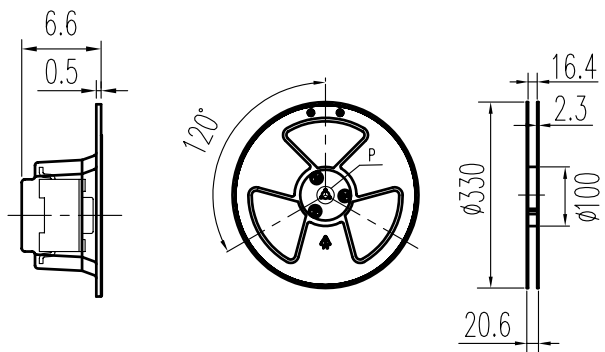
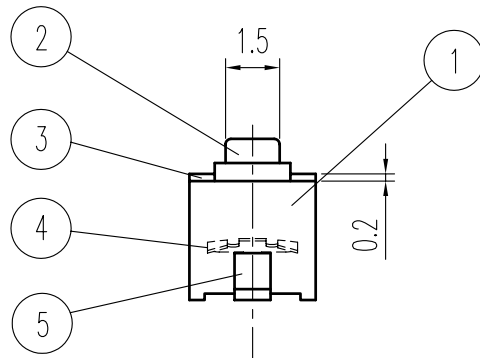


| H | | FORCE (gf) | | KNOB COLOR |
|---|-----|------------|----------|-------------|
| A | 4.3 | 1 | 180 ± 50 | NATURAL(NK) |
| B | 5 | 3 | 250 ± 50 | BLACK(BK) |



TOTAL 1250PCS PER REEL.

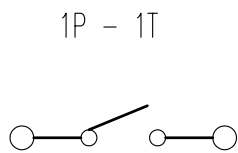
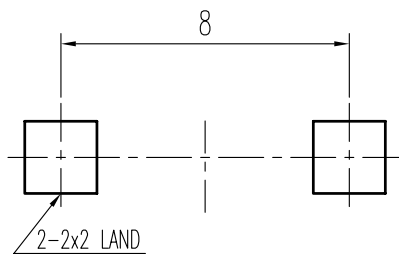


示意图 SCHEMATIC



安装孔 PIERCING PLAN

规格 Specifications

| | |
|-----------------------------------|-----------------------------|
| 额定负荷 Ratings | DC 12_V 50_m A |
| 初期接触电阻 Initial Contact Resistance | 100_mΩ Max. |
| 绝缘电阻 Insulation Resistance | DC100_V 60_Sec. 100_MΩ Min. |
| 抗电强度 Dielectric Voltage | AC 250_V (50~60HZ) 60_Sec. |

| | | 操作力 见上表 |
|-------------------------------|--|-----------------|
| 负荷寿命 Operating Life With Load | | 30,000 次 Cycles |

| | | | | | | | | |
|-------|-----------------|-------------|--------|------------|------------------|----------------|----------|---------|
| 5 | 端子 TERMINAL | C2680R | 2 | Ag PLATED | | | | |
| 4 | 弹片 SPRING PLATE | SUS | 1 | Ag CLAD | | | | |
| 3 | 盖片 COVER | SUS | 1 | NATURAL | | | | |
| 2 | 胶柄 KNOB | PA | 1 | 见上表 | | | | |
| 1 | 胶壳 HOUSING | PA | 1 | BLACK C | 标号 REV | 内容 DESCRIPTION | 签名 SIGN. | 日期 DATE |
| 序 NO. | 零件 PART | 材料 MATERIAL | 数量 QTY | 备注 REMARKS | DWG NO. ITEM2773 | | | |

| TOLERANCES UNLESS OTHERWISE SPEC. | | TITLE | TACT SWITCH | | ITEM NO | RS-032G05__-SM RT | | |
|-----------------------------------|--------|----------|-------------|------------|------------|-------------------|--------|------|
| UNDER 1 | ± 0.10 | DRAWN | 刘红梅 | 2006-10-27 | VERSION | A01 | PAGE 1 | OF 1 |
| 1 - 10 | ± 0.30 | REVIEWED | 张念明 | 2006-10-27 | SCALE | | UNIT | mm |
| OVER 10 | ± 0.50 | APPROVED | 刘瑞富 | 2006-10-30 | PROJECTION | | | |

COMAX ELECTRONICS (HUIZHOU) CO.,LTD.