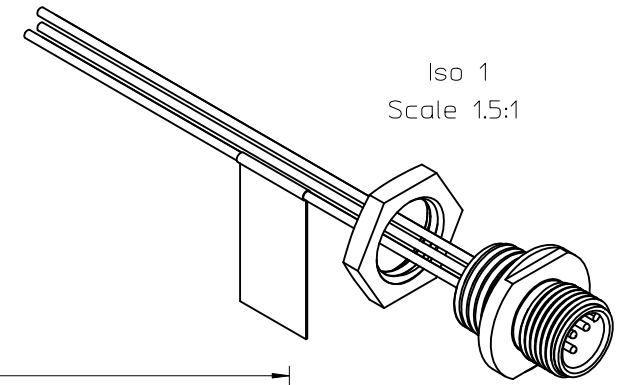
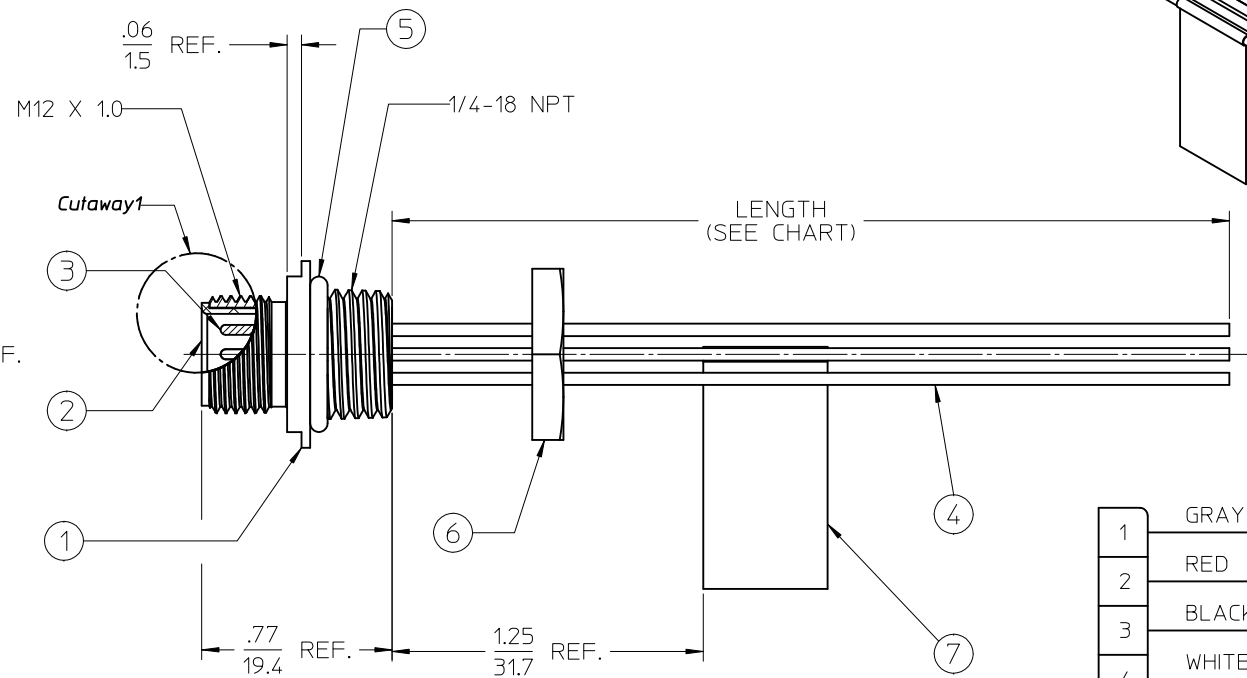
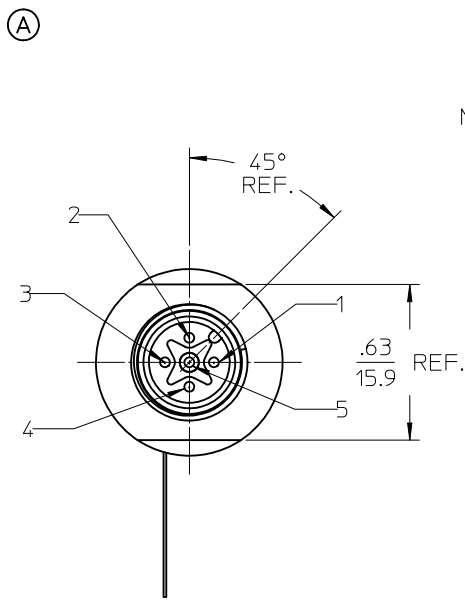


MATERIAL NO.	ENGINEERING NO.	LENGTH
848649001	84864-9001	12.00 +1.75-0 (305.0+44.5-0)

REF. THIS DRAWING SUPERSEDES SD-84864-001 REV-A



1	GRAY
2	RED
3	BLACK
4	WHITE
5	BLUE

WIRING DIAGRAM

NOTES:
 1. MATERIAL: SEE TABLE
 2. FINISHES: SEE TABLE
 3. MATES WITH: M12, FEMALE DEV-NET
 4. ELECTRICAL SPECIFICATIONS:
 VOLTAGE: 250V
 CURRENT: 4 AMPS

7	1	FLAG LABEL	PLASTIC FILM	BLACK/YELLOW
6	1	PANEL NUT	BRASS	NICKEL PLATED
5	1	O-RING	BUNA-N	BLACK
4	5	WIRE, 22-1, UL 1061	PVC INSULATION	SEE WIRE DIAGRAM
3	5	CONTACT PIN	Cu ALLOY	GOLD PLATED
2	1	INSERT, 5P, MALE	NYLON	BLACK
1	1	RECEPTACLE SHELL	BRASS	NICKEL PLATED
ITEM	QTY.	DESCRIPTION	MATERIAL	FINISH

REV'D & REDRAWN
 EC NO: WNA2011-0180
 DR: WNRSTONE 2010/10/05
 CHKDK: JOZWIK 2010/10/07
 APPR: JFMURPHY

QUALITY SYMBOLS
 ▽=0
 ▽=0

GENERAL TOLERANCES (UNLESS SPECIFIED)

	mm	INCH
4 PLACES	± .005	± .0005
3 PLACES	± .005	± .0005
2 PLACES	± .005	± .0005
1 PLACE	± 0.25	± .010
ANGULAR ± 2 °		

DRAFT WHERE APPLICABLE MUST REMAIN WITHIN DIMENSIONS

DIMENSION STYLE
 IN/MM

DRAWN BY: RSTONE DATE: 2010/10/05
 CHECKED BY: K. JOZWIK DATE: 2010/10/07
 APPROVED BY: JFMURPHY DATE: 2010/10/07

MATERIAL NO. SEE CHART

SCALE: 2:1
 DESIGN UNITS: INCH
 THIRD ANGLE PROJECTION

TITLE: MIC RECEPTACLE, 5P
 A-CODE, 22 AWG
 1/4-18 NPT

MOLEX INCORPORATED
 DOCUMENT NO. SD-84864-007
 SHEET NO. 1 OF 1