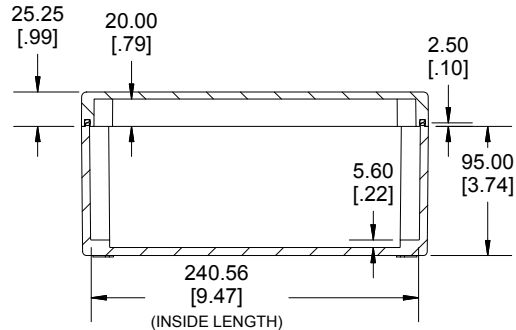
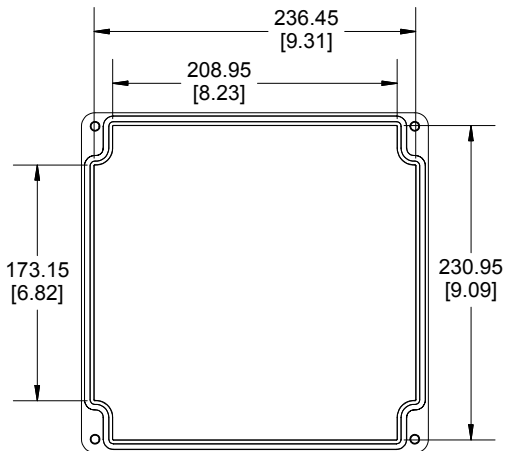


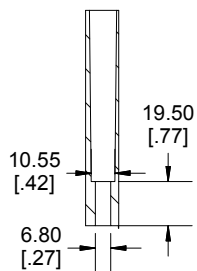
**TOP VIEW**



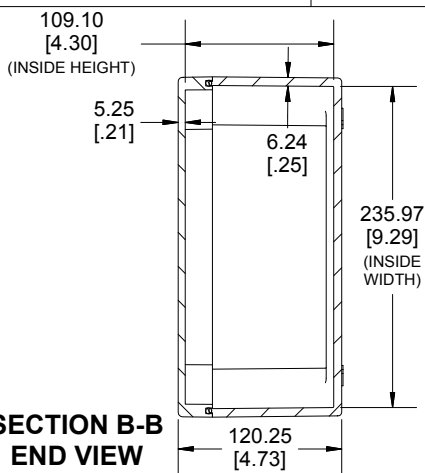
**SECTION A-A  
SIDE VIEW**



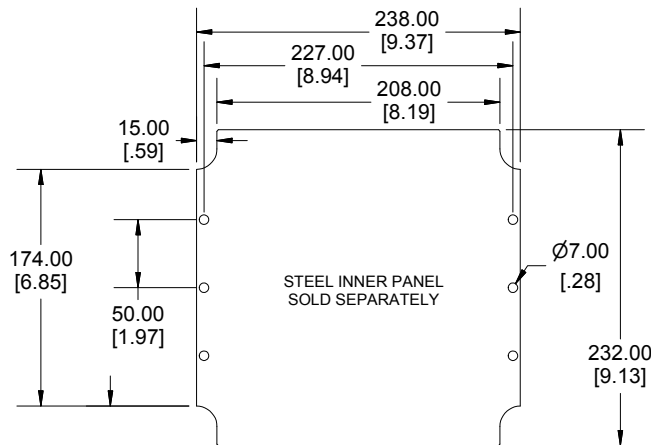
**INSIDE LID**



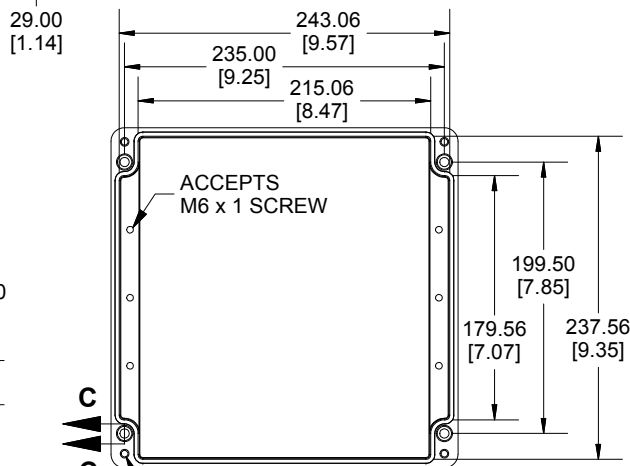
**SECTION C-C  
MOUNTING HOLE**



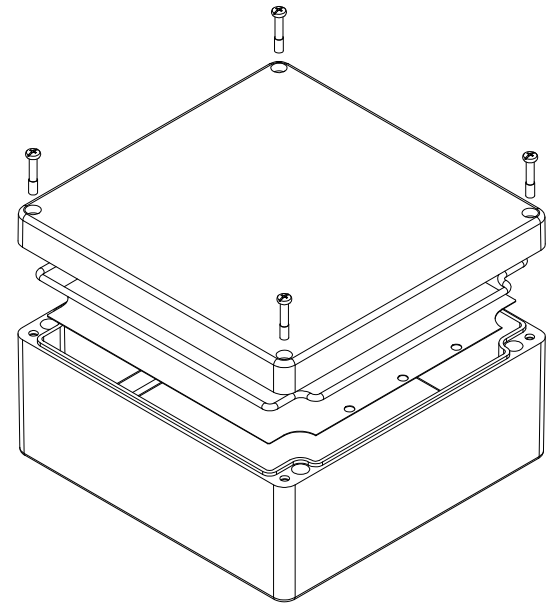
**SECTION B-B  
END VIEW**



STEEL INNER PANEL  
SOLD SEPARATELY



**INSIDE BOX**



Enclosures can be Factory Modified ( Milling, Drilling, Printing etc.)  
Contact Factory [mjm@hammondmfg.com](mailto:mjm@hammondmfg.com) for quotes  
Solid models of this enclosure available in STEP or IGES.  
(Part number and text placement/orientation on our products are subject to change,  
we do not recommend using them as a locating reference for modification purposes)

**NOTE**

Purchased assembly includes Box, Lid, Gasket and 4 cover screws  
Enclosure Molded from Glass Reinforced Polyester

**Recommended cover screw torque 8-9.5 lbf.in (90-110 cN.m)**

**PART NUMBERS**

1590ZGRP234 Enclosure

Grey Enclosure

1590ZGRP234GY

**ACCESSORIES**

Copper Ground Hardware (20 Pack)  
[M6 - 1.0 X 6mm / M6 Washer]

SCGM6GRP-20

Stainless Steel Cover Screw (20 Pack)  
[M6 - 1.0 x 30mm]

SC570-20

Steel Inner Panel

1590ZGRP234PL

Hinge Kit (2 Pack)

1427HK

**HAMMOND  
MANUFACTURING**

**1590ZGRP234**

[www.hammondmfg.com](http://www.hammondmfg.com)

Dimensions:  
mm  
[inches]