

**RS  
RS 16IO 2W I-L H S**

**Weidmüller Interface GmbH & Co. KG**  
Klingenbergstraße 16  
D-32758 Detmold  
Germany  
Fon: +49 5231 14-0  
Fax: +49 5231 14-292083  
www.weidmueller.com



The digital direct input/output interfaces are supplied with flat cable connectors to facilitate connection. They are available in tension clamp or clamping yoke connection, with elements such as fuses, disconnectors or LEDs.

**General ordering data**

|            |  |
|------------|--|
| Type       | RS 16IO 2W I-L H S                                     |
| Order No.  | <a href="#">9445750000</a>                             |
| Version    | Interface, RS, Isolator, LED, 2-wire, Screw connection |
| GTIN (EAN) | 4032248252954  |
| Qty.       | 1 pc(s).   |

**RS**  
**RS 16IO 2W I-L H S**

**Weidmüller Interface GmbH & Co. KG**  
 Klingenbergstraße 16  
 D-32758 Detmold  
 Germany  
 Fon: +49 5231 14-0  
 Fax: +49 5231 14-292083  
 www.weidmueller.com

**Technical data****Dimensions and weights**

|        |       |            |       |
|--------|-------|------------|-------|
| Length | 95 mm | Width      | 87 mm |
| Height | 72 mm | Net weight | 290 g |

**Temperatures**

|                       |             |                     |              |
|-----------------------|-------------|---------------------|--------------|
| Operating temperature | -25...+50°C | Storage temperature | -40...+60 °C |
|-----------------------|-------------|---------------------|--------------|

**General data**

|                                  |   |                           |        |
|----------------------------------|---|---------------------------|--------|
| LED status display per channel   | green   | Disconnection per channel | Yes    |
| Type of test point               | No  | Fuse per channel          | No     |
| LED status of the supply voltage | yellow  | Power supply fuse         | 3.15 A |
| Common pole polarity             | Positive or negative can be selected using jumper |                           |        |

**Connection data**

|                                |                           |                            |  |
|--------------------------------|---------------------------|----------------------------|--|
| Connection to PLC              | HE 10 connector - 20 pole | Connection on control side | Connector according IEC60603-13/DIN4 165 1 |
| Number of poles (control side) | 20-pole plug              | Connection (field side)    | LP2N 5.08mm                                |
| Wiring system                  | 2-wire                    |                            |  |

**Ratings data**

|                         |                   |                          |     |
|-------------------------|-------------------|--------------------------|-----|
| Operating voltage       | 24 V DC $\pm$ 10% | Max. current per channel | 1 A |
| Total operating current | 2 A               |                          |     |

**Insulation coordination (EN50178)**

|                                     |              |                          |           |
|-------------------------------------|--------------|--------------------------|-----------|
| According to                        | DIN EN 50178 | Rated insulation voltage | < 50 V AC |
| Surge voltage category              | III          | Pollution severity level | 2         |
| Pulse voltage test (1,2/50 $\mu$ s) | 0.8 kV       | Insulation test voltage  | 0.35 kVAC |

**Connection field**

|                                      |                     |                                      |                      |
|--------------------------------------|---------------------|--------------------------------------|----------------------|
| Type of connection                   | Screw connection    | Clamping range, min.                 | 0.13 mm <sup>2</sup> |
| Clamping range, max.                 | 6 mm <sup>2</sup>   | Solid, min. H05(07) V-U              | 0.5 mm <sup>2</sup>  |
| Solid, max. H05(07) V-U              | 6 mm <sup>2</sup>   | Flexible, min. H05(07) V-K           | 0.5 mm <sup>2</sup>  |
| Flexible, max. H05(07) V-K           | 4 mm <sup>2</sup>   | Flexible with sleeve, max.           | 2.5 mm <sup>2</sup>  |
| Flexible with sleeve, min.           | 0.5 mm <sup>2</sup> | Sleeve with plastic collar, max.     | 2.5 mm <sup>2</sup>  |
| Min. wire cross-section, AWG [field] | AWG 26              | Max. wire cross-section, AWG [field] | AWG 12               |
| Tightening torque, min.              | 0.5 Nm              | Tightening torque, max.              | 0.6 Nm               |
| Stripping length                     | 6 mm                |                                      |                      |

**Supply connection**

|                              |                     |                                   |                      |
|------------------------------|---------------------|-----------------------------------|----------------------|
| Type of connection           | Screw connection    | Clamping range, min.              | 0.13 mm <sup>2</sup> |
| Clamping range, max.         | 6 mm <sup>2</sup>   | Solid, min. H05(07) V-U           | 0.5 mm <sup>2</sup>  |
| Solid, max. H05(07) V-U      | 6 mm <sup>2</sup>   | Flexible, min. H05(07) V-K        | 0.5 mm <sup>2</sup>  |
| Flexible, max. H05(07) V-K   | 4 mm <sup>2</sup>   | Flexible with sleeve, max.        | 2.5 mm <sup>2</sup>  |
| Flexible with sleeve, min.   | 0.5 mm <sup>2</sup> | Ferrule with plastic collar, max. | 2.5 mm <sup>2</sup>  |
| Wire cross-section, min. AWG | AWG 26              | Wire cross-section, max. AWG      | AWG 12               |
| Tightening torque, min.      | 0.5 Nm              | Tightening torque, max.           | 0.6 Nm               |
| Stripping length             | 6 mm                |                                   |                      |

Creation date December 20, 2013 5:12:07 PM CET

Catalogue status / We reserve the right to make technical changes.

2

**Data sheet**

**RS  
RS 16IO 2W I-L H S**

**Weidmüller Interface GmbH & Co. KG**  
 Klingenbergstraße 16  
 D-32758 Detmold  
 Germany  
 Fon: +49 5231 14-0  
 Fax: +49 5231 14-292083  
 www.weidmueller.com

**Technical data**

**Classifications**

|            |             |            |             |
|------------|-------------|------------|-------------|
| ETIM 3.0   | EC001423    | UNSPSC     | 30-21-18-01 |
| eClass 5.1 | 27-24-22-08 | eClass 6.2 | 27-24-22-08 |
| eClass 7.1 | 27-24-22-08 |            |             |

**Product information**

|                                 |   |
|---------------------------------|---|
| Descriptive text technical data | The common C may carry up to 3 A if the external jumpers are not used |
|---------------------------------|---|

**Approvals**

Approvals



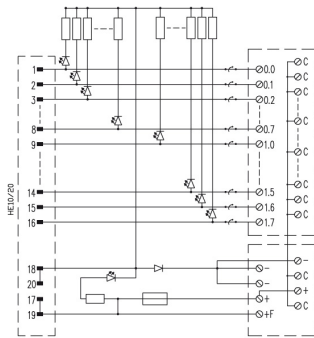
|      |         |
|------|---------|
| ROHS | Conform |
|------|---------|

**Downloads**

|                           |                                |
|---------------------------|--------------------------------|
| Declaration of Conformity | <a href="#">K277_11_04.pdf</a> |
|---------------------------|--------------------------------|

**RS  
RS 16IO 2W I-L H S**

**Weidmüller Interface GmbH & Co. KG**  
Klingenbergstraße 16  
D-32758 Detmold  
Germany  
Fon: +49 5231 14-0  
Fax: +49 5231 14-292083  
www.weidmueller.com

**Drawings**

The wiring diagram corresponds to the version with LEDs.