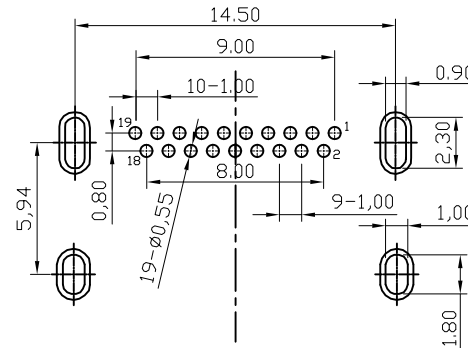
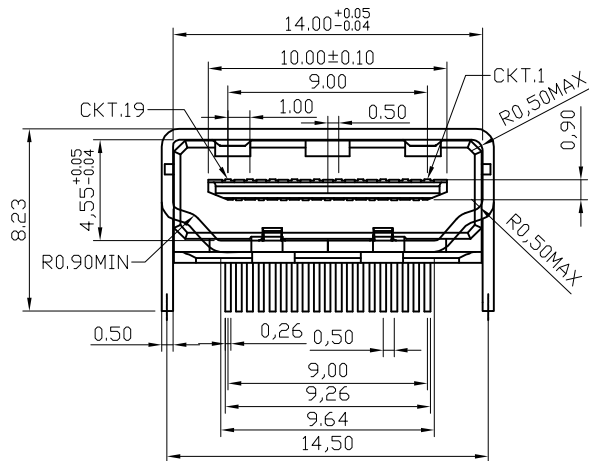
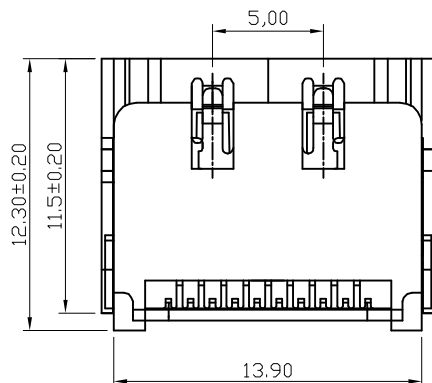


NOTES:
 SPECIFICATION:
 CONTACT CURRENT RATING: 0.5 AMPERES.
 DIELECTRIC WITHSTANDING VOLTAGE: AC 300V R.M.S.
 INSULATION RESISTANCE: 100MΩ MIN.
 CONTACT RESISTANCE: 30 mΩ MAX.
 ENVIRONMENTAL:
 OPERATING TEMPERATURE: -20°C+85°C.
 MATERIAL:
 INSULATOR: HI-TEMP PLASTIC UL 94V-0.
 CONTACT: COPPER ALLOY T=0.25mm.
 SHELL: IRON ALLOY T=0.50mm.



PCB,LAYOUT(t=1.6±0.15)



2012/03/02	XIE		NEW DWG		A0
DATE	DR.BY	ECN.NO.	DESCRIPTION	MARK	VER.
-TOLERANCES- UNLESS OTHERWISE SPECIFIED 公差參考表			<h1 style="text-align: center;">CnC Tech, LLC</h1>		
			TITLE: HDMI 19P/F DIP90兩排成品		
X.X ±0.38	X.X° ±3.00°	APPD:	PRODUCT NO: 2000-1-1-20-00-BK		
X.XX ±0.25	X.XX° ±1.00°	CHECK:	DATE	SCALE	UNIT
X.XXX ±0.100	X.XXX° ±0.500°	DRAW:	2012/03/02	1:1	mm
				UNIT	PAGE
				Z	1 / 1