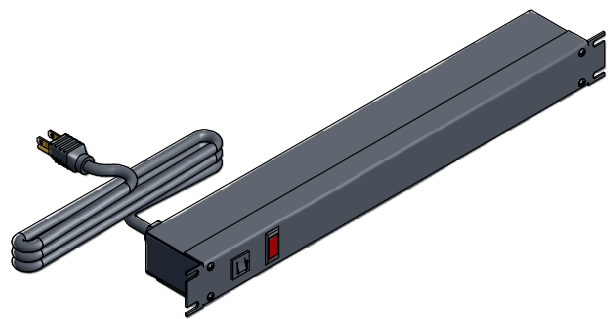
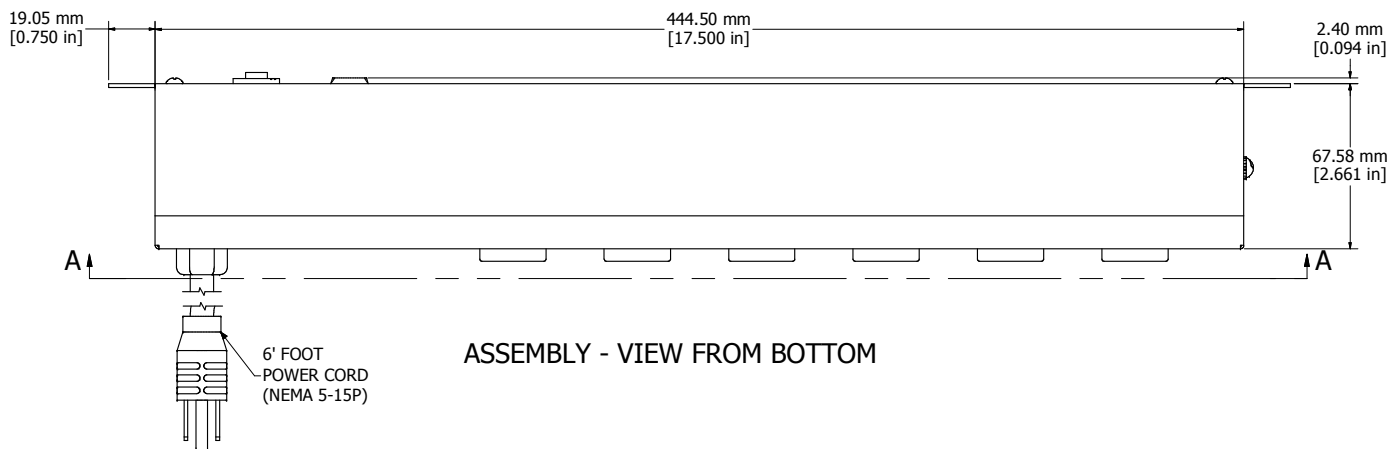


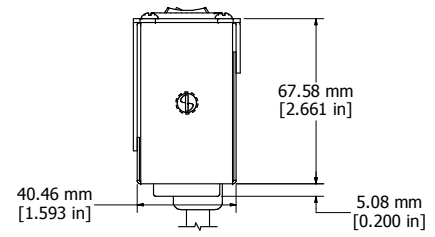
ASSEMBLY - VIEW FROM FRONT



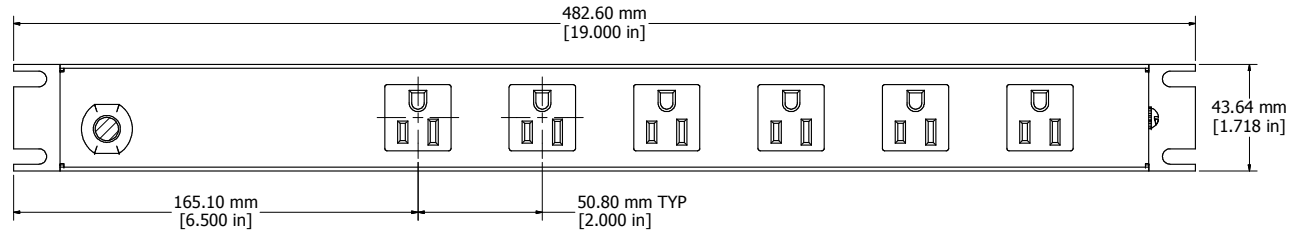
ISOMETRIC VIEW



ASSEMBLY - VIEW FROM BOTTOM



ASSEMBLY - VIEW FROM SIDE



SECTION A-A

1583T6A1BKRA	
Finish - Front - Black Painted Steel	
Back - Black Painted Steel	
Rated - 125 VAC, 60 Hz, 15 Amps	
Approvals - CSA Certified Standards C22.2 (No. 21-95, 42-99)	
- UL Recognized Standard UL1363	
Cord Length	
1583T6A1BKRA - 6' Foot Power Cord (NEMA 5-15P)	
1583T6B1BKRA - 15' Foot Power Cord (NEMA 5-15P)	

HAMMOND MANUFACTURING™
1583T6A1BKRA
www.hammondmfg.com