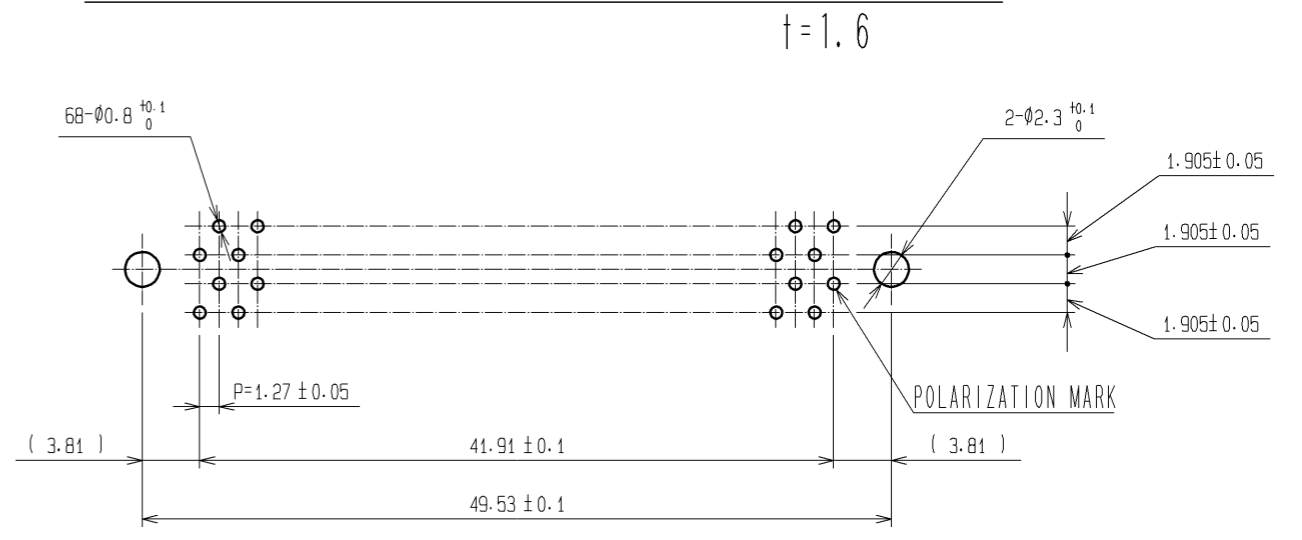


RECOMMENDED PC BOARD HOLE PATTERN (MOUNTING SIDE)



- NOTES
- LOT NO. MARKING SIDE SHALL BE OPTIONAL.
 - THE DIMENSIONS IN PARENTHESES ARE FOR REFERENCE.

5	PHOSPHOR BRONZE	TIN-PLATING	3	PHOSPHOR BRONZE	CONTACT AREA : GOLD 0.2μm min.			
1, 2, 4	POLYAMIDE	BLACK , UL94V-0			DIP AREA : TIN-PLATING 2μm min.			
					UNDER PLATING : NICKEL 2μm min.			
NO.	MATERIAL	FINISH , REMARKS	NO.	MATERIAL	FINISH , REMARKS			
UNITS	mm	SCALE	2 : 1	COUNT	DESCRIPTION OF REVISIONS	DESIGNED	CHECKED	DATE
HRS HIROSE ELECTRIC CO., LTD.		APPROVED : HS. OKAWA	07.08.22	DRAWING NO. EDC3-083224-21				
		CHECED : HS. OZAWA	07.08.22	PART NO. FX2C2-68S-1.27DSAL(71)				
		DESIGNED : KY. NAKAMURA	07.08.22	CODE NO. CL572-2476-6-71				
		DRAWN : TP. MATSUMOTO	07.08.10					