

Pin NUMBER	SIGNAL NAME
1	VBUS
2	D-
3	D+
4	GND
5	StdA_SSRX-
6	StdA_SSRX+
7	GND_DRAIN
8	StdA_SSTX-
9	StdA_SSTX+
Shell	Shield

NOTE:

1. MATERIAL:

- 1.1 INSULATOR: LCP UL94V-0 BLUE
- 1.2 CONTACT: 1~4PIN, C5191-H(T=0.20mm)
5~9PIN, C2680-H(T=0.20mm)
- 1.3 SHELL: FRONT SHELL, BRASS(T=0.30mm)
COVER SHELL, SPCC(T=0.20mm)

2. ELECTRICAL CHARACTERISTICS:

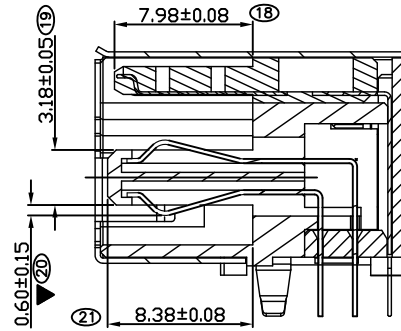
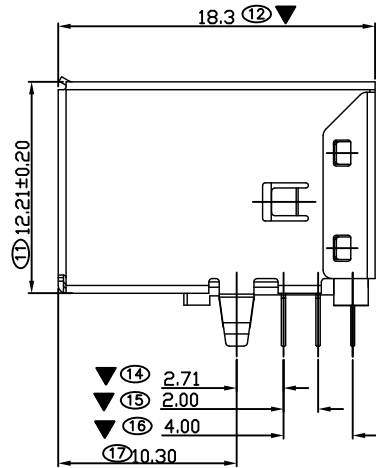
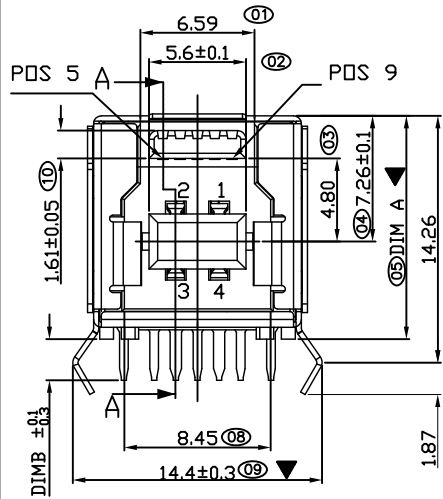
- 2.1 CONTACT RESISTANCE: 30mΩ Max
- 2.2 CONTACT CURRENT RATING: 1.5A
- 2.3 DIELECTRIC WITHSTANDING VOLTAGE: 500 V R.M.S.
- 2.4 INSULATION RESISTANCE: 1000 MEGOHMS MIN.
- 2.5 OPERATING TEMPERATURE: -40°C ~ 85°C

3. MECHANICAL CHARACTERISTICS:

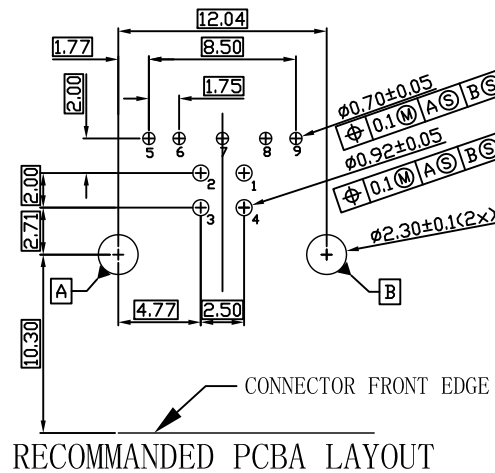
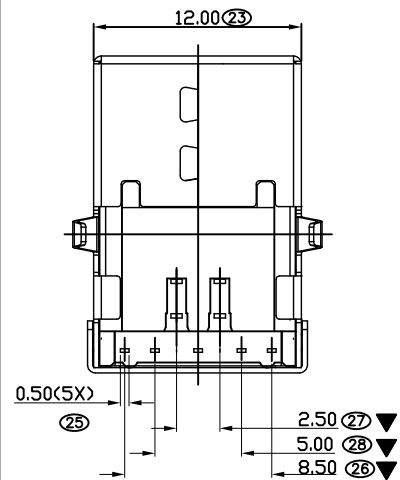
- 3.1 MATING FORCE: 35 N Max
- 3.2 UNMATED FORCE: 10 N Min INITIAL; 8 N Min AFTER TEST
- 3.3 DURABILITY: 5,000 CYCLES

4. PLATING

- 4.1 TERMINAL CONTACT: (SEE TAB) GOLD PLATING ALL OVER
50u" MIN NICKEL AND 80u" MIN Matte Tin ALL OVER 50u" MIN NICKEL IN SOLDER AREA
- 4.2 SHELL: 150u" MIN. NICEL OVER 20u" MIN BRASS.



SECTION A-A



RECOMMENDED PCBA LAYOUT

2014/06/06	Jody		Structural changes		A1				
2012/03/06	XIE		NEW DWG		A0				
DATE	DR.BY	ECN.NO.	DESCRIPTION	MARK	VER.				
-TOLERANCES- UNLESS OTHERWISE SPECIFIED			<h1 style="text-align: center;">CnC Tech, LLC</h1> <p style="text-align: center;">TITLE: USB3.0 BF DIP90度 15U"成品</p>						
X.X	±0.25	X.X°				±3.00°	APPD:	PRODUCT NO: 1003-024-02000	
X.XX	±0.20	X.XX°	±1.00°	CHECK:	DATE	SCALE	UNIT	TYPE	PAGE
X.XXX	±0.15	X.XXX°	±0.500°	DRAW:	2012/04/06	1:1	mm	Z	1/1