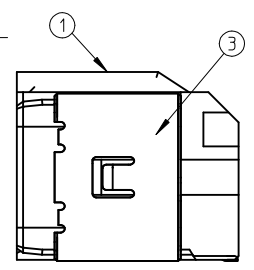
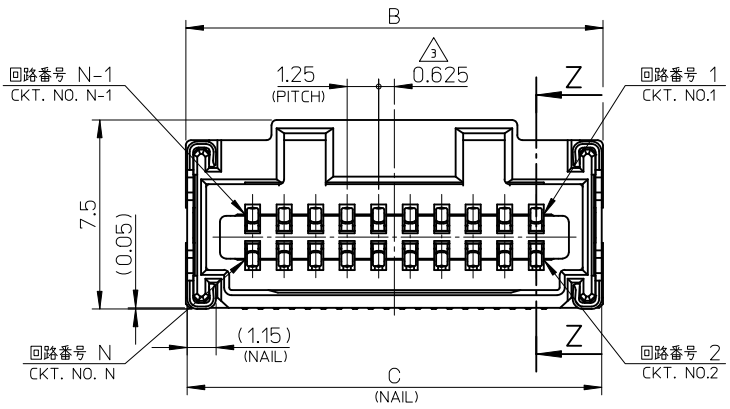
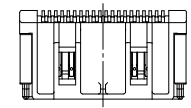


SECTION Z-Z

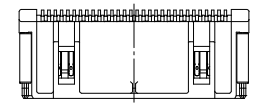


NOTES

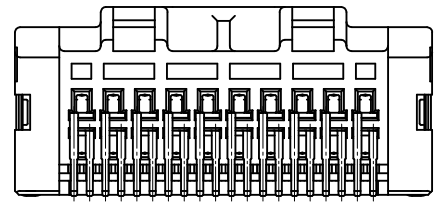
1. 嵌合相手: 503110-\*\*\*\*.  
MATE WITH: 503110-\*\*\*\*.
2. 端子テール部 及び ネイルの平坦度: 0.1MAX.  
TAIL AND NAIL COPLANARITY TO BE 0.1 MAX.
3. 極数/2=偶数に適用.  
APPLY FOR CKT. SIZE / 2 = EVEN.
4. 端子テール部 及び ネイルに錫めっきを使用しているため、  
外観に摺動痕が付く場合が御座います。  
THE WOUND OF FRICTION MIGHT ADHERE TO EXTERNALS  
BECAUSE THE TIN PLATING IS USED FOR THE TAIL AND NAIL.
5. 本製品のプラスチック部に黒点等が確認される場合や  
色合いが異なる場合がありますが、製品性能に影響はありません。  
THERE IS NO INFLUENCE IN THE PRODUCT PERFORMANCE THOUGH  
THE BLACK SPOT ETC. MIGHT BE CONFIRMED TO THE PLASTIC PART  
OF THIS PRODUCT AND THE SHADE MIGHT BE DIFFERENT.
6. ELV 及び RoHS 適合品  
ELV AND RoHS COMPLIANT



20ckt.



30ckt.



40ckt.

極数の種類 (正面図)

KIND OF CKT. NO. (FRONT VIEW)

15.5	24.375	25.9	28.95	29.05	29.5	502046-4070	40
9.25	18.125	19.65	22.7	22.8	23.25	502046-3070	30
3	11.875	13.4	16.45	16.55	17	502046-2070	20
F	E	D	C	B	A	EMBOSSED PACKAGE	極数

CONNECTOR SERIES No. 502046-\*\*00

1.25 W/B CONN. DUAL  
R/A REC. ASS'Y



MOLEX INCORPORATED

DOCUMENT NO.

SD-502046-001

SHEET NO.

1 OF 2

THIS DRAWING CONTAINS INFORMATION THAT IS PROPRIETARY TO MOLEX INCORPORATED AND SHOULD NOT BE USED WITHOUT WRITTEN PERMISSION

番号 NO.	部品 PART	材質 MATERIAL
①	ハウジング HOUSING	ポリアミド(PA) UL94V-0 色: 自然色 POLYAMIDE(PA) UL94V-0 COLOR:NATURAL
②	ターミナル TERMINAL	銅合金 COPPER ALLOY 金めっき(接点部): 0.1 micro-meter MIN. GOLD (CONTACT AREA) 錫めっき(テール部): 1.0 micro-meter MIN. TIN (TAIL AREA) ニッケルめっき(下地): 1.0 micro-meter MIN. NICKEL (UNDER PLATING)
③	ネイル NAIL	銅合金 COPPER ALLOY 錫めっき: 1.0 micro-meter MIN. TIN ニッケルめっき(下地): 1.0 micro-meter MIN. NICKEL (UNDER PLATING)

REVISED  
EC NO: J2011-0621  
DRWNR:HORI  
CHKD:  
APPR:NUKITA  
2010/10/27  
2010/11/01

GENERAL TOLERANCES (UNLESS SPECIFIED)

10 UNDER	±0.2
10 OVER 30 UNDER	±0.25
30 OVER	±0.3

ANGULAR ±3 °  
DRAFT WHERE APPLICABLE  
MUST REMAIN WITHIN DIMENSIONS

DIMENSION STYLE  
MM ONLY

DRAWN BY: T. MIYAZAKI  
DATE: 2006/03/13

CHECKED BY: K. ASAKAWA  
DATE: 2006/03/13

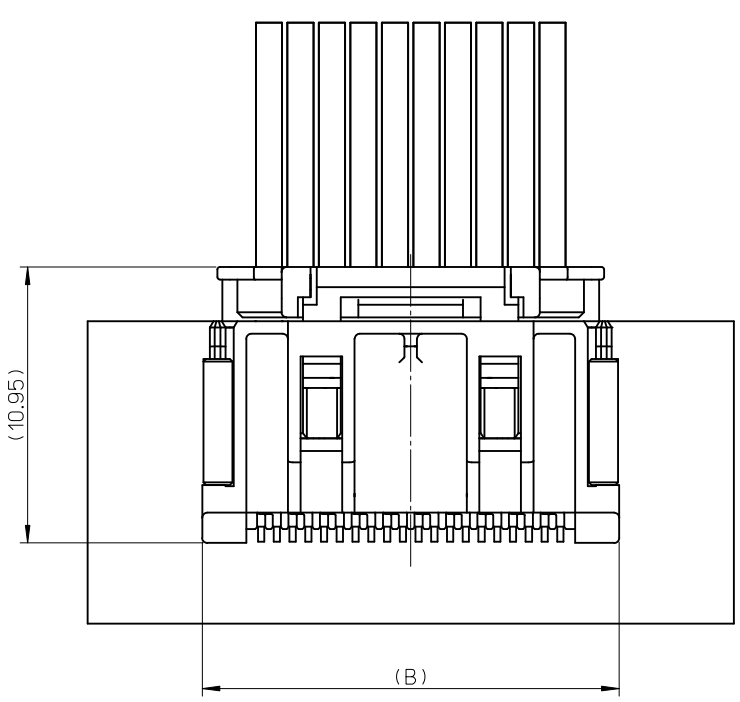
APPROVED BY: S. ICHIKAWA  
DATE: 2006/03/13

MATERIAL NO.  
SEE TABLE

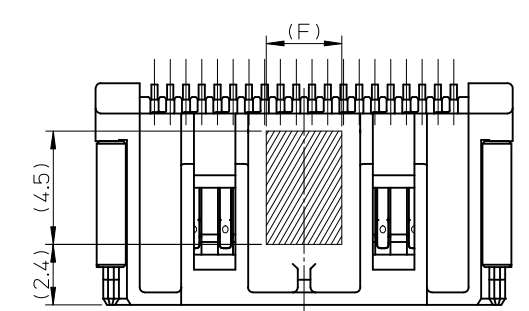
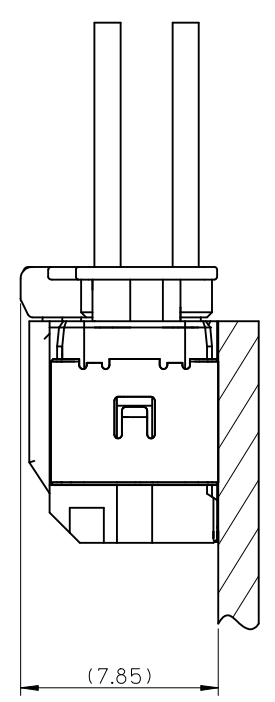
SIZE  
A3

SCALE 5:1  
DESIGN UNITS METRIC  
THIRD ANGLE PROJECTION

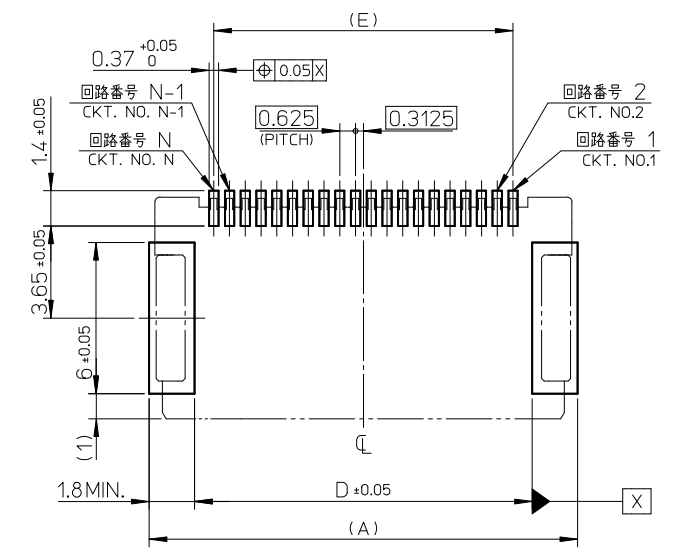
10 9 8 7 6 5 4 3 2 1



嵌合図  
MATED CONNECTORS

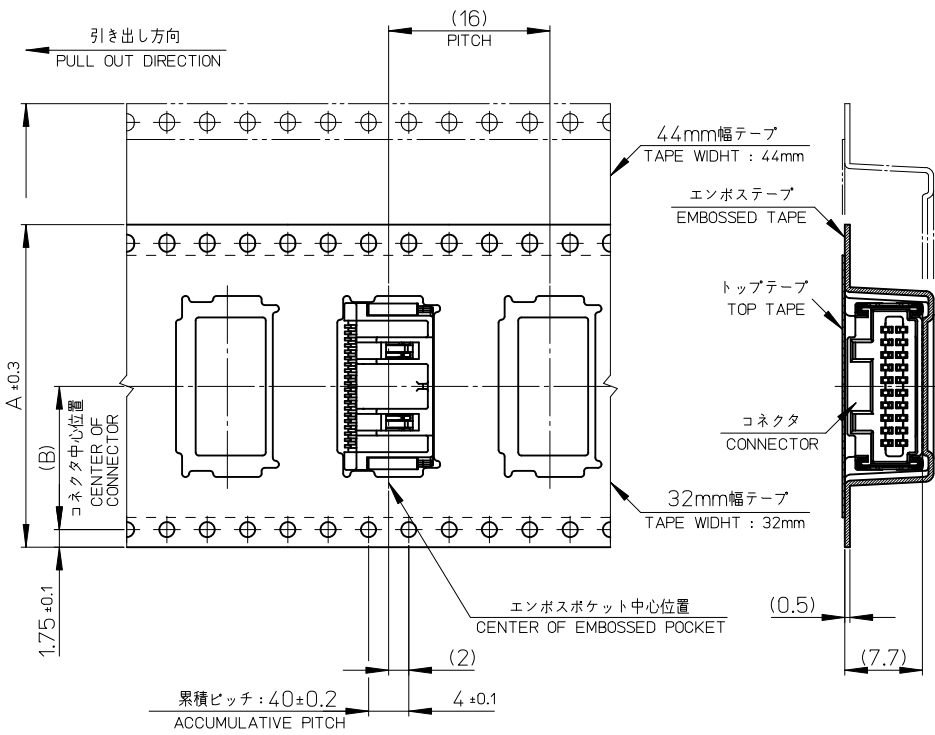
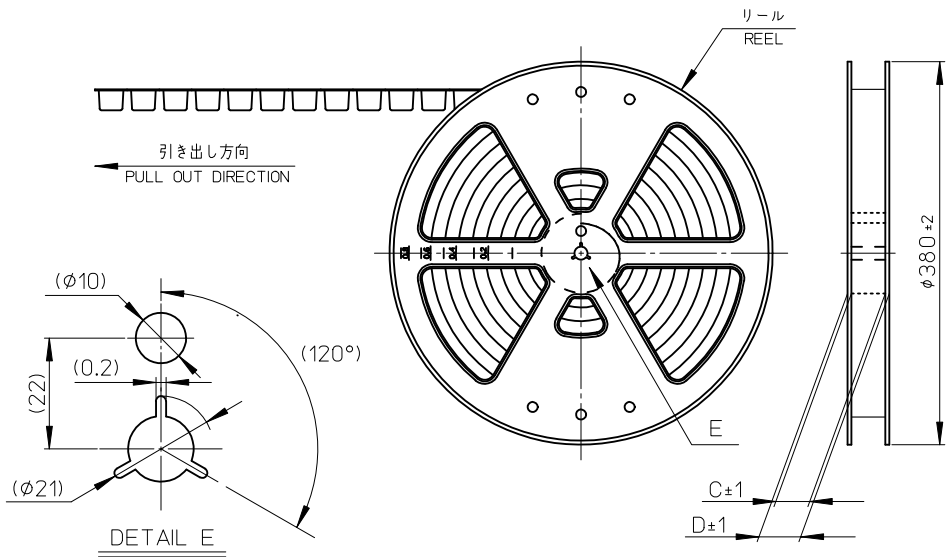


吸着範囲  
VACUME AREA



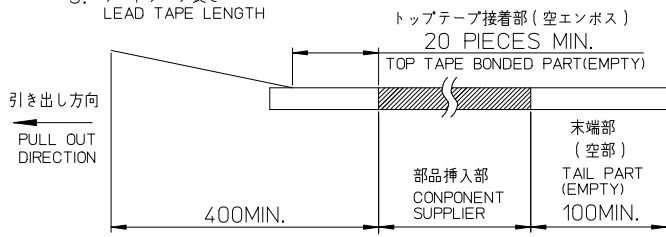
基板パターンレイアウト (参考)  
RECCOMENDED P.C.B. PATTERN LAYOUT (REF.)

REVISED EC NO.: J2011-0621 DRWNR: HORI CHKD: APPR.: NUKITA 2010/10/27 2010/11/01 DESCRIPTION REV: C	GENERAL TOLERANCES (UNLESS SPECIFIED)		DIMENSION STYLE	SCALE	DESIGN UNITS	THIRD ANGLE PROJECTION	
	10 UNDER ±0.2		MM ONLY	5:1	METRIC		
	10 OVER 30 UNDER ±0.25		DRAWN BY	DATE	TITLE		
	30 OVER ±0.3		T. MIYAZAKI	2006/03/13	1.25 W/B CONN. DUAL R/A REC. ASS'Y		
	ANGULAR ±3 °		CHECKED BY	DATE	MOLEX INCORPORATED		
DRAFT WHERE APPLICABLE MUST REMAIN WITHIN DIMENSIONS		K. ASAKAWA	2006/03/13	APPROVED BY	DATE	DOCUMENT NO.	
		S. ICHIKAWA	2006/03/13	SEE SHEET 1		SD-502046-001	
		MATERIAL NO.		SHEET NO.			
		SIZE		THIS DRAWING CONTAINS INFORMATION THAT IS PROPRIETARY TO MOLEX INCORPORATED AND SHOULD NOT BE USED WITHOUT WRITTEN PERMISSION			
		A3		2 OF 2			



**NOTES**

- 製品詳細寸法については、SD-502046-001 を参照下さい。  
PLEASE REFER TO SD-502046-001 FOR THE DETAILED DIMENSION OF THE CONNECTOR.
- 梱包数量 : 650個  
NUMBER OF CONNECTORS : 650 PIECES/REEL.
- リードテープ長さ  
LEAD TAPE LENGTH



- 材料 MATERIAL  
キャリアテープ: ポリスチレン (PS)  
CARRIER TAPE: POLYSTYRENE (PS)  
トップテープ: ポリエステル (PET)、その他  
TOP TAPE: POLYESTER (PET)、OTHER  
リール: ポリスチレン (PS) <リサイクル材を含む>  
REEL: POLYSTYRENE (PS) <RECYCLE MATERIAL CONTAINED>
- ELV及びRoHS適合品  
ELV AND RoHS COMPLIANT

49.4	45.4	20.2	44	44	502046-4070	40
49.4	45.4	20.2	44	44	502046-3070	30
37.4	33.4	14.2	32	32	502046-2070	20
D	C	B	A	エンボステープ幅 A WIDTH OF TAPE	EMBOSSSED PACKAGE オーダー番号 ORDER No.	極数 CIRCUITS

REVISED EC NO: J2010-1115 DRWN: NYOSHIKAWA 2009/12/03 CHKD: K. ASAKAWA 2009/12/07 APPR: NUKITA 2009/12/07	DESCRIPTION GENERAL TOLERANCES (UNLESS SPECIFIED)	10 UNDER	± 0.2	DIMENSION STYLE MM ONLY	SCALE ---	DESIGN UNITS METRIC	THIRD ANGLE PROJECTION					
		10 OVER 30 UNDER	± 0.25									
		30 OVER	± 0.3									
		ANGULAR ± 3 °										
REV B	DESCRIPTION DRAFT WHERE APPLICABLE MUST REMAIN WITHIN DIMENSIONS	SEE TABLE		DRAWN BY T. MIYAZAKI	DATE 2006/03/13	TITLE 1.25 W/B CONN. DUAL R/A REC. EMBTP PKG	DOCUMENT NO. SD-502046-002					
		SIZE A3						APPROVED BY S. ICHIKAWA	DATE 2006/03/13	MATERIAL NO.		
		THIS DRAWING CONTAINS INFORMATION THAT IS PROPRIETARY TO MOLEX INCORPORATED AND SHOULD NOT BE USED WITHOUT WRITTEN PERMISSION									MOLEX INCORPORATED	SHEET NO. 1 OF 1