

EVALUATION KIT  
AVAILABLE



# Anything-to-LVDS Dual 2 x 2 Crosspoint Switches

MAX9390/MAX9391

## General Description

The MAX9390/MAX9391 dual 2 x 2 crosspoint switches perform high-speed, low-power, and low-noise signal distribution. The MAX9390/MAX9391 multiplex one of two differential input pairs to either or both low-voltage differential signaling (LVDS) outputs for each channel. Independent enable inputs turn on or turn off each differential output pair.

Four LVCMOS/LVTTL logic inputs (two per channel) control the internal connections between inputs and outputs. This flexibility allows for the following configurations: 2 x 2 crosspoint switch, 2:1 mux, 1:2 splitter, or dual repeater. This makes the MAX9390/MAX9391 ideal for protection switching in fault-tolerant systems, loopback switching for diagnostics, fanout buffering for clock/data distribution, and signal regeneration.

Fail-safe circuitry forces the outputs to a differential low condition for undriven inputs or when the common-mode voltage exceeds the specified range. The MAX9390 provides high-level input fail-safe detection for LVDS, HSTL, and other GND-referenced differential inputs. The MAX9391 provides low-level input fail-safe detection for LVPECL, CML, and other V<sub>CC</sub>-referenced differential inputs.

Ultra-low 82ps<sub>(P-P)</sub> (max) pseudorandom bit sequence (PRBS) jitter ensures reliable communications in high-speed links that are highly sensitive to timing error, especially those incorporating clock-and-data recovery, or serializers and deserializers. The high-speed switching performance guarantees 1.5GHz operation and less than 65ps (max) skew between channels.

LVDS inputs and outputs are compatible with the TIA/EIA-644 LVDS standard. The LVDS outputs drive 100Ω loads. The MAX9390/MAX9391 are offered in a 32-pin TQFP package and operate over the extended temperature range (-40°C to +85°C).

Also refer to the MAX9392/MAX9393 with flow-through pinout.

## Applications

- High-Speed Telecom/Datacom Equipment
- Central-Office Backplane Clock Distribution
- DSLAM
- Protection Switching
- Fault-Tolerant Systems

Functional Diagram and Typical Operating Circuit appear at end of data sheet.



## Features

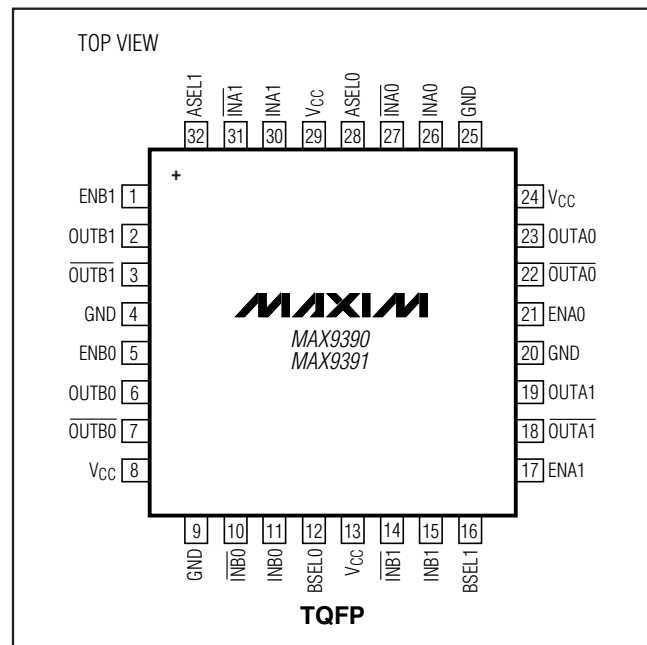
- ◆ 1.5GHz Operation with 250mV Differential Output Swing
- ◆ 2ps(RMS) (max) Random Jitter
- ◆ AC Specifications Guaranteed for 150mV Differential Input
- ◆ Signal Inputs Accept Any Differential Signaling Standard
- ◆ LVDS Outputs for Clock or High-Speed Data
- ◆ High-Level Input Fail-Safe Detection (MAX9390)
- ◆ Low-Level Input Fail-Safe Detection (MAX9391)
- ◆ 3.0V to 3.6V Supply Voltage Range
- ◆ LVCMOS/LVTTL Logic Inputs Control Signal Routing

## Ordering Information

PART	TEMP RANGE	PIN-PACKAGE	PKG CODE
MAX9390EHJ	-40°C to +85°C	32 TQFP	H32-1
MAX9390EHJ+	-40°C to +85°C	32 TQFP	H32-1
MAX9391EHJ	-40°C to +85°C	32 TQFP	H32-1
MAX9391EHJ+	-40°C to +85°C	32 TQFP	H32-1

+Denotes a lead-free package.

## Pin Configurations



# Anything-to-LVDS Dual 2 x 2 Crosspoint Switches

## ABSOLUTE MAXIMUM RATINGS

V <sub>CC</sub> to GND	-0.3V to +4.1V
IN <sub>-</sub> , IN <sub>-</sub> , OUT <sub>-</sub> , OUT <sub>-</sub> , EN <sub>-</sub> , _SEL <sub>-</sub> to GND	-0.3V to (V <sub>CC</sub> + 0.3V)
IN <sub>-</sub> to IN <sub>-</sub>	±3V
Short-Circuit Duration (OUT <sub>-</sub> , OUT <sub>-</sub> )	Continuous
Continuous Power Dissipation (T <sub>A</sub> = +70°C)	
32-Pin QFP (derate 13.1mW/°C above +70°C)	1047mW
Junction-to-Ambient Thermal Resistance in Still Air	
32-Pin TQFP	+76.4°C/W

Operating Temperature Range	-40°C to +85°C
Junction Temperature	+150°C
Storage Temperature Range	-65°C to +150°C
ESD Protection (Human Body Model)	
(IN <sub>-</sub> , IN <sub>-</sub> , OUT <sub>-</sub> , OUT <sub>-</sub> , EN <sub>-</sub> , SEL <sub>-</sub> )	±2kV
Soldering Temperature (10s)	+300°C

Stresses beyond those listed under "Absolute Maximum Ratings" may cause permanent damage to the device. These are stress ratings only, and functional operation of the device at these or any other conditions beyond those indicated in the operational sections of the specifications is not implied. Exposure to absolute maximum rating conditions for extended periods may affect device reliability.

## DC ELECTRICAL CHARACTERISTICS

(V<sub>CC</sub> = 3.0V to 3.6V, R<sub>L</sub> = 100Ω ±1%, EN<sub>-</sub> = V<sub>CC</sub>, V<sub>CM</sub> = 0.05V to (V<sub>CC</sub> - 0.6V) (MAX9390), V<sub>CM</sub> = 0.6V to (V<sub>CC</sub> - 0.05V) (MAX9391) T<sub>A</sub> = -40°C to +85°C, unless otherwise noted. Typical values are at V<sub>CC</sub> = 3.3V, |V<sub>ID</sub>| = 0.2V, V<sub>CM</sub> = 1.2V, T<sub>A</sub> = +25°C.) (Notes 1, 2, and 3)

PARAMETER	SYMBOL	CONDITIONS	MIN	TYP	MAX	UNITS
<b>LVC MOS/LVTTL INPUTS (EN<sub>-</sub>, _SEL<sub>-</sub>)</b>						
Input High Voltage	V <sub>IH</sub>		2.0		V <sub>CC</sub>	V
Input Low Voltage	V <sub>IL</sub>		0		0.8	V
Input High Current	I <sub>IH</sub>	V <sub>IN</sub> = 2.0V to V <sub>CC</sub>	0		20	μA
Input Low Current	I <sub>IL</sub>	V <sub>IN</sub> = 0 to 0.8V	0		10	μA
<b>DIFFERENTIAL INPUTS (IN<sub>-</sub>, IN<sub>-</sub>)</b>						
Differential Input Voltage	V <sub>ID</sub>	V <sub>ILD</sub> ≥ 0 and V <sub>IHD</sub> ≤ V <sub>CC</sub> , Figure 1	0.1		3.0	V
Input Common-Mode Range	V <sub>CM</sub>	MAX9390	0.05		V <sub>CC</sub> - 0.6	V
		MAX9391	0.6		V <sub>CC</sub> - 0.05	
Input Current	I <sub>IN<sub>-</sub></sub> , I <sub>IN<sub>-</sub></sub>	MAX9390			+10	μA
		MAX9391	V <sub>ID</sub>   ≤ 3.0V		+100	
<b>LVDS OUTPUTS (OUT<sub>-</sub>, OUT<sub>-</sub>)</b>						
Differential Output Voltage	V <sub>OD</sub>	R <sub>L</sub> = 100Ω, Figure 2	250	350	450	mV
Change in Magnitude of V <sub>OD</sub> Between Complementary Output States	ΔV <sub>OD</sub>	Figure 2		1.0	50	mV
Offset Common-Mode Voltage	V <sub>OS</sub>	Figure 2	1.125	1.25	1.375	V
Change in Magnitude of V <sub>OS</sub> Between Complementary Output States	ΔV <sub>OS</sub>	Figure 2		1.0	50	mV

# Anything-to-LVDS Dual 2 x 2 Crosspoint Switches

MAX9390/MAX9391

## DC ELECTRICAL CHARACTERISTICS (continued)

( $V_{CC} = 3.0V$  to  $3.6V$ ,  $R_L = 100\Omega \pm 1\%$ ,  $EN_{\_} = V_{CC}$ ,  $V_{CM} = 0.05V$  to  $(V_{CC} - 0.6V)$  (MAX9390),  $V_{CM} = 0.6V$  to  $(V_{CC} - 0.05V)$  (MAX9391)  $T_A = -40^\circ C$  to  $+85^\circ C$ , unless otherwise noted. Typical values are at  $V_{CC} = 3.3V$ ,  $|V_{ID}| = 0.2V$ ,  $V_{CM} = 1.2V$ ,  $T_A = +25^\circ C$ .) (Notes 1, 2, and 3)

PARAMETER	SYMBOL	CONDITIONS	MIN	TYP	MAX	UNITS
Output Short-Circuit Current (Either Output Shorted to GND)	$I_{OSI}$	$V_{ID} = \pm 100mV$ (Note 4)		30	40	mA
		$V_{OUT_{\_}} = V_{\overline{OUT}_{\_}} = 0$				
Output Short-Circuit Current (Outputs Shorted Together)	$I_{OSBI}$	$V_{ID} = \pm 100mV$ , $V_{OUT_{\_}} = V_{\overline{OUT}_{\_}}$ (Note 4)		5.0	12	mA
<b>SUPPLY CURRENT</b>						
Supply Current	$I_{CC}$	$R_L = 100\Omega$ , $EN_{\_} = V_{CC}$		68	98	mA
		$R_L = 100\Omega$ , $EN_{\_} = V_{CC}$ , switching at 670MHz (1.34Gbps)		68	98	

## AC ELECTRICAL CHARACTERISTICS

( $V_{CC} = 3.0V$  to  $3.6V$ ,  $f_{IN} \leq 1.34GHz$ ,  $t_{R\_IN} = t_{F\_IN} = 125ps$ ,  $R_L = 100\Omega \pm 1\%$ ,  $|V_{ID}| \geq 150mV$ ,  $V_{CM} = 0.075V$  to  $(V_{CC} - 0.6V)$  (MAX9390 only),  $V_{CM} = 0.6V$  to  $(V_{CC} - 0.075V)$  (MAX9391 only),  $EN_{\_} = V_{CC}$ ,  $T_A = -40^\circ C$  to  $+85^\circ C$ , unless otherwise noted. Typical values are at  $V_{CC} = 3.3V$ ,  $|V_{ID}| = 0.2V$ ,  $V_{CM} = 1.2V$ ,  $f_{IN} = 1.34GHz$ ,  $T_A = +25^\circ C$ .) (Note 5)

PARAMETER	SYMBOL	CONDITIONS	MIN	TYP	MAX	UNITS
$\_SEL_{\_}$ to Switched Output	$t_{SWITCH}$	Figure 3			1.1	ns
Disable, Time to Differential Output Low	$t_{PHD}$	Figure 4			1.7	ns
Enable, Time to Differential Output High	$t_{PDH}$	Figure 4			1.7	ns
Switching Frequency	$f_{MAX}$	$V_{OD} \geq 250mV$	1.50	2.20		GHz
Low-to-High Propagation Delay	$t_{PLH}$	Figures 1, 5	294	409	565	ps
High-to-Low Propagation Delay	$t_{PHL}$	Figures 1, 5	286	402	530	ps
Pulse Skew $(t_{PLH} - t_{PHL})$	$t_{SKEW}$	Figures 1, 5 (Note 6)		7	97	ps
Output-to-Output Skew	$t_{CCS}$	Figures 5, 6 (Note 7)		10	65	ps
Output Low-to-High Transition Time (20% to 80%)	$t_R$	Figures 1, 5; $f_{IN} = 100MHz$	112	153	185	ps
Output High-to-Low Transition Time (80% to 20%)	$t_F$	Figures 1, 5; $f_{IN} = 100MHz$	112	153	185	ps
Added Random Jitter	$t_{RJ}$	$f_{IN_{\_}} = 1.34GHz$ , clock pattern (Note 8)			2	ps(RMS)
Added Deterministic Jitter	$t_{DJ}$	1.34Gbps, $2^{23} - 1$ PRBS (Note 8)		55	82	ps(P-P)

**Note 1:** Measurements obtained with the device in thermal equilibrium. All voltages referenced to GND except  $V_{ID}$ ,  $V_{OD}$ , and  $\Delta V_{OD}$ .

**Note 2:** Current into the device defined as positive. Current out of the device defined as negative.

**Note 3:** DC parameters tested at  $T_A = +25^\circ C$  and guaranteed by design and characterization for  $T_A = -40^\circ C$  to  $+85^\circ C$ .

**Note 4:** Current through either output.

**Note 5:** Guaranteed by design and characterization. Limits set at  $\pm 6$  sigma.

**Note 6:**  $t_{SKEW}$  is the magnitude difference of differential propagation delays for the same output over same conditions.  $t_{SKEW} = |t_{PHL} - t_{PLH}|$ .

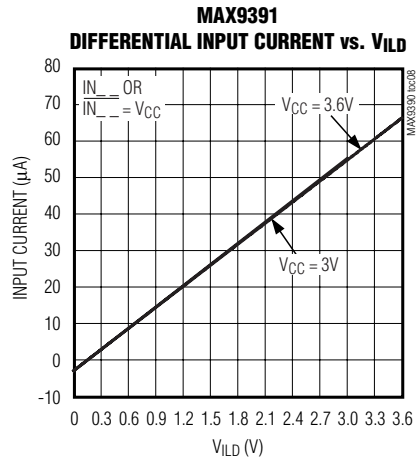
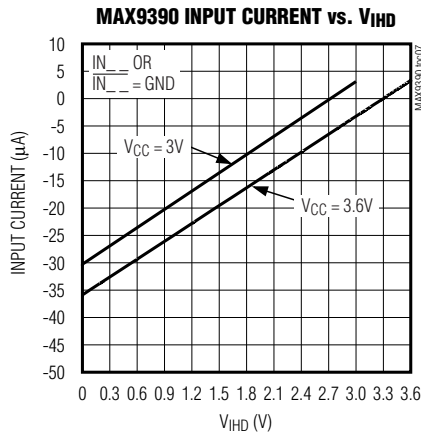
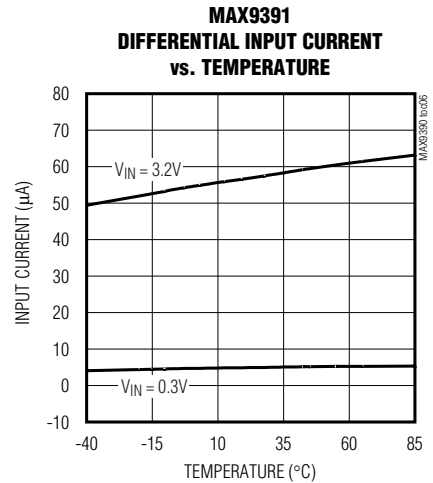
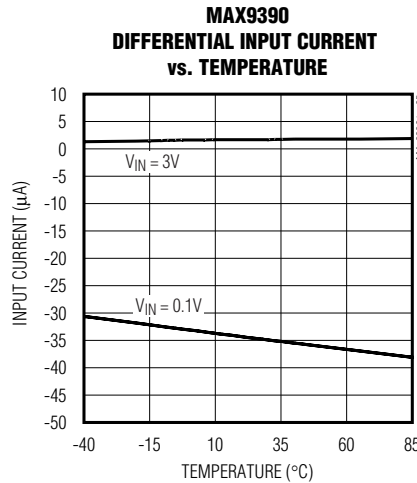
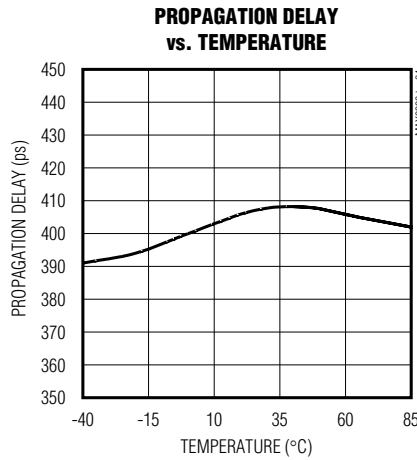
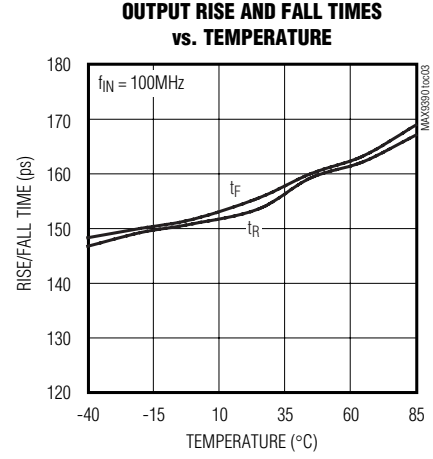
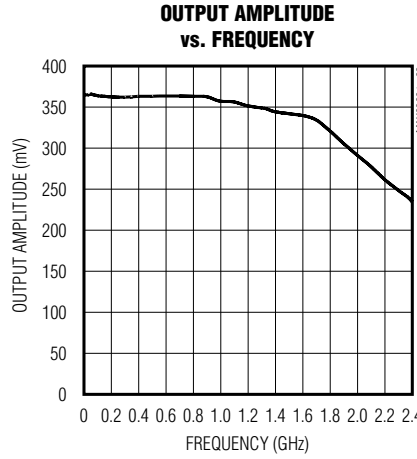
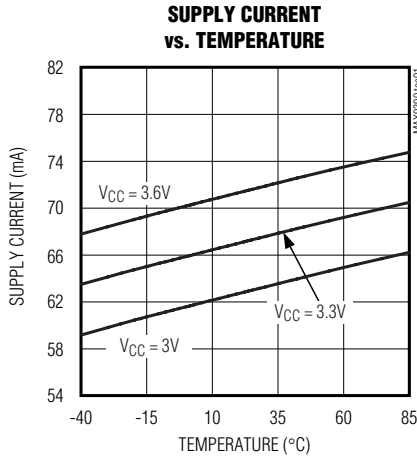
**Note 7:** Measured between outputs of the same device at the signal crossing points for a same-edge transition, under the same conditions.

**Note 8:** Device jitter added to the differential input signal.

# Anything-to-LVDS Dual 2 x 2 Crosspoint Switches

## Typical Operating Characteristics

( $V_{CC} = 3.3V$ ,  $|V_{ID}| = 0.2V$ ,  $V_{CM} = 1.2V$ ,  $f_{IN} = 1.34GHz$ ,  $T_A = +25^{\circ}C$ .)



# Anything-to-LVDS Dual 2 x 2 Crosspoint Switches

## Pin Description

MAX9390/MAX9391

PIN	NAME	FUNCTION
1	ENB1	B1 Output Enable. Drive ENB1 high to enable the B1 LVDS outputs. An internal 435k $\Omega$ resistor pulls ENB1 low when unconnected.
2	OUTB1	B1 LVDS Noninverting Output. Connect a 100 $\Omega$ termination resistor between OUTB1 and $\overline{\text{OUTB1}}$ at the receiver inputs to ensure proper operation.
3	$\overline{\text{OUTB1}}$	B1 LVDS Inverting Output. Connect a 100 $\Omega$ termination resistor between OUTB1 and $\overline{\text{OUTB1}}$ at the receiver inputs to ensure proper operation.
4, 9, 20, 25	GND	Ground
5	ENB0	B0 Output Enable. Drive ENB0 high to enable the B0 LVDS outputs. An internal 435k $\Omega$ resistor pulls ENB0 low when unconnected.
6	OUTB0	B0 LVDS Noninverting Output. Connect a 100 $\Omega$ termination resistor between OUTB0 and $\overline{\text{OUTB0}}$ at the receiver inputs to ensure proper operation.
7	$\overline{\text{OUTB0}}$	B0 LVDS Inverting Output. Connect a 100 $\Omega$ termination resistor between OUTB0 and $\overline{\text{OUTB0}}$ at the receiver inputs to ensure proper operation.
8, 13, 24, 29	V <sub>CC</sub>	Power-Supply Input. Bypass each V <sub>CC</sub> to GND with 0.1 $\mu$ F and 0.01 $\mu$ F ceramic capacitors. Install both bypass capacitors as close to the device as possible, with the 0.01 $\mu$ F capacitor closest to the device.
10	$\overline{\text{INB0}}$	LVDS/HSTL (MAX9390) or LVPECL/CML (MAX9391) Inverting Input. An internal 128k $\Omega$ resistor to V <sub>CC</sub> pulls the input high when unconnected (MAX9390). An internal 68k $\Omega$ resistor to GND pulls the input low when unconnected (MAX9391).
11	INB0	LVDS/HSTL (MAX9390) or LVPECL/CML (MAX9391) Noninverting Input. An internal 128k $\Omega$ resistor to V <sub>CC</sub> pulls the input high when unconnected (MAX9390). An internal 68k $\Omega$ resistor to GND pulls the input low when unconnected (MAX9391).
12	BSEL0	Input Select for B0 Output. Selects the differential input to reproduce at the B0 differential outputs. Connect BSEL0 to GND or leave open to select the INB0 ( $\overline{\text{INB0}}$ ) set of inputs. Connect BSEL0 to V <sub>CC</sub> to select the INB1 ( $\overline{\text{INB1}}$ ) set of inputs. An internal 435k $\Omega$ resistor pulls BSEL0 low when unconnected.
14	$\overline{\text{INB1}}$	LVDS/HSTL (MAX9390) or LVPECL/CML (MAX9391) Inverting Input. An internal 128k $\Omega$ resistor to V <sub>CC</sub> pulls the input high when unconnected (MAX9390). An internal 68k $\Omega$ resistor to GND pulls the input low when unconnected (MAX9391).
15	INB1	LVDS/HSTL (MAX9390) or LVPECL/CML (MAX9391) Noninverting Input. An internal 128k $\Omega$ resistor to V <sub>CC</sub> pulls the input high when unconnected (MAX9390). An internal 68k $\Omega$ resistor to GND pulls the input low when unconnected (MAX9391).
16	BSEL1	Input Select for B1 Output. Selects the differential input to reproduce at the B1 differential outputs. Connect BSEL1 to GND or leave open to select the INB0 ( $\overline{\text{INB0}}$ ) set of inputs. Connect BSEL1 to V <sub>CC</sub> to select the INB1 ( $\overline{\text{INB1}}$ ) set of inputs. An internal 435k $\Omega$ resistor pulls BSEL1 low when unconnected.

# Anything-to-LVDS Dual 2 x 2 Crosspoint Switches

## Pin Description (continued)

PIN	NAME	FUNCTION
17	ENA1	A1 Output Enable. Drive ENA1 high to enable the A1 LVDS outputs. An internal 435k $\Omega$ resistor pulls ENA1 low when unconnected.
18	$\overline{\text{OUTA1}}$	A1 LVDS Inverting Output. Connect a 100 $\Omega$ termination resistor between OUTA1 and $\overline{\text{OUTA1}}$ at the receiver inputs to ensure proper operation.
19	OUTA1	A1 LVDS Noninverting Output. Connect a 100 $\Omega$ termination resistor between OUTA1 and $\overline{\text{OUTA1}}$ at the receiver inputs to ensure proper operation.
21	ENA0	A0 Output Enable. Drive ENA0 high to enable the A0 LVDS outputs. An internal 435k $\Omega$ resistor pulls ENA0 low when unconnected.
22	$\overline{\text{OUTA0}}$	A0 LVDS Inverting Output. Connect a 100 $\Omega$ termination resistor between OUTA0 and $\overline{\text{OUTA0}}$ at the receiver inputs to ensure proper operation.
23	OUTA0	A0 LVDS Noninverting Output. Connect a 100 $\Omega$ termination resistor between OUTA0 and $\overline{\text{OUTA0}}$ at the receiver inputs to ensure proper operation.
26	INA0	LVDS/HSTL (MAX9390) or LVPECL/CML (MAX9391) Noninverting Input. An internal 128k $\Omega$ resistor to V <sub>CC</sub> pulls the input high when unconnected (MAX9390). An internal 68k $\Omega$ resistor to GND pulls the input low when unconnected (MAX9391).
27	$\overline{\text{INA0}}$	LVDS/HSTL (MAX9390) or LVPECL/CML (MAX9391) Inverting Input. An internal 128k $\Omega$ resistor to V <sub>CC</sub> pulls the input high when unconnected (MAX9390). An internal 68k $\Omega$ resistor to GND pulls the input low when unconnected (MAX9391).
28	ASEL0	Input Select for A0 Output. Selects the differential input to reproduce at the A0 differential outputs. Connect ASEL0 to GND or leave open to select the INA0 ( $\overline{\text{INA0}}$ ) set of inputs. Connect ASEL0 to V <sub>CC</sub> to select the INA1 ( $\overline{\text{INA1}}$ ) set of inputs. An internal 435k $\Omega$ resistor pulls ASEL0 low when unconnected.
30	INA1	LVDS/HSTL (MAX9390) or LVPECL/CML (MAX9391) Noninverting Input. An internal 128k $\Omega$ resistor to V <sub>CC</sub> pulls the input high when unconnected (MAX9390). An internal 68k $\Omega$ resistor to GND pulls the input low when unconnected (MAX9391).
31	$\overline{\text{INA1}}$	LVDS/HSTL (MAX9390) or LVPECL/CML (MAX9391) Inverting Input. An internal 128k $\Omega$ resistor to V <sub>CC</sub> pulls the input high when unconnected (MAX9390). An internal 68k $\Omega$ resistor to GND pulls the input low when unconnected (MAX9391).
32	ASEL1	Input Select for A1 Output. Selects the differential input to reproduce at the A1 differential outputs. Connect ASEL1 to GND or leave open to select the INA0 ( $\overline{\text{INA0}}$ ) set of inputs. Connect ASEL1 to V <sub>CC</sub> to select the INA1 ( $\overline{\text{INA1}}$ ) set of inputs. An internal 435k $\Omega$ resistor pulls ASEL1 low when unconnected.

# Anything-to-LVDS Dual 2 x 2 Crosspoint Switches

MAX9390/MAX9391

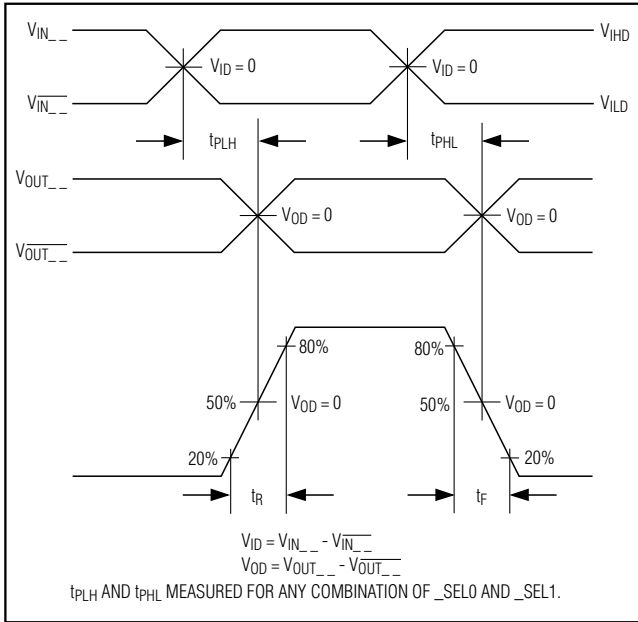


Figure 1. Output Transition Time and Propagation Delay Timing Diagram

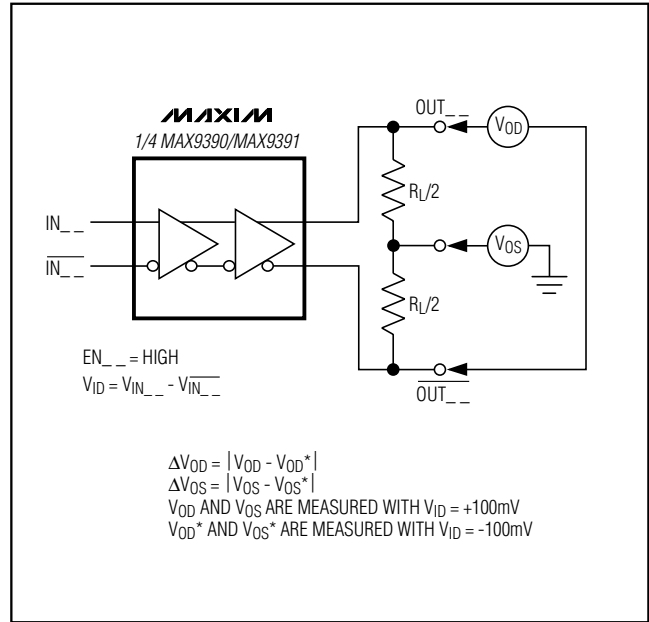


Figure 2. Test Circuit for  $V_{OD}$  and  $V_{OS}$

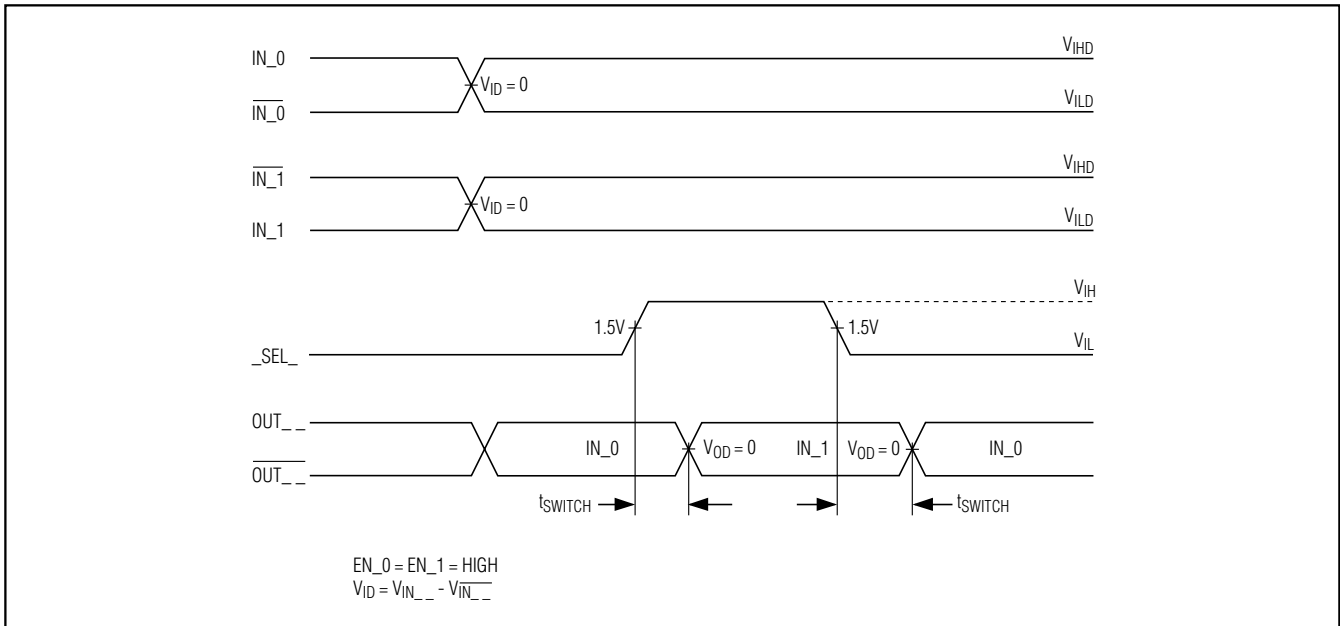


Figure 3. Input to Rising/Falling Edge Select and Mux Switch Timing Diagram

# Anything-to-LVDS Dual 2 x 2 Crosspoint Switches

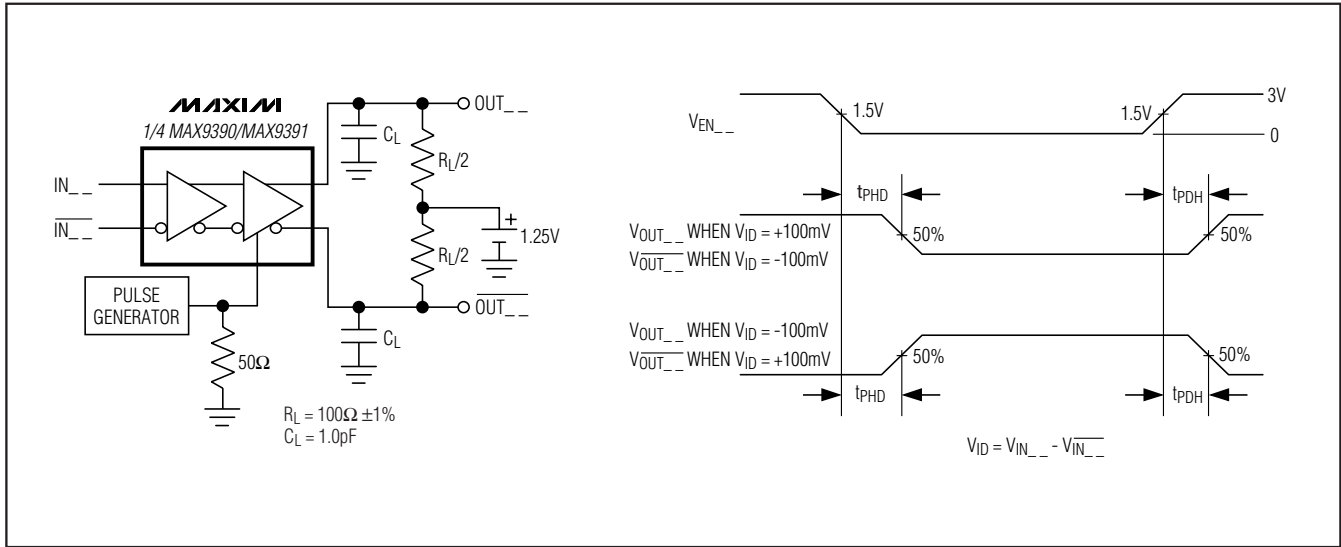


Figure 4. Output Active-to-Disable and Disable-to-Active Test Circuit and Timing Diagram

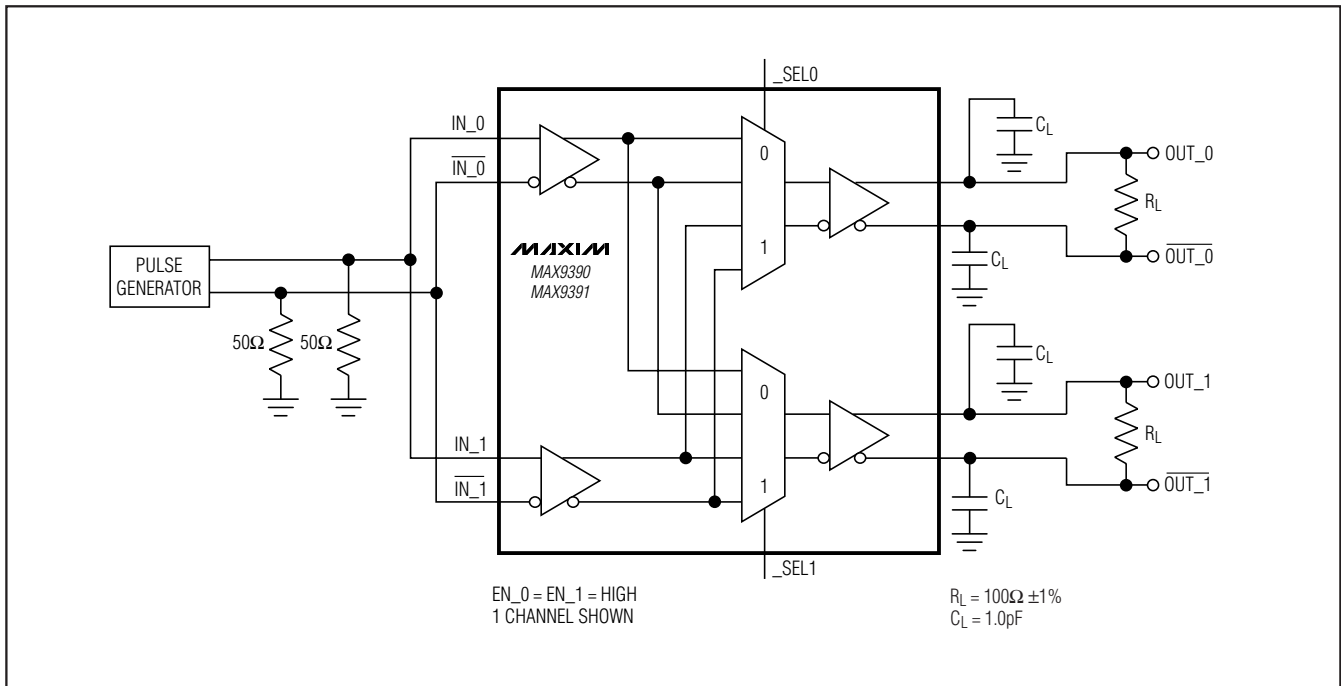


Figure 5. Output Transition Time, Propagation Delay, and Output Channel-to-Channel Skew Test Circuit



# Anything-to-LVDS Dual 2 x 2 Crosspoint Switches

MAX9390/MAX9391

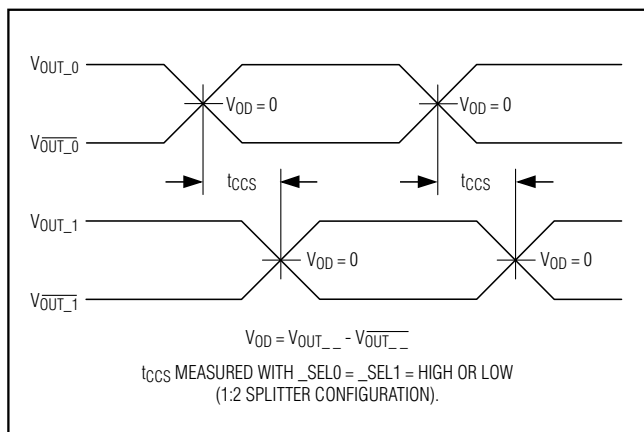


Figure 6. Output Channel-to-Channel Skew

## Detailed Description

The LVDS interface standard provides a signaling method for point-to-point communication over a controlled-impedance medium as defined by the ANSI TIA/EIA-644 standard. LVDS utilizes a lower voltage swing than other communication standards, achieving higher data rates with reduced power consumption, while reducing EMI emissions and system susceptibility to noise.

The MAX9390/MAX9391 1.5GHz dual 2 x 2 crosspoint switches optimize high-speed, low-power, point-to-point interfaces. The MAX9390 accepts LVDS and HSTL signals, while the MAX9391 accepts LVPECL and CML signals. Both devices route the input signals to either or both LVDS outputs.

When configured as a 1:2 splitter, the outputs repeat the selected inputs. This configuration creates copies of signals for protection switching. When configured as a repeater, the device operates as a two-channel buffer. Repeating restores signal amplitude, allowing isolation of media segments or longer media drive. When configured as a 2:1 mux, select primary or backup signals to provide a protection-switched, fault-tolerant application.

### Input Fail-Safe

The differential inputs of the MAX9390/MAX9391 possess internal fail-safe protection. Fail-safe circuitry forces the outputs to a differential low condition for undriven inputs or when the common-mode voltage exceeds the specified range. The MAX9390 provides high-level input fail-safe detection for LVDS, HSTL, and other GND-referenced differential inputs. The MAX9391 provides low-level input fail-safe detection for LVPECL, CML, and other VCC-referenced differential inputs.

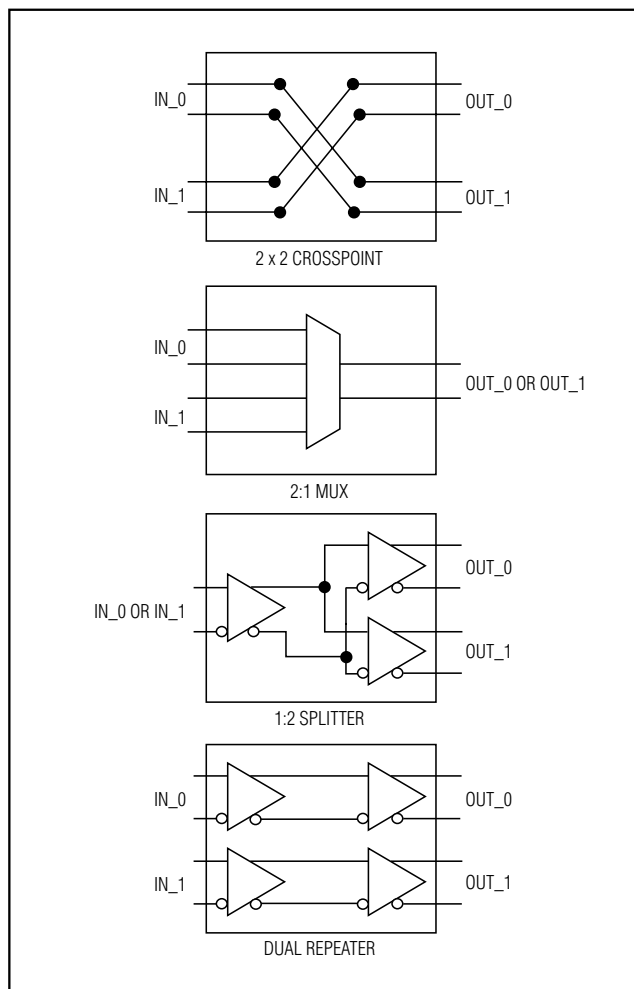


Figure 7. Programmable Configurations

### Select Function

The  $\_SEL\_$  logic inputs control the input and output signal connections. Two logic inputs control the signal routing for each channel.  $\_SEL0$  and  $\_SEL1$  allow the devices to be configured as a differential crosspoint switch, 2:1 mux, dual repeater, or 1:2 splitter (Figure 7). See Table 1 for mode-selection settings (insert A or B for the  $\_$ ). Channels A and B possess separate select inputs, allowing different configurations for each channel.

### Enable Function

The  $EN\_$  logic inputs enable and disable each set of differential outputs. Connect  $EN_0$  to VCC to enable the  $OUT_0/OUT_0$  differential output pair. Connect  $EN_0$  to GND to disable the  $OUT_0/OUT_0$  differential output pair. The differential output pairs assert to a differential low condition when disabled.

# Anything-to-LVDS Dual 2 x 2 Crosspoint Switches

Table 1. Input/Output Function Table

_SEL0	_SEL1	OUT_0 / $\overline{\text{OUT}}_0$	OUT_1 / $\overline{\text{OUT}}_1$	MODE
0	0	IN_0 / $\overline{\text{IN}}_0$	IN_0 / $\overline{\text{IN}}_0$	1:2 splitter
0	1	IN_0 / $\overline{\text{IN}}_0$	IN_1 / $\overline{\text{IN}}_1$	Repeater
1	0	IN_1 / $\overline{\text{IN}}_1$	IN_0 / $\overline{\text{IN}}_0$	Switch
1	1	IN_1 / $\overline{\text{IN}}_1$	IN_1 / $\overline{\text{IN}}_1$	1:2 splitter

## Applications Information

### Differential Inputs

The MAX9390/MAX9391 inputs accept any differential signaling standard within the specified common-mode voltage range. The fail-safe feature detects common-mode input signal levels and generates a differential output low condition for undriven inputs or when the common-mode voltage exceeds the specified range. Leave unused inputs unconnected or connect to VCC for the MAX9390 or to GND for the MAX9391.

### Differential Outputs

The output common-mode voltage is not properly established if the LVDS output is higher than 0.6V when the supply voltage is ramping up at power-on. This condition can occur when an LVDS output drives an LVDS input on the same chip. To avoid this situation for the MAX9390/MAX9391, connect a 10k $\Omega$  resistor from the noninverting output (OUT<sub>-</sub>) to ground, and connect a 10k $\Omega$  resistor from the inverting output ( $\overline{\text{OUT}}_-$ ) to ground. These pull-down resistors keep the output below 0.6V when the supply is ramping up (Figure 8).

### Expanding the Number of LVDS Output Ports

Cascade devices to make larger switches. Consider the total propagation delay and total jitter when determining the maximum allowable switch size.

### Power-Supply Bypassing

Bypass each VCC to GND with high-frequency surface-mount ceramic 0.1 $\mu\text{F}$  and 0.01 $\mu\text{F}$  capacitors in parallel as close to the device as possible. Install the 0.01 $\mu\text{F}$  capacitor closest to the device.

### Differential Traces

Input and output trace characteristics affect the performance of the MAX9390/MAX9391. Connect each input and output to a 50 $\Omega$  characteristic impedance trace. Maintain the distance between differential traces and eliminate sharp corners to avoid discontinuities in differential impedance and maximize common-mode noise immunity. Minimize the number of vias on the differential input and output traces to prevent impedance

discontinuities. Reduce reflections by maintaining the 50 $\Omega$  characteristic impedance through connectors and across cables. Minimize skew by matching the electrical length of the traces.

### Output Termination

Terminate LVDS outputs with a 100 $\Omega$  resistor between the differential outputs at the receiver inputs. LVDS outputs require 100 $\Omega$  termination for proper operation.

Ensure that the output currents do not exceed the current limits specified in the *Absolute Maximum Ratings*. Observe the total thermal limits of the MAX9390/MAX9391 under all operating conditions.

### Cables and Connectors

Use matched differential impedance for transmission media. Use cables and connectors with matched differential impedance to minimize impedance discontinuities. Avoid the use of unbalanced cables. Balanced cables such as twisted pair offer superior signal quality and tend to generate less EMI due to canceling effects.

### Board Layout

Use a four-layer printed circuit (PC) board providing separate signal, power, and ground planes for high-speed signaling applications. Bypass VCC to GND as close to the device as possible. Install termination resistors as close to receiver inputs as possible. Match the electrical length of the differential traces to minimize signal skew.

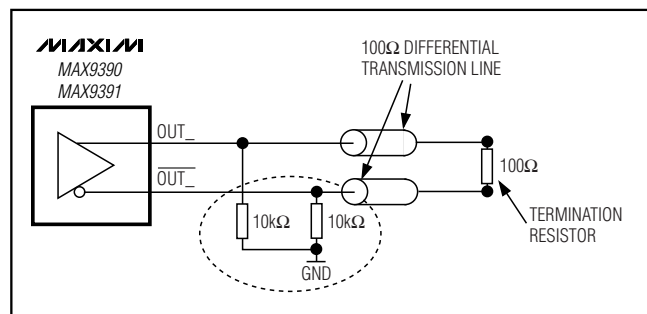
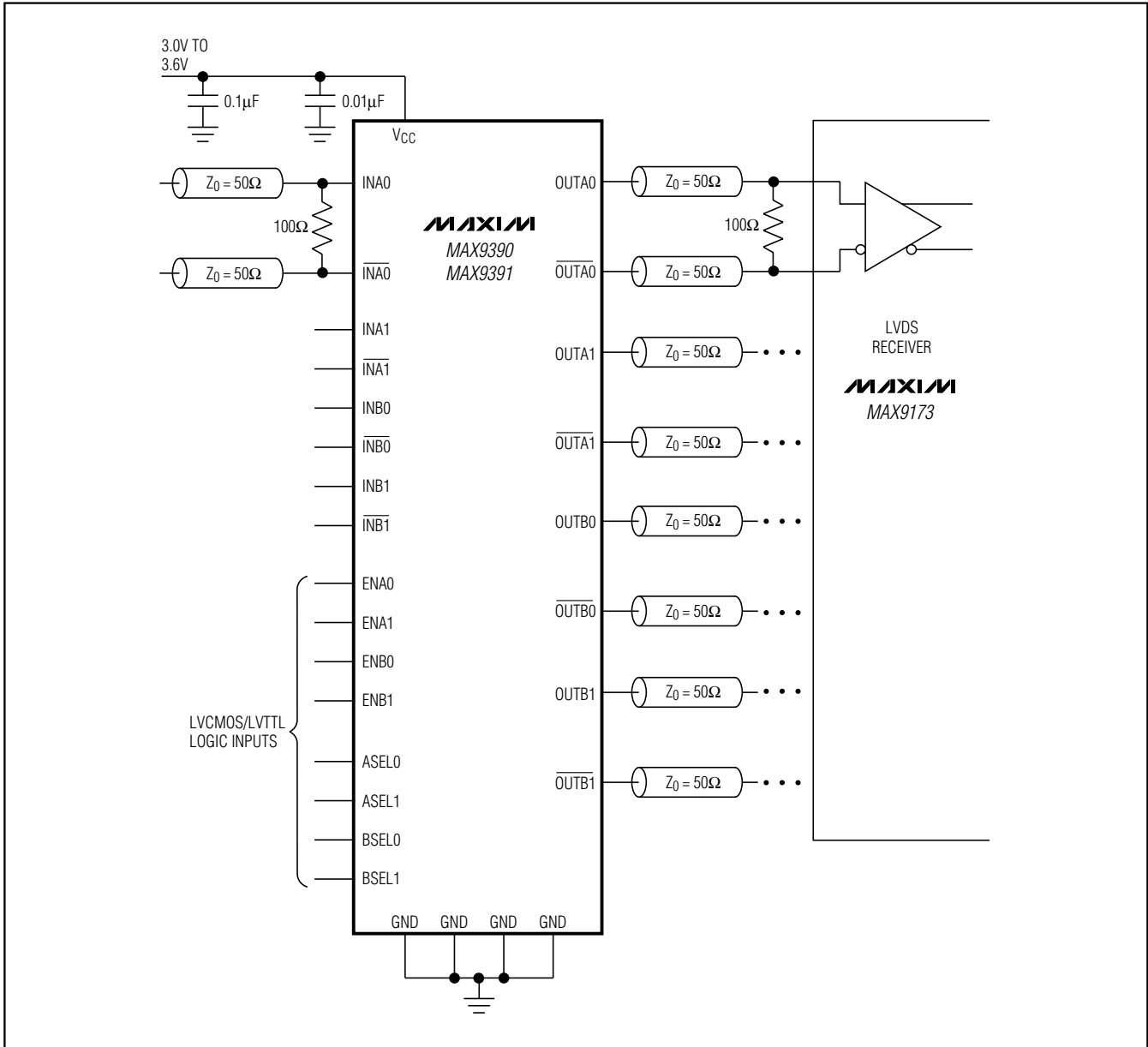


Figure 8. Pull-down Resistor Configuration for LVDS Outputs

# Anything-to-LVDS Dual 2 x 2 Crosspoint Switches

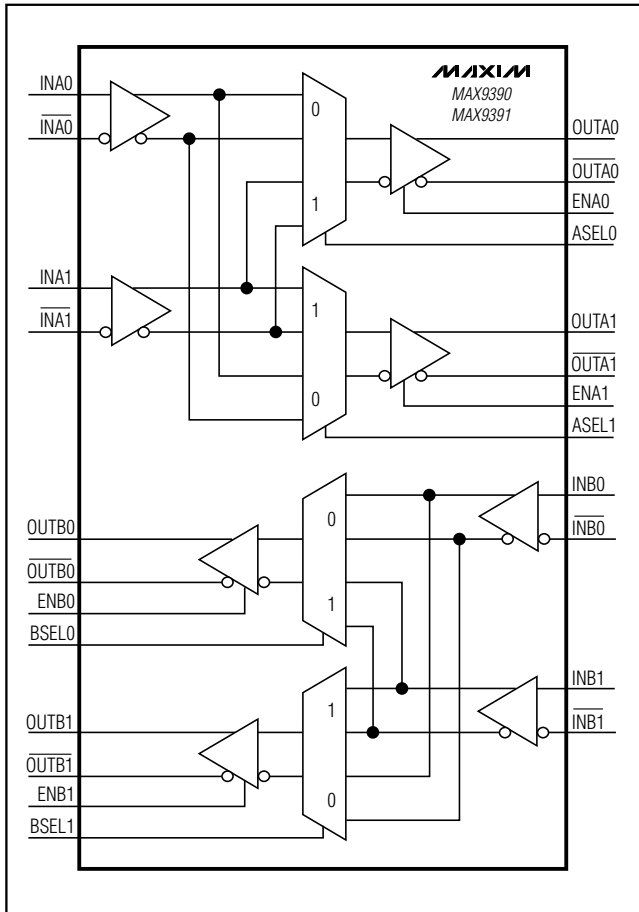
## Typical Operating Circuit

**MAX9390/MAX9391**



# Anything-to-LVDS Dual 2 x 2 Crosspoint Switches

## Functional Diagram



## Chip Information

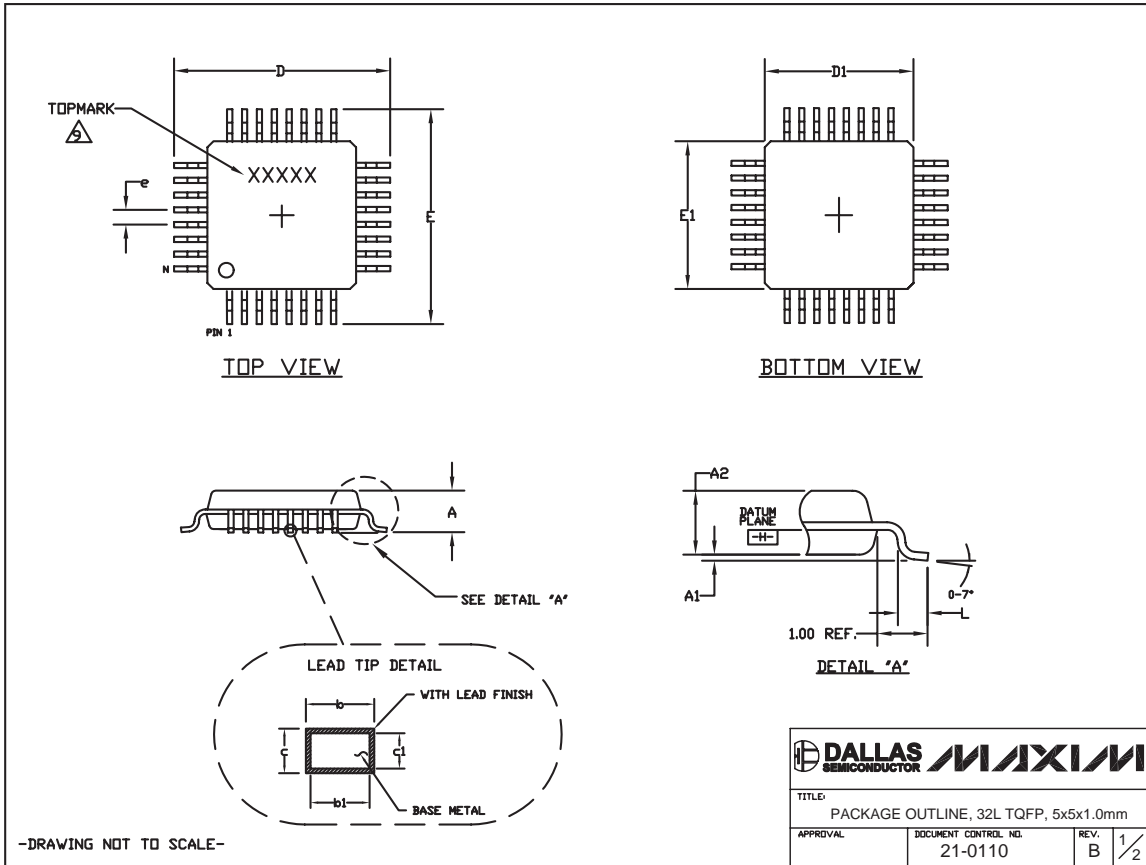
TRANSISTOR COUNT: 1565  
PROCESS: BIPOLAR

# Anything-to-LVDS Dual 2 x 2 Crosspoint Switches

## Package Information

(The package drawing(s) in this data sheet may not reflect the most current specifications. For the latest package outline information go to [www.maxim-ic.com/packages](http://www.maxim-ic.com/packages).)

MAX9390/MAX9391



# Anything-to-LVDS Dual 2 x 2 Crosspoint Switches

## Package Information (continued)


(The package drawing(s) in this data sheet may not reflect the most current specifications. For the latest package outline information go to [www.maxim-ic.com/packages](http://www.maxim-ic.com/packages).)

**NOTES:**

1. ALL DIMENSIONING AND TOLERANCING CONFORM TO ANSI Y14.5-1982.
2. DATUM PLANE  $\square$  IS LOCATED AT MOLD PARTING LINE AND COINCIDENT WITH LEAD, WHERE LEAD EXITS PLASTIC BODY AT BOTTOM OF PARTING LINE.
3. DIMENSIONS D1 AND E1 DO NOT INCLUDE MOLD PROTRUSION. ALLOWABLE MOLD PROTRUSION IS 0.25 MM ON D1 AND E1 DIMENSIONS.
4. THE TOP OF PACKAGE IS SMALLER THAN THE BOTTOM OF PACKAGE BY 0.15 MILLIMETERS.
5. DIMENSION b DOES NOT INCLUDE DAMBAR PROTRUSION. ALLOWABLE DAMBAR PROTRUSION SHALL BE 0.08 MM TOTAL IN EXCESS OF THE b DIMENSION AT MAXIMUM MATERIAL CONDITION.
6. ALL DIMENSIONS ARE IN MILLIMETERS.
7. THIS OUTLINE CONFORMS TO JEDEC PUBLICATION 95, REGISTRATION MS-026.
8. LEADS SHALL BE COPLANAR WITHIN .004 INCH.
9. TOPMARK SHOWN IS FOR PACKAGE ORIENTATION REFERENCE ONLY.

JEDEC VARIATIONS DIMENSIONS IN MILLIMETERS		
AAA		
5x5x1.0 MM		
	MIN.	MAX.
A	$\approx$	1.20
A <sub>1</sub>	0.05	0.15
A <sub>2</sub>	0.95	1.05
D	6.80	7.20
D <sub>1</sub>	4.80	5.20
E	6.80	7.20
E <sub>1</sub>	4.80	5.20
L	0.45	0.75
N	32	
e	0.50 BSC.	
b	0.17	0.27
b <sub>1</sub>	0.17	0.23
c	0.09	0.20
c <sub>1</sub>	0.09	0.16

-DRAWING NOT TO SCALE-

		
TITLE: PACKAGE OUTLINE, 32L TQFP, 5x5x1.0mm		
APPROVAL	DOCUMENT CONTROL NO. 21-0110	REV. B 2/2

## Revision History

Pages changed at Rev 2: 1-4, 6, 8, 10-14

Maxim cannot assume responsibility for use of any circuitry other than circuitry entirely embodied in a Maxim product. No circuit patent licenses are implied. Maxim reserves the right to change the circuitry and specifications without notice at any time.

14 **Maxim Integrated Products, 120 San Gabriel Drive, Sunnyvale, CA 94086 408-737-7600**