

THIS DRAWING IS UNPUBLISHED.

RELEASED FOR PUBLICATION

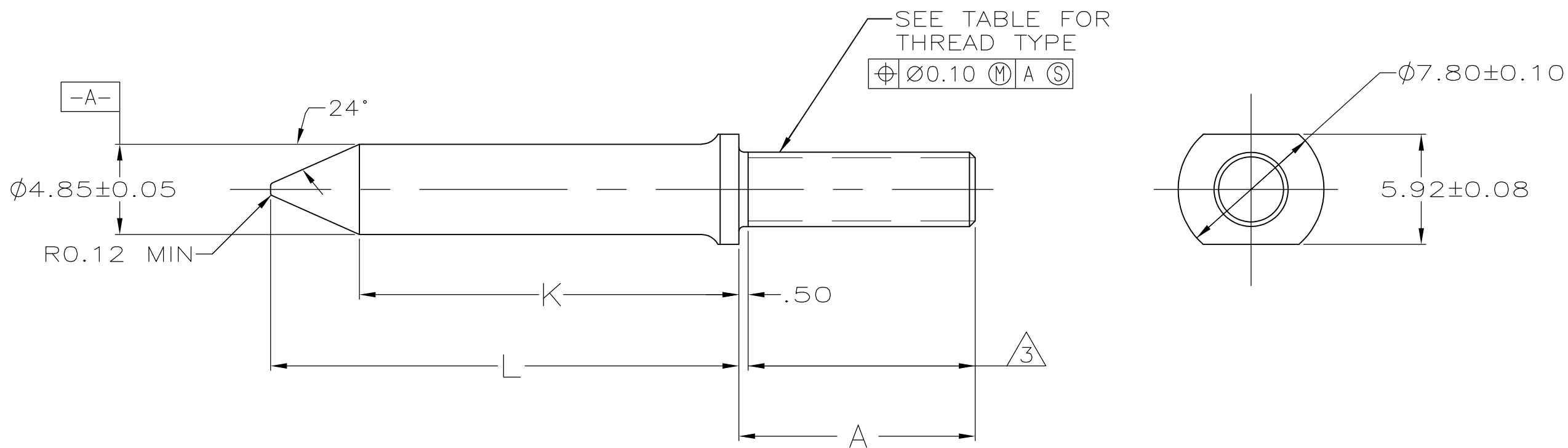
-. -. .

© COPYRIGHT - By -

ALL RIGHTS RESERVED.

LOC	DIST	REVISIONS					
AD	47	P	LTR	DESCRIPTION	DATE	DWN	APVD
		G1		REVISED PER ECO-11-004835	11MAR11	RK	HMR

- ① MATERIAL: STAINLESS STEEL.
- ② FINISH: PASSIVATE.
- ③ LOCTITE DRI-LOC 204 APPLIED IN THIS AREA.
- ④ RECOMMENDED P.C. BOARD DRILLED HOLE IS "B" DIAMETER.



31.25	26.48	4.25 ± 0.08	12.7	8-32 UNC 2A	1-223969-0
25.16	20.39	4.10 ± 0.08	9.2	M4 X 7-6G	223969-7
25.16	20.39	4.25 ± 0.08	12.7	8-32 UNC 2A	223969-4
25.16	20.39	4.10 ± 0.08	12.7	M4 X 7-6G	223969-1
L	K	④ "B" DIA	A	THREAD TYPE	PART NUMBER

THIS DRAWING IS A CONTROLLED DOCUMENT.		DWN	J.LOCONDRO	27MAR97	TE Connectivity			
DIMENSIONS: mm		CHK	R.W.ELICKER	27MAR97				
TOLERANCES UNLESS OTHERWISE SPECIFIED:		APVD	D.SINISI	27MAR97				
0 PLC ± - 1 PLC ± - 2 PLC ± 0.13 3 PLC ± - 4 PLC ± - ANGLES ± 0° 30'		NAME		GUIDE PIN, UNIVERSAL POWER MODULE				
MATERIAL	①	FINISH	② ③	PRODUCT SPEC	SIZE	CAGE CODE	DRAWING NO	RESTRICTED TO
				APPLICATION SPEC	A3	00779	C-223969	-
				WEIGHT	CUSTOMER DRAWING		SCALE	SHEET
							4:1	1 OF 1
							REV	G1