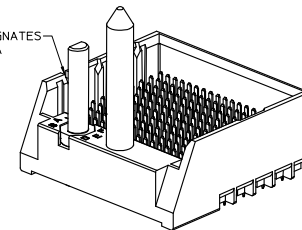


NOTES:

1. MATERIALS: HOUSING - LIQUID CRYSTAL POLYMER (LCP) GLASS-FILLED, UL94V-0  
TERMINALS - HIGH PERFORMANCE COPPER ALLOY
2. FINISH: 5 MICROINCH MINIMUM GOLD FLASH OVER 20 MICROINCH MINIMUM Pd-Ni IN CONTACT AREA, SELECTIVE TIN ON PCB TAILS, NICKEL OVERALL.
3. REFER TO MOLEX PRODUCT SPECIFICATION PS-76060-999 FOR PERFORMANCE SPECIFICATIONS AND ADDITIONAL PCB INFORMATION.
4. THIS PART CONFORMS TO CLASS B REQUIREMENTS OF MOLEX COSMETIC SPEC PS-45499-002.
5. PACKAGE PER: PK-70873-760
6. SEE SHEETS 2 & 3 FOR PART NUMBERS AND BOARD RELATIONSHIPS.
7. FOR GROUNDED GUIDE PINS USE DIA. 3.56 +/-0.08 (PTH) DIA. 3.66 (DRILL) AND DIA 6.5 (PAD).
8. MATES WITH IMPACT DC SERIES NO. 76150.
9. KEEP OUT ZONE FOR BP HOUSING LENGTH INCLUDES AN ADDITIONAL 1.0MM TO ACCOMMODATE FOR SPACE REQUIRED BY DC FRONT HOUSING.
10. REFER TO MOLEX PCB ROUTING GUIDE AS-76060-990 FOR ANTIPAD AND ROUTING RECOMMENDATIONS.
11. CONNECTORS SUPPLIED WITH A 2-56 UNC-2A SCREW.
12. THESE DIMENSIONS REPRESENT THE AREA NEEDED TO ACCOMMODATE CONNECTOR INSERTION AND REPAIR ON THE PC BOARD. THIS IS REFERRED TO AS THE 'CONNECTOR KEEP OUT ZONE' AND DOES NOT REPRESENT THE ACTUAL PERIMETER OF THE CONNECTOR. WHEN LAYING OUT A PC BOARD FOR CONNECTORS STACKED TOGETHER, USE A 1.9mm PROGRESSION.

Pd-Ni  
PLATING

NOTCH DESIGNATES  
ROW A



INITIAL RELEASE EC NO: UCP2016-2332 DRAWN BY: DRWNSVANG01 CHKD BY: CHYD-MWOLFE APPROVED BY: APPR-SMILLER	DESCRIPTION 2015/12/09 2015/12/09 2015/12/17	QUALITY SYMBOLS	GENERAL TOLERANCES (UNLESS SPECIFIED)	DIMENSION STYLE MM ONLY	SCALE 4:1	DESIGN UNITS METRIC	THIRD ANGLE PROJECTION														
		$\nabla=0$ $\nabla=0$ $\nabla=0$	<table border="1"> <tr> <th></th> <th>mm</th> <th>INCH</th> </tr> <tr> <td>4 PLACES</td> <td>±---</td> <td>±---</td> </tr> <tr> <td>3 PLACES</td> <td>±---</td> <td>±---</td> </tr> <tr> <td>2 PLACES</td> <td>±0.13</td> <td>±---</td> </tr> <tr> <td>1 PLACE</td> <td>±0.25</td> <td>±---</td> </tr> <tr> <td>0 PLACE</td> <td>±</td> <td>±---</td> </tr> </table>		mm	INCH	4 PLACES	±---	±---	3 PLACES	±---	±---	2 PLACES	±0.13	±---	1 PLACE	±0.25	±---	0 PLACE	±	±---
	mm	INCH																			
4 PLACES	±---	±---																			
3 PLACES	±---	±---																			
2 PLACES	±0.13	±---																			
1 PLACE	±0.25	±---																			
0 PLACE	±	±---																			
MATERIAL NO. SEE TABLE		DOCUMENT NO. RSD-173432-002		SHEET NO. 1 OF 3		THIS DRAWING CONTAINS INFORMATION THAT IS PROPRIETARY TO MOLEX INCORPORATED AND SHOULD NOT BE USED WITHOUT WRITTEN PERMISSION															

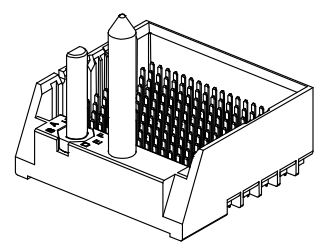
# PART NUMBER LOGIC

173432-\*\*\*\*

- MODULE TYPE
  - 3 = GUIDE LEFT, TIN
  - 7 = GUIDE LEFT END WALL, TIN
- # OF COLUMNS
  - 1 = 10 COL
  - 6 = 16 COL
  - 7 = 14 COL
- PIN LENGTH (P)
  - 3 = 4.50 (SHORT COMPLIANT, 0.46±0.05 PTH)
  - 4 = 4.90 (SHORT COMPLIANT, 0.46±0.05 PTH)
  - 5 = 5.50 (SHORT COMPLIANT, 0.46±0.05 PTH)
  - 6 = 4.50 (MICRO COMPLIANT, 0.39±0.05 PTH)
  - 7 = 4.90 (MICRO COMPLIANT, 0.39±0.05 PTH)
  - 8 = 5.50 (MICRO COMPLIANT, 0.39±0.05 PTH)
- KEY ORIENTATION
  - 0 = NO KEY
  - 1 = A
  - 2 = B
  - 3 = C
  - 4 = D
  - 5 = E
  - 6 = F
  - 7 = G
  - 8 = H

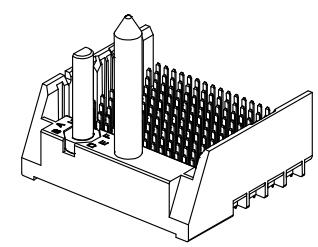
## PART NUMBER TABLE

MATERIAL NUMBER	# OF COLUMNS	# OF DIFF PAIR	DIM "A"	DIM "B"	GUIDE LEFT END WALL OPTION
173432-×1**	10	60	26.9	17.10	
173432-×7**	14	84	34.5	24.70	
173432-×6**	16	96	38.3	28.50	



GUIDE LEFT  
END WALL OPTION

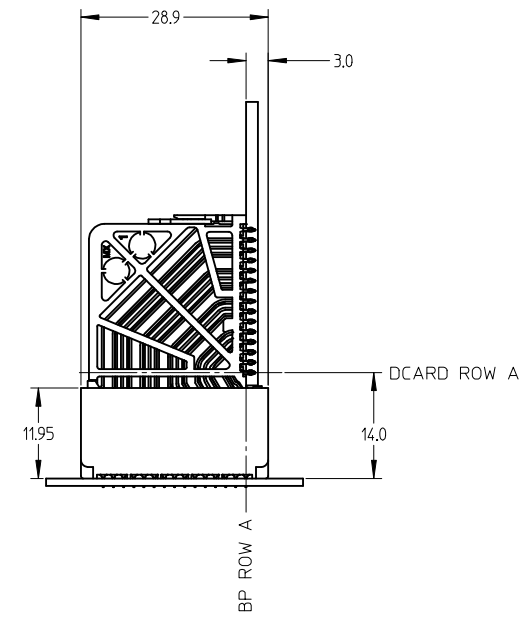
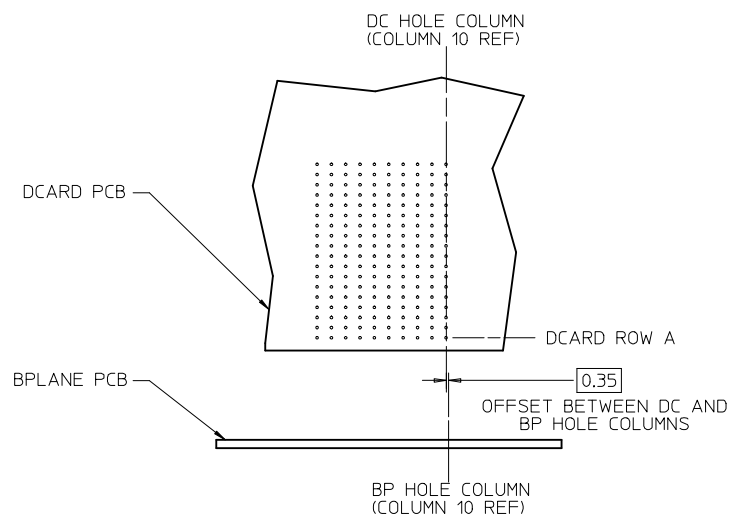
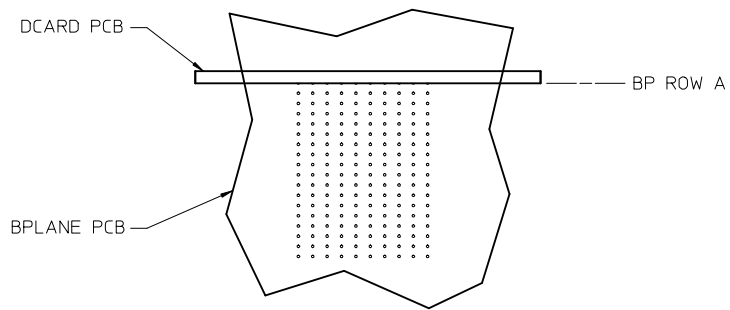
MATERIAL NUMBER	# OF COLUMNS	# OF DIFF PAIR	DIM "A"	DIM "B"	GUIDE LEFT OPEN WALL OPTION
173432-×1**	10	60	25.5	17.10	
173432-×7**	14	84	33.1	24.70	
173432-×6**	16	96	36.9	28.50	



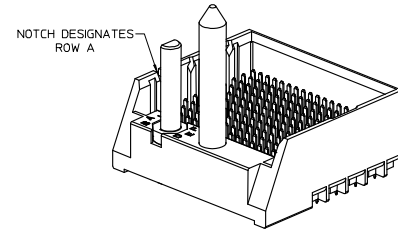
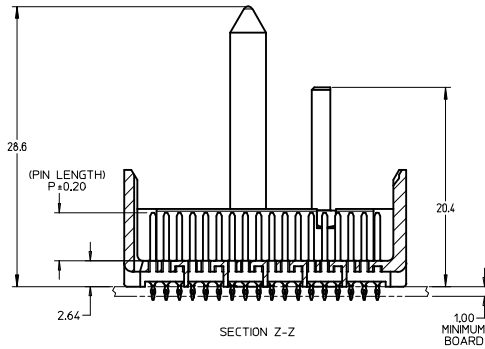
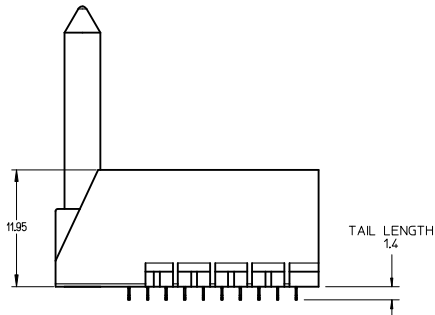
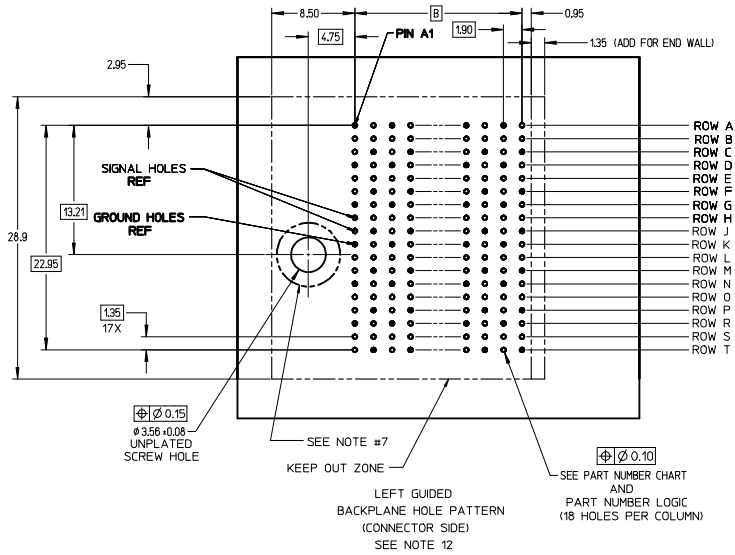
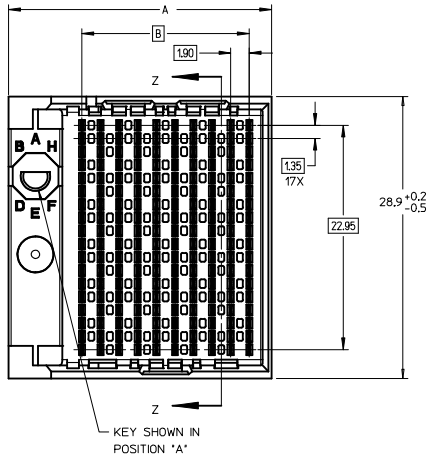
GUIDE LEFT  
OPEN WALL OPTION

SEE SHEET 1 EC NO: UCP2016-2332 DRWNSVANG01 2015/12/09 CHKD:MWOLFE 2015/12/09 APPR:SMILLER 2015/12/17	QUALITY SYMBOLS	GENERAL TOLERANCES (UNLESS SPECIFIED)	DIMENSION STYLE	SCALE	DESIGN UNITS	THIRD ANGLE PROJECTION
	▽=0	mm INCH	MM ONLY	2:1	METRIC	
	▽=0	4 PLACES ± --- ± ---	DRAWN BY DATE	TITLE <b>IMPACT 6 PAIR HEADER LEFT GUIDED PDNI ASSEMBLY SALES DRAWING</b>		
	▽=0	3 PLACES ± --- ± ---	SVANG01 2015/12/09			
	▽=0	2 PLACES ± 0.13 ± ---	CHECKED BY DATE			
	1 PLACE ± 0.25 ± ---	APPROVED BY DATE	DOCUMENT NO. <b>RSD-173432-002</b>			
	0 PLACE ± ±	SMILLER 2015/12/17				
	ANGULAR ±1/2°	DRAFT WHERE APPLICABLE MUST REMAIN WITHIN DIMENSIONS	SEE TABLE	SHEET NO. 2 OF 3		
			THIS DRAWING CONTAINS INFORMATION THAT IS PROPRIETARY TO MOLEX INCORPORATED AND SHOULD NOT BE USED WITHOUT WRITTEN PERMISSION	<b>molex</b>		

IMPACT 6 PAIR  
BOARD RELATIONSHIPS



SEE SHEET 1 EC NO: UCP2016-2332 DRWNSVANG01 2015/12/09 CHKD:MWOLFE 2015/12/09 APPR:SMILLER 2015/12/17	QUALITY SYMBOLS ▽=0 ▽=0 ▽=0	GENERAL TOLERANCES (UNLESS SPECIFIED) mm INCH 4 PLACES ± --- ± --- 3 PLACES ± --- ± --- 2 PLACES ± 0.13 ± --- 1 PLACE ± 0.25 ± --- 0 PLACE ± ±	DIMENSION STYLE MM ONLY DRAWN BY DATE SVANG01 2015/12/09 CHECKED BY DATE MWOLFE 2015/12/09 APPROVED BY DATE SMILLER 2015/12/17	SCALE 2:1 DESIGN UNITS METRIC THIRD ANGLE PROJECTION	TITLE IMPACT 6 PAIR HEADER LEFT GUIDED PDNI ASSEMBLY SALES DRAWING molex
	DESCRIPTION A	ANGULAR ±1/2° DRAFT WHERE APPLICABLE MUST REMAIN WITHIN DIMENSIONS	MATERIAL NO. SEE TABLE	DOCUMENT NO. RSD-173432-002	SHEET NO. 3 OF 3
	THIS DRAWING CONTAINS INFORMATION THAT IS PROPRIETARY TO MOLEX INCORPORATED AND SHOULD NOT BE USED WITHOUT WRITTEN PERMISSION				
	SIZE C				



- NOTES:
- MATERIALS: HOUSING - LIQUID CRYSTAL POLYMER (LCP)  
GLASS-FILLED, UL94V-0  
TERMINALS - HIGH PERFORMANCE COPPER ALLOY
  - FINISH: 30μ MIN GOLD IN CONTACT AREA.  
SELECTIVE TIN ON PCB TAILS.  
NICKEL OVERALL.
  - REFER TO MOLEX PRODUCT SPECIFICATION PS-76060-999  
FOR PERFORMANCE SPECIFICATIONS AND ADDITIONAL PCB INFORMATION.
  - THIS PART CONFORMS TO CLASS B REQUIREMENTS OF  
MOLEX COSMETIC SPEC PS-45499-002.
  - PACKAGE PER: PK-70873-760
  - SEE SHEETS 2 & 3 FOR PART NUMBERS AND BOARD RELATIONSHIPS.
  - FOR GROUNDED GUIDE PINS USE DIA. 3.56 +/-0.08 (PTH)  
DIA. 3.66 (DRILL) AND DIA 6.5 (PAD).
  - MATES WITH IMPACT DC SERIES NO. 76150.
  - KEEP OUT ZONE FOR BP HOUSING LENGTH INCLUDES AN ADDITIONAL 1.0MM  
TO ACCOMMODATE FOR SPACE REQUIRED BY DC FRONT HOUSING.
  - REFER TO MOLEX PCB ROUTING GUIDE AS-76060-990 FOR ANTI PAD AND ROUTING RECOMMENDATIONS.
  - CONNECTORS SUPPLIED WITH A 2-56 UNC-2A SCREW.
  - \*THESE DIMENSIONS REPRESENT THE AREA NEEDED TO ACCOMMODATE CONNECTOR INSERTION AND  
REPAIR ON THE PC BOARD. THIS IS REFERRED TO AS THE 'CONNECTOR KEEP OUT ZONE' AND  
DOES NOT REPRESENT THE ACTUAL PERIMETER OF THE CONNECTOR. WHEN LAYING OUT A PC BOARD  
FOR CONNECTORS STACKED TOGETHER, USE A 1.9mm PROGRESSION.\*

REVISED (MINOR) IEC NO: UCP2014-0887 DRAWN: BINGHAM CHKD: LAURX APPR: LAURX 2013/08/25 2013/08/25 2013/09/25	QUALITY SYMBOLS ∇=0 ∇=0 ∇=0	GENERAL TOLERANCES (UNLESS SPECIFIED)		DIMENSION STYLE MM ONLY		SCALE 4:1	DESIGN UNITS METRIC	THIRD ANGLE PROJECTION
		4 PLACES ±.05 mm 3 PLACES ±.03 mm 2 PLACES ±0.13 mm 1 PLACE ±0.25 mm 0 PLACE ±.00 mm	4 PLACES ±.0015 INCH 3 PLACES ±.0010 INCH 2 PLACES ±0.005 INCH 1 PLACE ±0.010 INCH 0 PLACE ±.0005 INCH	DRAWN BY MSANDBERG	DATE 2007/12/26	CHECKED BY JLAURX	DATE 2007/12/26	APPROVED BY JLAURX
G1	DRAFT WHERE APPLICABLE MUST REMAIN WITHIN DIMENSIONS	ANGULAR ±1/2°		SEE TABLE		MATERIAL NO.	DOCUMENT NO. SD-76145-002	SHEET NO. 1 OF 3

THIS DRAWING CONTAINS INFORMATION THAT IS PROPRIETARY TO MOLEX INCORPORATED AND SHOULD NOT BE USED WITHOUT WRITTEN PERMISSION

# PART NUMBER LOGIC

76145-\*\*\*\*

MODULE TYPE

- 3 = GUIDE LEFT, TIN
- 7 = GUIDE LEFT END WALL, TIN

PIN LENGTH (P)

- 3 = 4.50 (SHORT COMPLIANT, 0.46±0.05 PTH)
- 4 = 4.90 (SHORT COMPLIANT, 0.46±0.05 PTH)
- 5 = 5.50 (SHORT COMPLIANT, 0.46±0.05 PTH)
- 6 = 4.50 (MICRO COMPLIANT, 0.39±0.05 PTH)
- 7 = 4.90 (MICRO COMPLIANT, 0.39±0.05 PTH)
- 8 = 5.50 (MICRO COMPLIANT, 0.39±0.05 PTH)

# OF COLUMNS

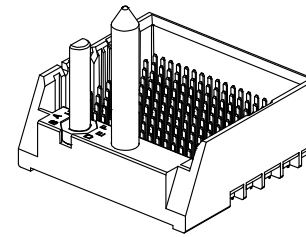
- 1 = 10 COL
- 6 = 16 COL
- 7 = 14 COL

KEY ORIENTATION

- 0 = NO KEY
- 1 = A
- 2 = B
- 3 = C
- 4 = D
- 5 = E
- 6 = F
- 7 = G
- 8 = H

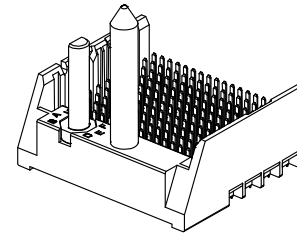
## PART NUMBER TABLE

MATERIAL NUMBER	# OF COLUMNS	# OF DIFF PAIR	DIM "A"	DIM "B"	GUIDE LEFT END WALL OPTION
76145-1**	10	60	26.9	17.10	
76145-7**	14	84	34.5	24.70	
76145-6**	16	96	38.3	28.50	



GUIDE LEFT  
END WALL OPTION

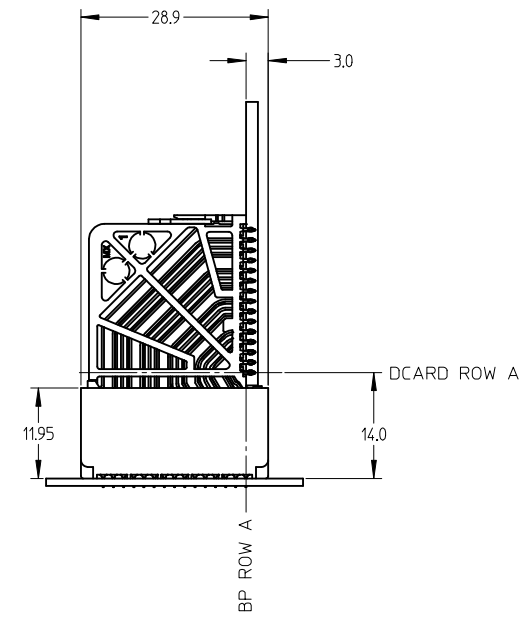
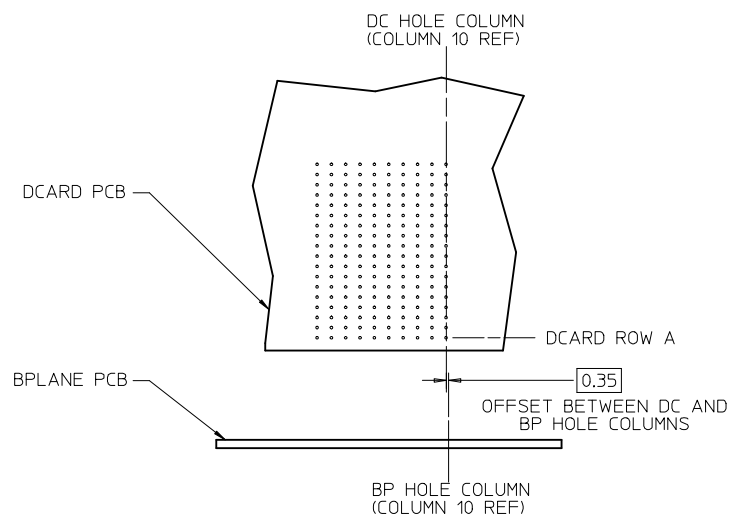
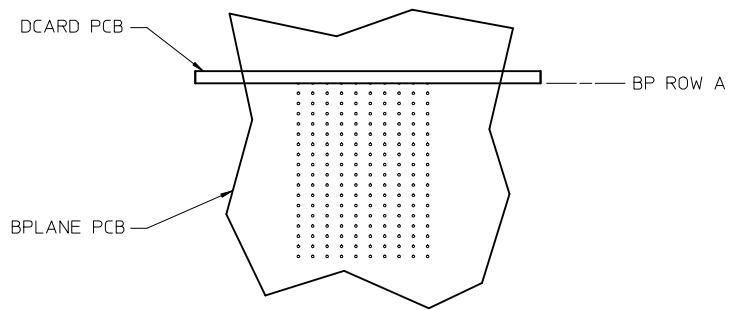
MATERIAL NUMBER	# OF COLUMNS	# OF DIFF PAIR	DIM "A"	DIM "B"	GUIDE LEFT OPEN WALL OPTION
76145-1**	10	60	25.5	17.10	
76145-7**	14	84	33.1	24.70	
76145-6**	16	96	36.9	28.50	



GUIDE LEFT  
OPEN WALL OPTION

SEE SHEET 1 IEC NO: UCP2014-0687 DRAWN: B INGHAM CHKD: JLAURX APPR: JLAURX	2013/08/25 2013/08/25 2013/09/25	DESCRIPTION ▽=0 ▽=0 ▽=0	QUALITY SYMBOLS	GENERAL TOLERANCES (UNLESS SPECIFIED)		DIMENSION STYLE <b>MM ONLY</b>		SCALE 2:1	DESIGN UNITS METRIC	THIRD ANGLE PROJECTION			
				4 PLACES	±	---	±	---	DRAWN BY MSANDBERG	DATE 2007/12/26	TITLE <b>IMPACT 6 PAIR HEADER LEFT GUIDED ASSEMBLY SALES DRAWING</b>  <b>molex</b>  DOCUMENT NO. <b>SD-76145-002</b>		
				3 PLACES	±	---	±	---	CHECKED BY JLAURX	DATE 2007/12/26			
				2 PLACES	±	0.13	±	---	APPROVED BY JLAURX	DATE 2010/02/22			
				1 PLACE	±	0.25	±	---	MATERIAL NO.				
0 PLACE	±		±		SIZE C								
				ANGULAR ±1/2°		SEE TABLE		SHEET NO. 2 OF 3					
				DRAFT WHERE APPLICABLE MUST REMAIN WITHIN DIMENSIONS		THIS DRAWING CONTAINS INFORMATION THAT IS PROPRIETARY TO MOLEX INCORPORATED AND SHOULD NOT BE USED WITHOUT WRITTEN PERMISSION							

IMPACT 6 PAIR  
BOARD RELATIONSHIPS



SEE SHEET 1 EC NO: UCP2014-0887 DRWN: BINGHAM 2013/08/25 CHKD: JLAURX 2013/08/25 APPR: JLAURX 2013/09/25	QUALITY SYMBOLS	GENERAL TOLERANCES (UNLESS SPECIFIED)	DIMENSION STYLE	SCALE	DESIGN UNITS	THIRD ANGLE PROJECTION
	▽=0	mm INCH	MM ONLY	2:1	METRIC	
	▽=0	4 PLACES ± --- ± ---	DRAWN BY DATE	TITLE		
	▽=0	3 PLACES ± --- ± ---	MSANDBERG 2007/12/26	IMPACT 6 PAIR HEADER LEFT GUIDED ASSEMBLY SALES DRAWING		
▽=0	2 PLACES ± 0.13 ± ---	CHECKED BY DATE	DOCUMENT NO.			
	1 PLACE ± 0.25 ± ---	JLAURX 2007/12/26	SD-76145-002			
	0 PLACE ± ±	APPROVED BY DATE	SHEET NO.			
	ANGULAR ±1/2°	JLAURX 2010/02/22	3 OF 3			
	DRAFT WHERE APPLICABLE MUST REMAIN WITHIN DIMENSIONS	MATERIAL NO.	THIS DRAWING CONTAINS INFORMATION THAT IS PROPRIETARY TO MOLEX INCORPORATED AND SHOULD NOT BE USED WITHOUT WRITTEN PERMISSION			
G1		SEE TABLE				