

NOTES:

- ① MAT'L: COPPER (STOCK TKN. $\frac{.031}{.031}$)
- ② PLATING: ELECTRO TIN (.0003 MIN)
- ③ TIN-PLATED BRASS FUNNEL FERRULE
- ⑤ NYLON INSULATION (COLOR CODED BLUE)

STUD SIZES: ($\pm .005$)

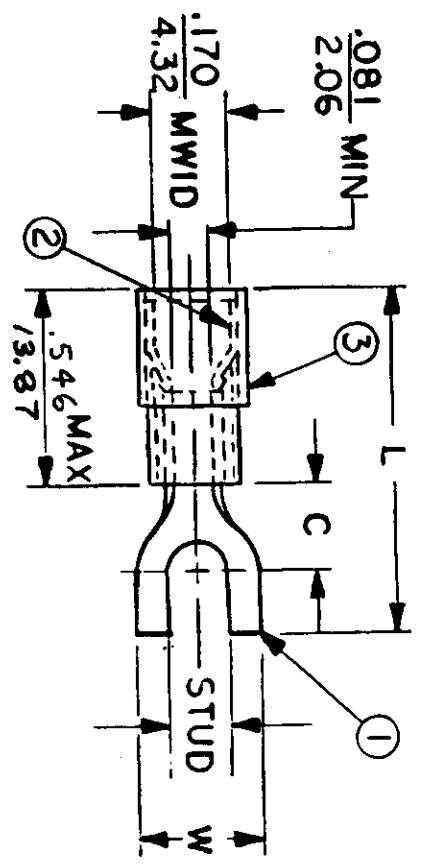
- 02 = .094
- 04 = .119
- 06 = .146
- 08 = .173
- 10 = .198
- 14 = .265
- 56 = .328
- 38 = .390

"UL" LISTING #E32244
 "CSA" LISTING #18689

WIRE SIZE: 16-14 AWG
 1.0-2.5 MM²

ALL DIMENSIONS = $\frac{\text{INCHES}}{\text{MM}}$

(MWID) = DENOTES MAXIMUM WIRE INSULATION DIAMETER



FILE NO. B-CD-503-02

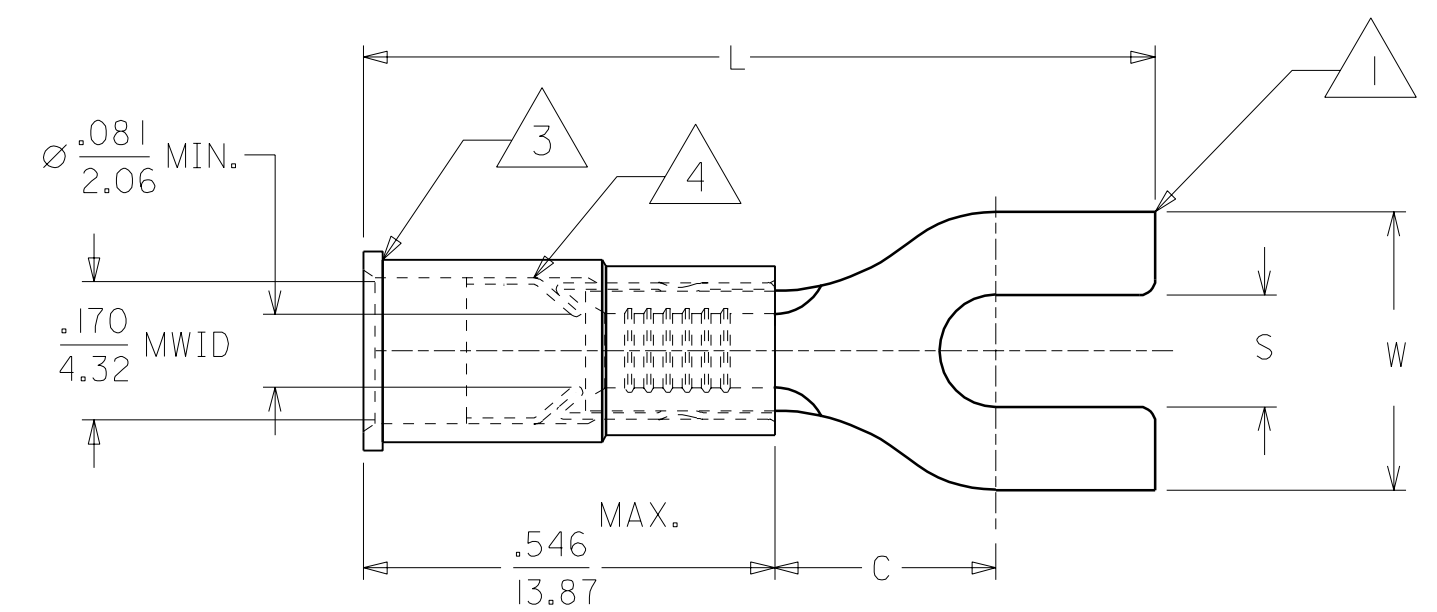
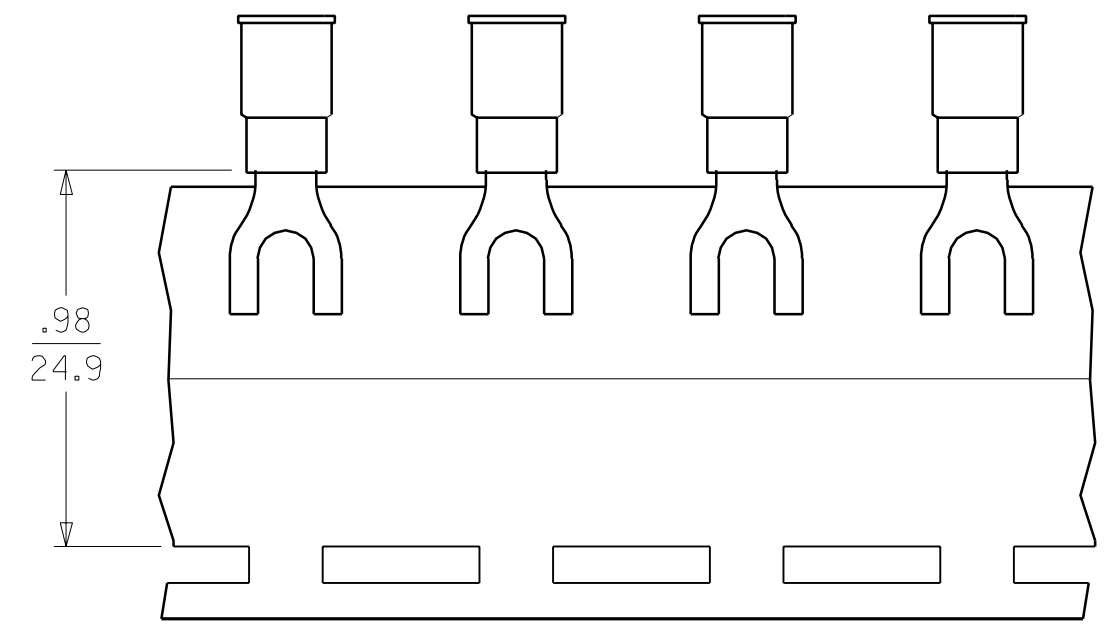
PART NUMBER	"W" $\pm .010$	"C" MIN.	"L" MAX.	AVAILABLE STUD SIZES
B-507-	$\frac{.245}{6.22}$	$\frac{.209}{5.31}$	$\frac{.930}{23.62}$	04, 06
B-524-	$\frac{.295}{7.49}$	$\frac{.211}{5.36}$	$\frac{.927}{23.55}$	04, 06, 08
B-527-	$\frac{.362}{9.19}$	$\frac{.269}{6.83}$	$\frac{1.062}{26.97}$	06, 08, 10

DIMENSIONAL TOLERANCES UNLESS OTHERWISE SPECIFIED		REFERENCE	SCALE: NTS	DATE	TITLE:
FRAC.	DEC.	ANG.	DRWN. BY: K.	11-12-84	SPADE TONGUE TERMINAL AVIKRIMP 500-SERIES
\pm	\pm	\pm	CHKD. BY: GZ	12-4-84	
			APPRD. BY:		



DWG. NO. A CUSTOMER DWG

	10	9	8	7	6	5			
	MATERIAL NUMBER	ALTERNATE NUMBER	STUD SIZE	"S" ±.005/(0.13)	"W" ±.010/(0.25)	"C"	"L"	PACKAGING	
F	191960024	B-507-04	4	.119/(3.02)	.245/(6.22)	.209/(5.31)	.930/(23.62)	LOOSE PIECE	
	191960026	B-507-06	6	.146/(3.71)	.245/(6.22)	.209/(5.31)	.930/(23.62)		
	191960030	B-524-04	4	.119/(3.02)	.295/(7.49)	.211/(5.36)	.927/(23.55)		
	191960032	B-524-06	6	.146/(3.71)	.295/(7.49)	.211/(5.36)	.927/(23.55)		
191960034	B-524-08	8	.173/(4.39)	.295/(7.49)	.211/(5.36)	.927/(23.55)			
191960037	B-527-06	6	.146/(3.71)	.362/(9.19)	.269/(6.83)	1.062/(26.97)			
191960039	B-527-08	8	.173/(4.39)	.388/(9.85)	.269/(6.83)	1.062/(26.97)			
191960041	B-527-10	10	.198/(5.03)	.388/(9.85)	.269/(6.83)	1.062/(26.97)			
E	191960025	B-507-04T	4	.119/(3.02)	.245/(6.22)	.209/(5.31)	.930/(23.62)		TAPE MOUNTED
	191960028	B-507-06T	6	.146/(3.71)	.245/(6.22)	.209/(5.31)	.930/(23.62)		
	191960031	B-524-04T	4	.119/(3.02)	.295/(7.49)	.211/(5.36)	.927/(23.55)		
	191960033	B-524-06T	6	.146/(3.71)	.295/(7.49)	.211/(5.36)	.927/(23.55)		
191960036	B-524-08T	8	.173/(4.39)	.295/(7.49)	.211/(5.36)	.927/(23.55)			
191960038	B-527-06T	6	.146/(3.71)	.362/(9.19)	.269/(6.83)	1.062/(26.97)			
191960040	B-527-08T	8	.173/(4.39)	.388/(9.85)	.269/(6.83)	1.062/(26.97)			
D	191960043	B-527-10T	10	.198/(5.03)	.388/(9.85)	.269/(6.83)	1.062/(26.97)		



- NOTES:
1. MATERIAL: COPPER .031/(.79) THICK.
 2. PLATING: ELECTRO-TIN.
 3. INSULATION: MOLDED NYLON (BLUE)
 4. TIN-PLATED BRASS FUNNEL FERRULE.
 5. ALL DIMENSIONS IN INCHES/(MM).
 6. MWID=MAXIMUM WIRE INSULATION DIAMETER.

CUSTOMER DRAWING

DIMENSIONS SHOWN (METRIC) INCH		REVISE ONLY ON CAD SYSTEM																					
UNLESS OTHERWISE SPECIFIED TOLERANCES: ANGULAR ± 1/2°		TITLE																					
		SPADE TONGUE TERMINAL																					
		16-14 AWG																					
		AVIKRIMP, 500-SERIES																					
<table border="1"> <thead> <tr> <th></th> <th>INCH</th> <th>METRIC</th> </tr> </thead> <tbody> <tr> <td>3 PLACE</td> <td>± .005</td> <td>± ---</td> </tr> <tr> <td>2 PLACE</td> <td>± .01</td> <td>± 0.13</td> </tr> <tr> <td>1 PLACE</td> <td>± ---</td> <td>± 0.25</td> </tr> </tbody> </table>			INCH	METRIC	3 PLACE	± .005	± ---	2 PLACE	± .01	± 0.13	1 PLACE	± ---	± 0.25	<table border="1"> <tr> <td colspan="2">molex ETC INC.</td> <td>SHEET NO.</td> <td>DATE</td> </tr> <tr> <td colspan="2">PINELLAS PARK, FLA. 33781 U.S.A.</td> <td>1 OF 1</td> <td>99/11/12</td> </tr> </table>		molex ETC INC.		SHEET NO.	DATE	PINELLAS PARK, FLA. 33781 U.S.A.		1 OF 1	99/11/12
	INCH	METRIC																					
3 PLACE	± .005	± ---																					
2 PLACE	± .01	± 0.13																					
1 PLACE	± ---	± 0.25																					
molex ETC INC.		SHEET NO.	DATE																				
PINELLAS PARK, FLA. 33781 U.S.A.		1 OF 1	99/11/12																				
DRAFT WHERE APPLICABLE MUST REMAIN WITHIN DIMENSIONS		PART NO.																					
		SEE TABLE																					
		DRWG. NO.																					
		SD-19196-001																					
DRWG. BY	HEB	CHK'D. BY	RWD																				
APP'D. BY	RWD	SCALE	4: 1																				
FILE NAME		THIS DRAWING CONTAINS INFORMATION THAT IS PROPRIETARY TO MOLEX-ETC INC. AND SHOULD NOT BE USED WITHOUT WRITTEN PERMISSION.																					
19196001 DGN		DIV. ET																					
		SIZE B																					

A	VOIDS B-CD-503-02 ETC1999-0055 1999/11/12 HEB
LTR.	REVISIONS